



Fluid control components

Couplings



About

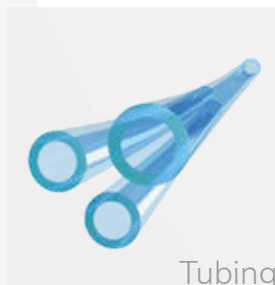
Eox supplies customers around the world with a unique portfolio of fittings, couplings, tubing, check valves and other miniature fluid control components.

Full technical data and documentation is available for every product including downloadable 3D CAD drawings. Eox offers a wide range of off-the-shelf products complete with the correct seals and material specifications suitable for medical and scientific applications.

Our commitment to you...

- Our commitment to offering high standards of products and services as well as aftercare, are what make Eox stand out from other miniature fluid component companies
- With a secure online environment, ability to view previous purchases and quick order function - it couldn't be easier to purchase from Eox
- We have an in-house sales team who will be happy to answer your product questions and suggest alternatives if you can't find what you are looking for
- Solidworks trained engineers - we have a team of in-house trained engineers ready to help with your project
- Local distributors - we have Eox distributors for the UK and Australia
- Sample kits available - we offer a range of sample kits

Our Products



What are Couplings?

Couplings are fittings designed for changing out lines quickly and easily. They are made to be connected and disconnected without the use of tools, or losing product.

Our miniature couplings range is available in a wide variety of metal and plastic materials. Coupling specification options include selectable mounting type and connection type with many of our couplings range available with valve and non-valve flow control.

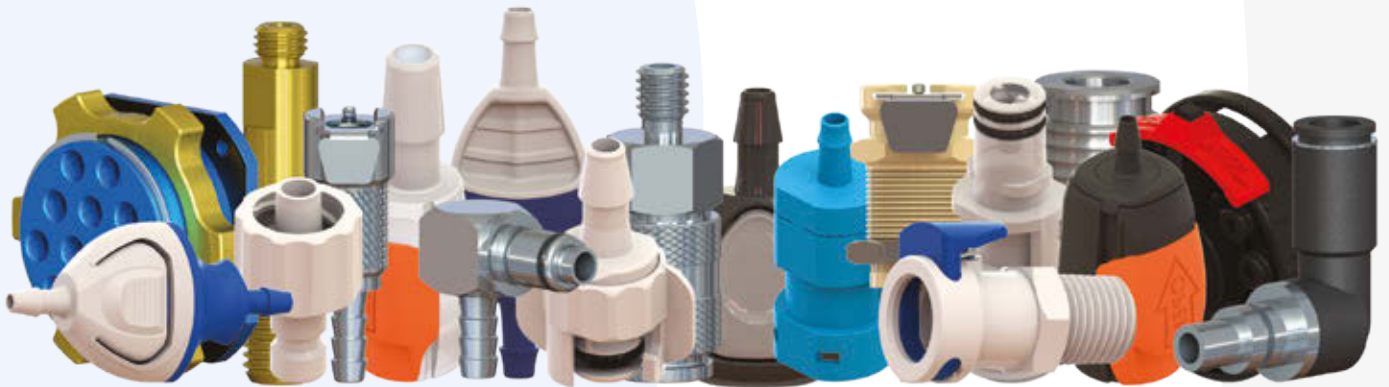
Plastic Material Options:

- ABS
- Acetal
- Nylon
- Polycarbonate
- Polypropylene

Metal Material Options:

- Aluminium
- Natural Brass
- Chrome Plated Brass
- Stainless Steel

We have three mounting style options including In-Line, Panel Mount and Threaded. Mating options for our range of couplings include thumb latch, twist lock, side latch, multiple bulkhead, plastic luer, blood pressure and enteral feeding couplings.



Index

Plastic Couplings



Thumb Latch.....Page 6



Twist Lock.....Page 56



Sliding Latch.....Page 80



Blood Pressure.....Page 88



Multiple Bulkhead.....Page 96



Thumb Latch.....Page 102



Sliding Collar.....Page 120



Multiple Bulkhead.....Page 136



Screw Type.....Page 144

Thumb Latch



Key features include:

- Audible click to ensure secure connection
- One-handed disconnection
- Easy to grip during operation
- Available in various mounting styles
- Medical grade material options available
- Connects with other thumb-latch type couplings
- Valved/Non-Valved options available
- Resistant to most chemicals and suitable for industrial and medical applications

What is a Plastic Thumb Latch?

Thumb latch couplings are operated by means of a mechanical latch on the female coupling. This allows for one-handed connection and disconnection of the female and male halves. An audible 'click' confirms when the couplings are fully connected, providing a safe and secure connection. Once couplings are connected unrestricted free rotation prevents kinking and twisting of tubing/termination.

Eox guarantees that its thumb latch couplings will interconnect with all pre-existing industry standard interchangeable thumb latch couplings that are deemed of the same size and style.

Operating Pressure:

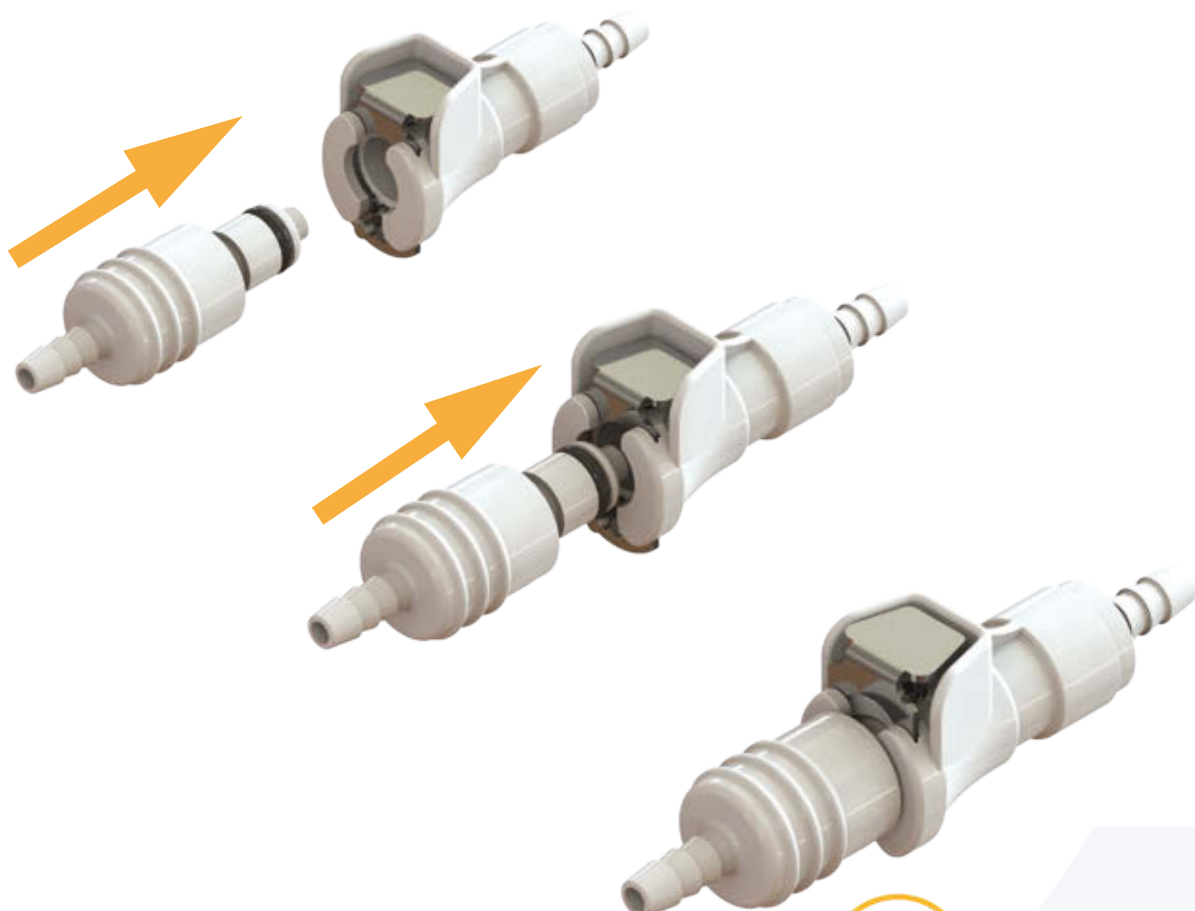
Plastic: Vacuum to 120 psi (8.3 bar)

Material Options:

Body: Acetal (POM), Polypropylene, Polysulfone

O-rings: Buna and Peroxide-Cured EPDM as standard - Viton, Silicone and Medical/Food Grade

O-ring materials available on request

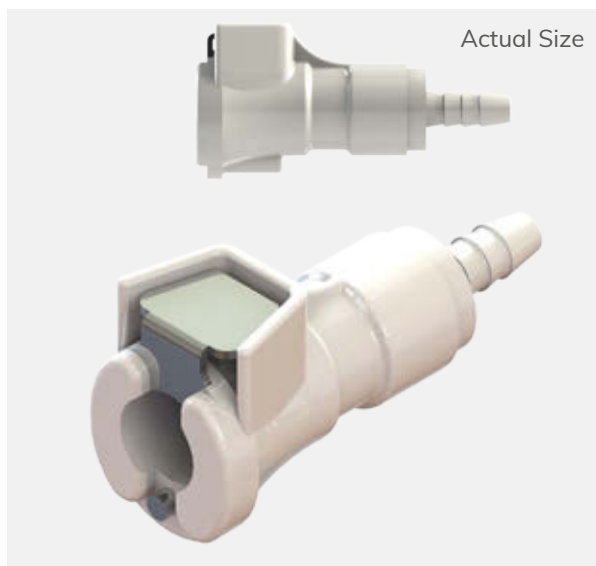


Audible click when connected

Please note - Interconnect guarantee is for Q2 and Q4 series PP, SS316, CB and Acetal range only

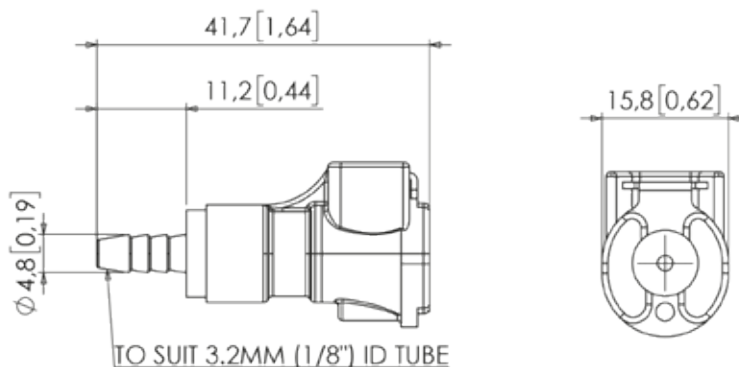
Plastic Thumb Latch - Acetal - Q2 Series Couplings

E-Q-160399 - Acetal Socket Coupling, 1/8" (3.2mm) ID Tube, Non-Valved, 1/8" Flow



Technical Data

Max. Inlet Pressure: 8.3 bar (120 psi)
Connection 1: 1/8" (3.2mm) ID Tube
Connection 2: To mating Q2 Plug Connector
Mounting Style: In-Line
Wetted Materials: Acetal
Non-wetted Materials: Acetal, Stainless Steel
Media/Ambient Temperature: -40°C to 82°C (-40°F to 180°F)
Recommended Filtration: Depending on application
RoHS/REACH Compliant: Yes
Other Technical Data: Connects with Q2 Couplings. This product is guaranteed to interconnect with all pre-existing industry standard interchangeable thumb-latch quick release couplings of the same size and style, or if not will be replaced or refunded. Suitable for bi-directional flow.



Price starting from: £2.83

*Price breaks available for larger quantities

● Connects with Q2 Series Plugs

More from this range



1/8" NPT
Threaded
E-Q-160394



1/4" NPT
Threaded
E-Q-160396



1/8" BSPT
Threaded
E-Q-160395



1/4" BSPT
Threaded
E-Q-160397



4.0mm OD/2.5mm ID
In-Line
E-Q-160408



6.4mm OD/4.3mm ID
In-Line
E-Q-160409



4.0mm OD/2.5mm ID
Panel Mount
E-Q-160406



6.4mm OD/4.3mm ID
Panel Mount
E-Q-160407

E-Q-160403 - Acetal Panel Mount Socket Coupling, 1/8" (3.2mm) ID Tube, Non-Valved, 1/8" Flow

Technical Data

Max. Inlet Pressure: 8.3 bar (120 psi)

Connection 1: 1/8" (3.2mm) ID Tube

Connection 2: To mating Q2 Plug Connector

Mounting Style: Panel Mount

Wetted Materials: Acetal

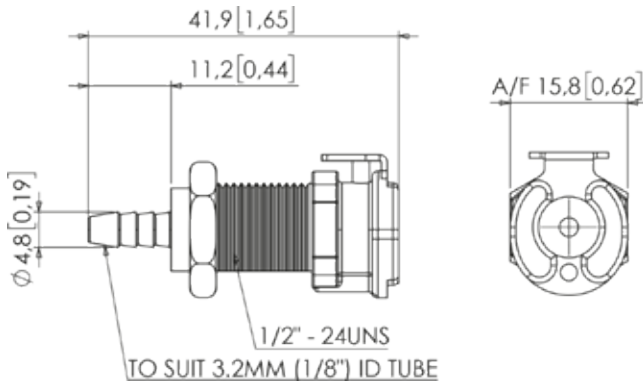
Non-wetted Materials: Acetal, Nickel Plated Brass, Stainless Steel

Media/Ambient Temperature: -40°C to 82°C (-40°F to 180°F)

Recommended Filtration: Depending on application

RoHS/REACH Compliant: Yes

Other Technical Data: Connects with Q2 Couplings. This product is guaranteed to interconnect with all pre-existing industry standard interchangeable thumb-latch quick release couplings of the same size and style, or if not will be replaced or refunded. Suitable for bi-directional flow.



Price starting from: £6.19

*Price breaks available for larger quantities

● Connects with Q2 Series Plugs

More from this range



1/16" ID
Panel Mount
E-Q-160402



3/16" ID
Panel Mount
E-Q-160404



1/4" ID
Panel Mount
E-Q-160405



1/16" ID
In-Line
E-Q-160398



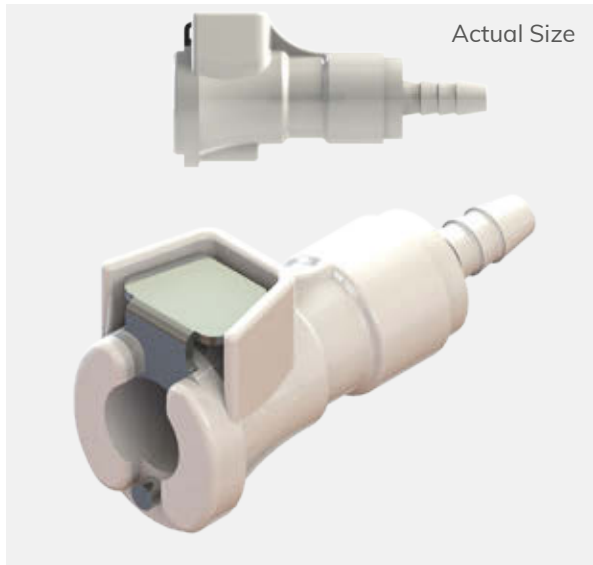
3/16" ID
In-Line
E-Q-160400



1/4" ID
In-Line
E-Q-160401

Plastic Thumb Latch - Acetal - Q2 Series Couplings

E-Q-160416 - Acetal Socket Coupling, Buna-N Seal, 1/8" (3.2mm) ID Tube, Valved, 1/8" Flow



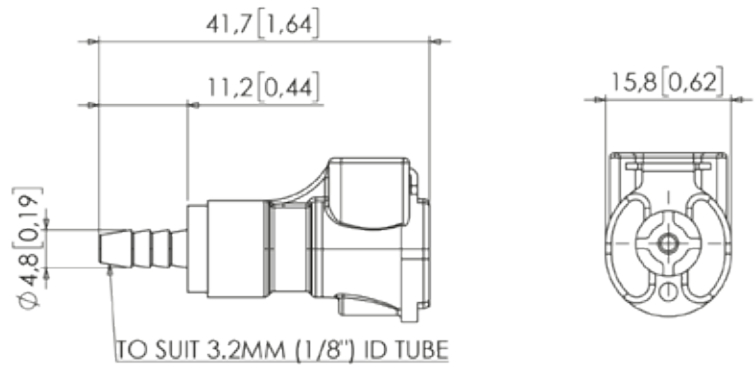
Technical Data

Max. Inlet Pressure: 8.3 bar (120 psi)
Connection 1: 1/8" (3.2mm) ID Tube
Connection 2: To mating Q2 Plug Connector
Mounting Style: In-Line
Wetted Materials: Acetal, 316 Stainless Steel, Buna-N
Non-wetted Materials: Acetal, Stainless Steel
Media/Ambient Temperature: -40°C to 82°C (-40°F to 180°F)
Recommended Filtration: Depending on application
RoHS/REACH Compliant: Yes
Other Technical Data: Connects with Q2 Couplings. This product is guaranteed to interconnect with all pre-existing industry standard interchangeable thumb-latch quick release couplings of the same size and style, or if not will be replaced or refunded. Suitable for bi-directional flow.

Price starting from: £5.14

*Price breaks available for larger quantities

● Connects with Q2 Series Plugs



More from this range



6.4mm OD/4.3mm ID
In-Line
E-Q-160426



4.0mm OD/2.5mm ID
Panel Mount
E-Q-160423



6.4mm OD/4.3mm ID
Panel Mount
E-Q-160424



1/8" NPT
Threaded
E-Q-160411



1/4" NPT
Threaded
E-Q-160413



1/8" BSPT
Threaded
E-Q-160412



1/4" BSPT
Threaded
E-Q-160414

E-Q-160420 - Acetal Panel Mount Socket Coupling, Buna-N Seal, 1/8" (3.2mm) ID Tube, Valved, 1/8" Flow

Technical Data

Max. Inlet Pressure: 8.3 bar (120 psi)

Connection 1: 1/8" (3.2mm) ID Tube

Connection 2: To mating Q2 Plug Connector

Mounting Style: Panel Mount

Wetted Materials: Acetal, 316 Stainless Steel, Buna-N

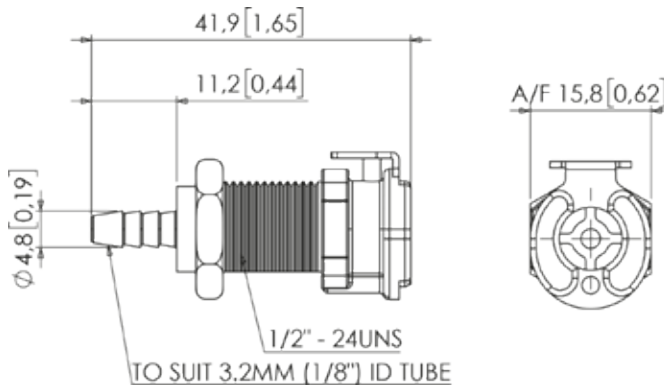
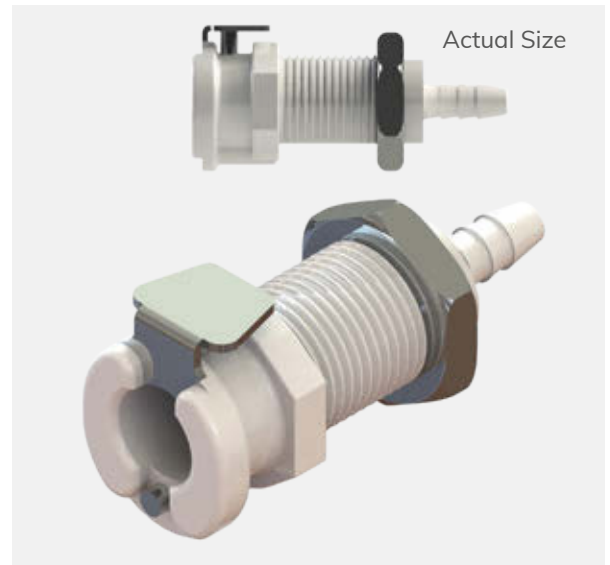
Non-wetted Materials: Acetal, Nickel Plated Brass, Stainless Steel

Media/Ambient Temperature: -40°C to 82°C (-40°F to 180°F)

Recommended Filtration: Depending on application

RoHS/REACH Compliant: Yes

Other Technical Data: Connects with Q2 Couplings. This product is guaranteed to interconnect with all pre-existing industry standard interchangeable thumb-latch quick release couplings of the same size and style, or if not will be replaced or refunded. Suitable for bi-directional flow.



Price starting from: **£7.12**

*Price breaks available for larger quantities

● Connects with Q2 Series Plugs

More from this range



1/16" ID
Panel Mount
E-Q-160419



3/16" ID
Panel Mount
E-Q-160421



1/4" ID
Panel Mount
E-Q-160422



1/16" ID
In-Line
E-Q-160415



3/16" ID
In-Line
E-Q-160417



1/4" ID
In-Line
E-Q-160418

Plastic Thumb Latch - Acetal - Q2 Series Couplings

E-Q-160433 - Acetal Plug Coupling, Buna-N Seal, 1/8" (3.2mm) ID Tube, Non-Valved, 1/8" Flow



Technical Data

Max. Inlet Pressure: 8.3 bar (120 psi)

Connection 1: 1/8" (3.2mm) ID Tube

Connection 2: To mating Q2 Socket Connector

Mounting Style: In-Line

Wetted Materials: Acetal

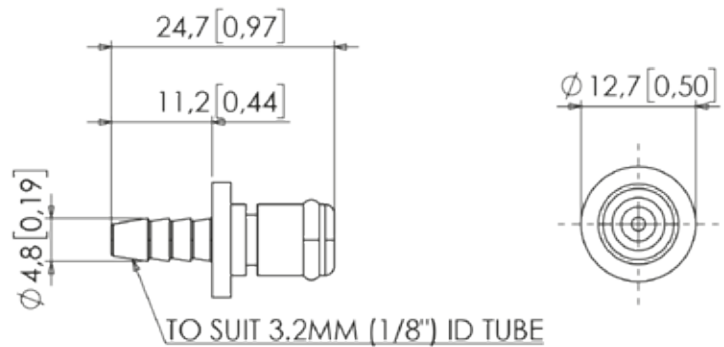
Non-wetted Materials: Acetal

Media/Ambient Temperature: -40°C to 82°C (-40°F to 180°F)

Recommended Filtration: Depending on application

RoHS/REACH Compliant: Yes

Other Technical Data: Connects with Q2 Couplings. This product is guaranteed to interconnect with all pre-existing industry standard interchangeable thumb-latch quick release couplings of the same size and style, or if not will be replaced or refunded. Suitable for bi-directional flow.



Price starting from: £0.90

*Price breaks available for larger quantities

● Connects with Q2 Series Sockets

More from this range



1/16" ID
In-Line
E-Q-160432



3/16" ID
In-Line
E-Q-160434



1/4" ID
In-Line
E-Q-160435



6.4mm OD/4.3mm ID
In-Line
E-Q-160444



4.0mm OD/2.5mm ID
In-Line
E-Q-160443

E-Q-160440 - Acetal Elbow Plug Coupling, Buna-N Seal, 1/8" (3.2mm) ID Tube, Non-Valved, 1/8" Flow

Technical Data

Max. Inlet Pressure: 8.3 bar (120 psi)

Connection 1: 1/8" (3.2mm) ID Tube

Connection 2: To mating Q2 Socket Connector

Mounting Style: In-Line

Wetted Materials: Acetal, Buna-N

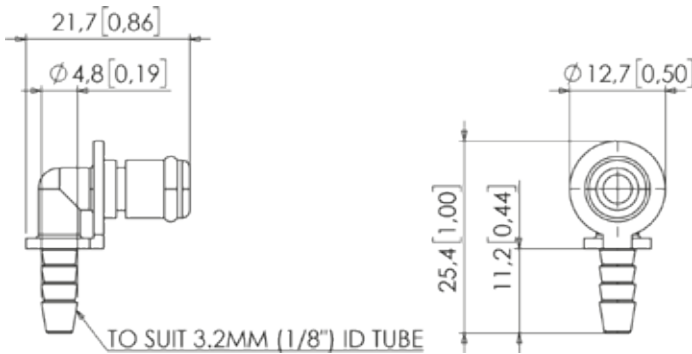
Non-wetted Materials: Acetal

Media/Ambient Temperature: -40°C to 82°C (-40°F to 180°F)

Recommended Filtration: Depending on application

RoHS/REACH Compliant: Yes

Other Technical Data: Connects with Q2 Couplings. This product is guaranteed to interconnect with all pre-existing industry standard interchangeable thumb-latch quick release couplings of the same size and style, or if not will be replaced or refunded. Suitable for bi-directional flow.



Price starting from: **£2.10**

*Price breaks available for larger quantities

● Connects with Q2 Series Sockets

More from this range



1/4" ID
In-Line, Elbow
E-Q-160441



4.0mm OD/2.5mm ID
In-Line, Elbow
E-Q-160445



6.4mm OD/4.3mm ID
In-Line, Elbow
E-Q-160446

Plastic Thumb Latch - Acetal - Q2 Series Couplings

E-Q-160437 - Acetal Panel Mount Plug Coupling, Buna-N Seal, 1/8" (3.2mm) ID Tube, Non-Valved, 1/8" Flow



Technical Data

Max. Inlet Pressure: 8.3 bar (120 psi)

Connection 1: 1/8" (3.2mm) ID Tube

Connection 2: To mating Q2 Socket Connector

Mounting Style: Panel Mount

Wetted Materials: Acetal, Buna-N

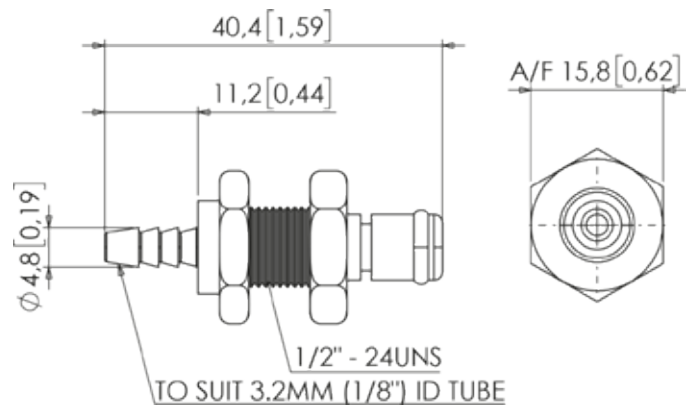
Non-wetted Materials: Acetal, Nickel Plated Brass

Media/Ambient Temperature: -40°C to 82°C (-40°F to 180°F)

Recommended Filtration: Depending on application

RoHS/REACH Compliant: Yes

Other Technical Data: Connects with Q2 Couplings. This product is guaranteed to interconnect with all pre-existing industry standard interchangeable thumb-latch quick release couplings of the same size and style, or if not will be replaced or refunded. Suitable for bi-directional flow.



Price starting from: £3.84

*Price breaks available for larger quantities

● Connects with Q2 Series Sockets

More from this range



1/16" ID
Panel Mount
E-Q-160436



3/16" ID
Panel Mount
E-Q-160438



1/4" ID
Panel Mount
E-Q-160439



6.4mm OD/4.3mm ID
Panel Mount
E-Q-160442

E-Q-160428 - Acetal Plug Coupling, Buna-N Seal, 1/8" NPT Male Thread, Non-Valved, 1/8" Flow

Technical Data

Max. Inlet Pressure: 8.3 bar (120 psi)

Connection 1: 1/8" NPT Male Thread

Connection 2: To mating Q2 Socket Connector

Mounting Style: Threaded

Wetted Materials: Acetal, Buna-N

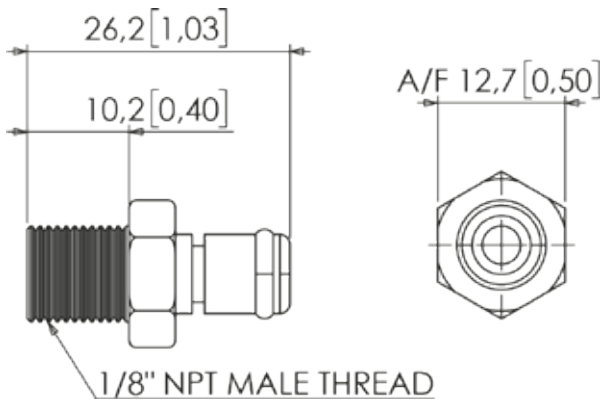
Non-wetted Materials: Acetal

Media/Ambient Temperature: -40°C to 82°C (-40°F to 180°F)

Recommended Filtration: Depending on application

RoHS/REACH Compliant: Yes

Other Technical Data: Connects with Q2 Couplings. This product is guaranteed to interconnect with all pre-existing industry standard interchangeable thumb-latch quick release couplings of the same size and style, or if not will be replaced or refunded. Suitable for bi-directional flow.



Price starting from: **£1.63**

*Price breaks available for larger quantities

● Connects with Q2 Series Sockets

More from this range



1/4" NPT
Threaded
E-Q-160430



1/8" BSPT
Threaded
E-Q-160429

Plastic Thumb Latch - Acetal - Q2 Series Couplings

E-Q-160452 - Acetal Plug Coupling, Buna-N Seal, 1/8" (3.2mm) ID Tube, Valved, 1/8" Flow



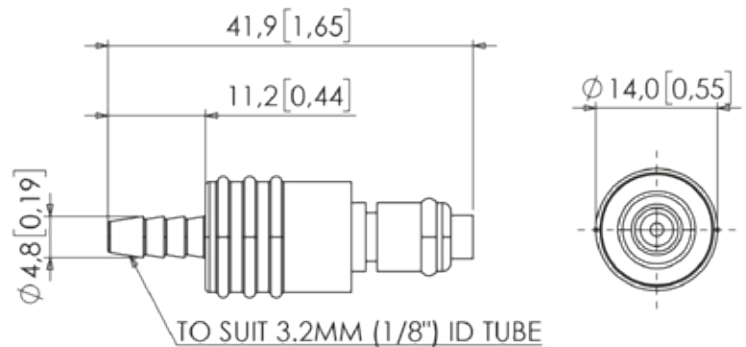
Technical Data

Max. Inlet Pressure: 8.3 bar (120 psi)
Connection 1: 1/8" (3.2mm) ID Tube
Connection 2: To mating Q2 Socket Connector
Mounting Style: In-Line
Wetted Materials: Acetal, 316 Stainless Steel, Buna-N
Non-wetted Materials: Acetal
Media/Ambient Temperature: -40°C to 82°C (-40°F to 180°F)
Recommended Filtration: Depending on application
RoHS/REACH Compliant: Yes
Other Technical Data: Connects with Q2 Couplings. This product is guaranteed to interconnect with all pre-existing industry standard interchangeable thumb-latch quick release couplings of the same size and style, or if not will be replaced or refunded. Suitable for bi-directional flow.

Price starting from: £4.90

*Price breaks available for larger quantities

Connects with Q2 Series Sockets



More from this range



1/16" ID
In-Line
E-Q-160451



3/16" ID
In-Line
E-Q-160453



1/4" ID
In-Line
E-Q-160454



4.0mm OD/2.5mm ID
In-Line
E-Q-160462



6.4mm OD/4.3mm ID
In-Line
E-Q-160463

E-Q-160459 - Acetal Elbow Plug Coupling, Buna-N Seal, 1/8" (3.2mm) ID Tube, Valved, 1/8" Flow

Technical Data

Max. Inlet Pressure: 8.3 bar (120 psi)

Connection 1: 1/8" (3.2mm) ID Tube

Connection 2: To mating Q2 Socket Connector

Mounting Style: In-Line

Wetted Materials: Acetal, 316 Stainless Steel, Buna-N

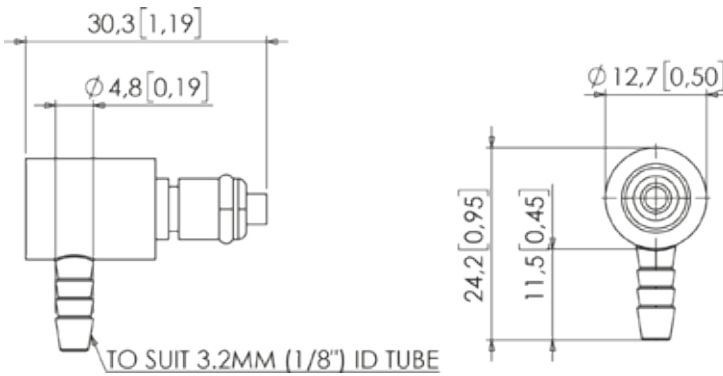
Non-wetted Materials: Acetal

Media/Ambient Temperature: -40°C to 82°C (-40°F to 180°F)

Recommended Filtration: Depending on application

RoHS/REACH Compliant: Yes

Other Technical Data: Connects with Q2 Couplings. This product is guaranteed to interconnect with all pre-existing industry standard interchangeable thumb-latch quick release couplings of the same size and style, or if not will be replaced or refunded. Suitable for bi-directional flow.



Price starting from: £7.07

*Price breaks available for larger quantities

● Connects with Q2 Series Sockets

More from this range



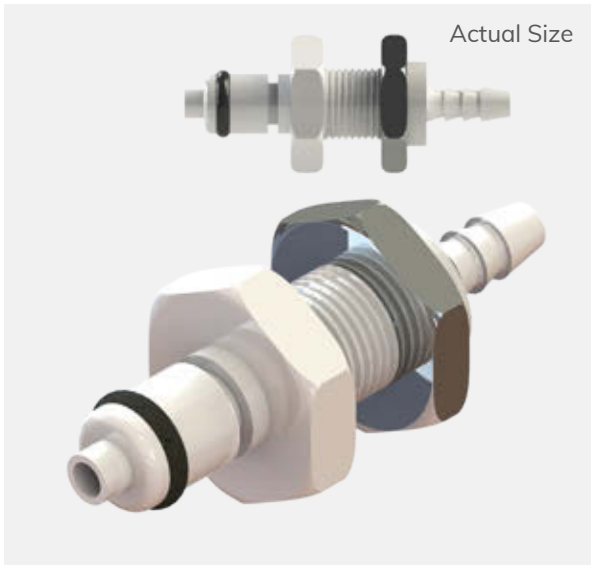
1/4" ID
In-Line, Elbow
E-Q-160460



6.4mm OD/4.3mm ID
In-Line, Elbow
E-Q-160465

Plastic Thumb Latch - Acetal - Q2 Series Couplings

E-Q-160456 - Acetal Panel Mount Plug Coupling, Buna-N Seal, 1/8" (3.2mm) ID Tube, Valved, 1/8" Flow



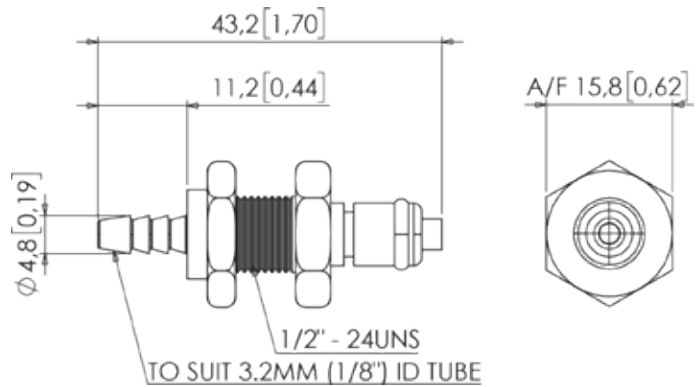
Technical Data

Max. Inlet Pressure: 8.3 bar (120 psi)
Connection 1: 1/8" (3.2mm) ID Tube
Connection 2: To mating Q2 Socket Connector
Mounting Style: Panel Mount
Wetted Materials: Acetal, 316 Stainless Steel, Buna-N
Non-wetted Materials: Acetal, Nickel Plated Brass
Media/Ambient Temperature: -40°C to 82°C (-40°F to 180°F)
Recommended Filtration: Depending on application
RoHS/REACH Compliant: Yes
Other Technical Data: Connects with Q2 Couplings. This product is guaranteed to interconnect with all pre-existing industry standard interchangeable thumb-latch quick release couplings of the same size and style, or if not will be replaced or refunded. Suitable for bi-directional flow.

Price starting from: £7.27

*Price breaks available for larger quantities

● Connects with Q2 Series Sockets



More from this range



1/16" ID
Panel Mount
E-Q-160455



3/16" ID
Panel Mount
E-Q-160457



1/4" ID
Panel Mount
E-Q-160458



6.4mm OD/4.3mm ID
Panel Mount
E-Q-160461

E-Q-160447 - Acetal Plug Coupling, Buna-N Seal, 1/8" NPT Male Thread, Valved, 1/8" Flow

Technical Data

Max. Inlet Pressure: 8.3 bar (120 psi)

Connection 1: 1/8" NPT Male Thread

Connection 2: To mating Q2 Socket Connector

Mounting Style: Threaded

Wetted Materials: Acetal, 316 Stainless Steel, Buna-N

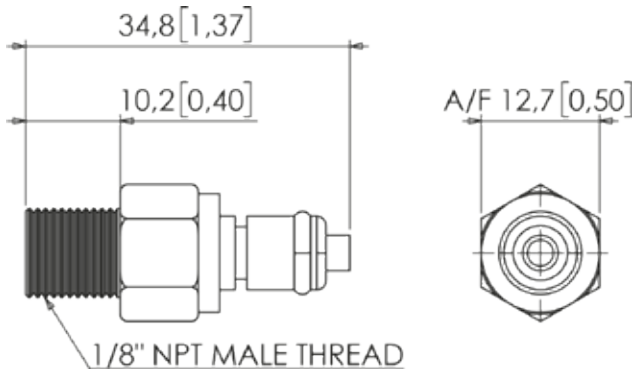
Non-wetted Materials: Acetal

Media/Ambient Temperature: -40°C to 82°C (-40°F to 180°F)

Recommended Filtration: Depending on application

RoHS/REACH Compliant: Yes

Other Technical Data: Connects with Q2 Couplings. This product is guaranteed to interconnect with all pre-existing industry standard interchangeable thumb-latch quick release couplings of the same size and style, or if not will be replaced or refunded. Suitable for bi-directional flow.



Price starting from: £5.41

*Price breaks available for larger quantities

● Connects with Q2 Series Sockets

More from this range



1/4" NPT
Threaded
E-Q-160449



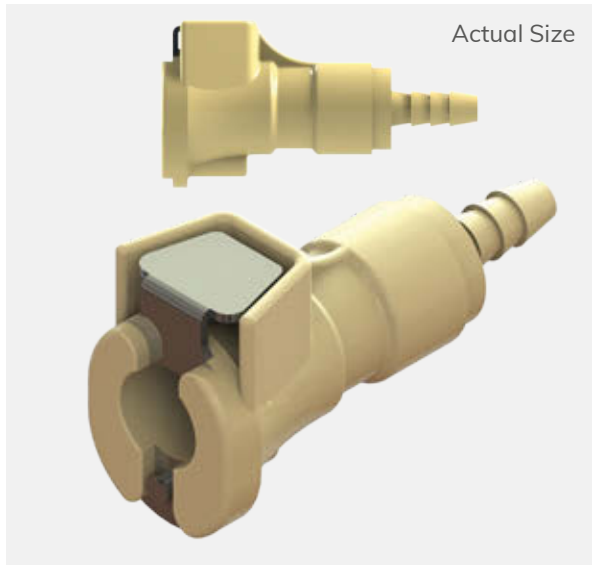
1/8" BSPT
Threaded
E-Q-160448



1/4" BSPT
Threaded
E-Q-160450

Plastic Thumb Latch - Polypropylene - Q2 Series Couplings

E-Q-160479 - Polypropylene Socket Coupling, EPDM Seal, 1/8" (3.2mm) ID Tube, Valved, 1/8" Flow



Technical Data

Max. Inlet Pressure: 8.3 bar (120 psi)

Connection 1: 1/8" (3.2mm) ID Tube

Connection 2: To mating Q2 Plug Connector

Mounting Style: In-Line

Wetted Materials: P5M6K-080 Medical Grade Gamma-Stable Polypropylene, 316 Stainless Steel, Peroxide-cured EPDM

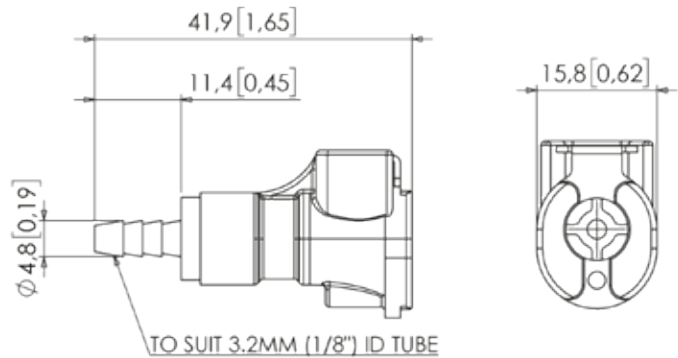
Non-wetted Materials: P5M6K-080 Medical Grade Gamma-Stable Polypropylene, Stainless Steel

Media/Ambient Temperature: 0°C to 71°C (32°F to 160°F)

Recommended Filtration: Depending on application

RoHS/REACH Compliant: Yes

Other Technical Data: Connects with Q2 Couplings. This product is guaranteed to interconnect with all pre-existing industry standard interchangeable thumb-latch quick release couplings of the same size and style, or if not will be replaced or refunded. Suitable for bi-directional flow.



Price starting from: £8.90

*Price breaks available for larger quantities

- Connects with Q2 Series Plugs
- Also available in Grey

More from this range



1/4" ID
In-Line
E-Q-160480



1/8" ID
Panel Mount
E-Q-160482



1/4" ID
Panel Mount
E-Q-160483



6.4mm OD/4.3mm ID
Panel Mount
E-Q-160484



1/8" NPT
Threaded
E-Q-160476



1/4" NPT
Threaded
E-Q-160477

E-Q-160469 - Polypropylene Socket Coupling, 1/8" (3.2mm) ID Tube, Non-Valved, 1/8" Flow

Technical Data

Max. Inlet Pressure: 8.3 bar (120 psi)

Connection 1: 1/8" (3.2mm) ID Tube

Connection 2: To mating Q2 Plug Connector

Mounting Style: In-Line

Wetted Materials: P5M6K-080 Medical Grade Gamma-Stable Polypropylene

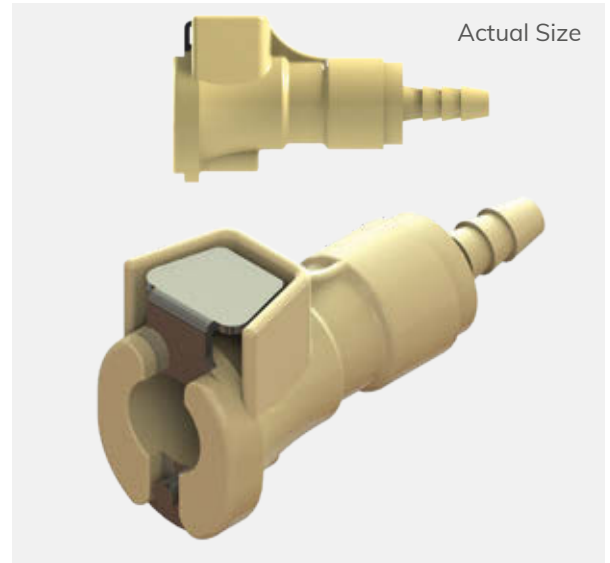
Non-wetted Materials: Medical Grade Gamma-Stable Polypropylene, Stainless Steel

Media/Ambient Temperature: 0°C to 71°C (32°F to 160°F)

Recommended Filtration: Depending on application

RoHS/REACH Compliant: Yes

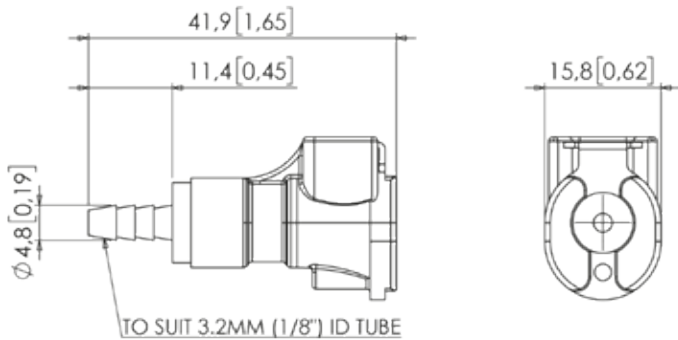
Other Technical Data: Connects with Q2 Couplings. This product is guaranteed to interconnect with all pre-existing industry standard interchangeable thumb-latch quick release couplings of the same size and style, or if not will be replaced or refunded. Suitable for bi-directional flow.



Price starting from: £6.36

*Price breaks available for larger quantities

- Connects with Q2 Series Plugs
- Also available in Grey



More from this range



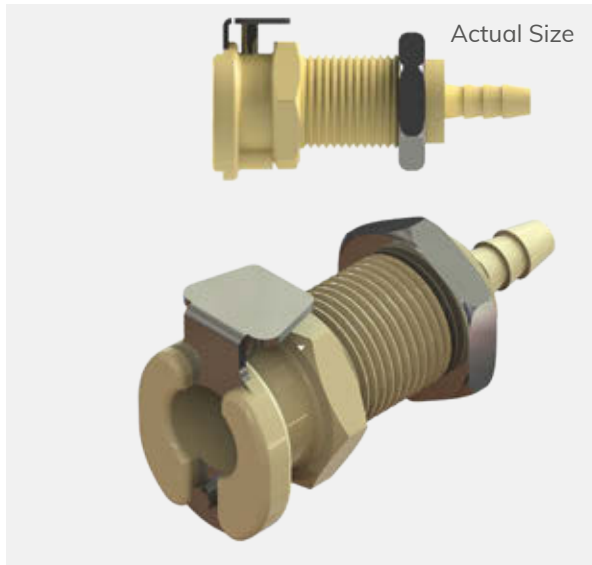
1/4" ID
In-Line
E-Q-160470



1/8" NPT
Threaded
E-Q-160466

Plastic Thumb Latch - Polypropylene - Q2 Series Couplings

E-Q-160472 - Polypropylene Panel Mount Socket Coupling, 1/8" (3.2mm) ID Tube, Non-Valved, 1/8" Flow



Technical Data

Max. Inlet Pressure: 8.3 bar (120 psi)

Connection 1: 1/8" (3.2mm) ID Tube

Connection 2: To mating Q2 Plug Connector

Mounting Style: Panel Mount

Wetted Materials: P5M6K-080 Medical Grade Gamma-Stable Polypropylene

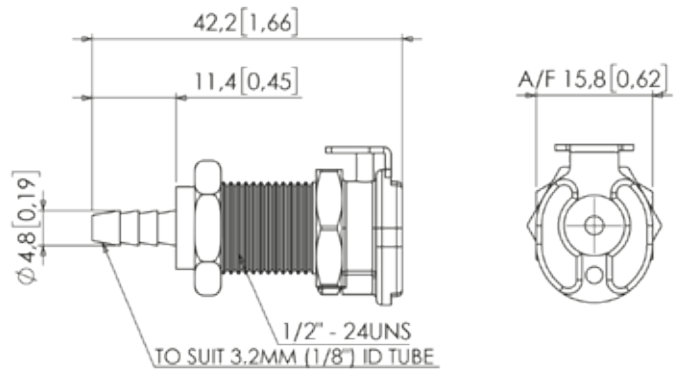
Non-wetted Materials: P5M6K-080 Medical Grade Gamma-Stable Polypropylene, Chrome Plated Brass, Stainless Steel

Media/Ambient Temperature: 0°C to 71°C (32°F to 160°F)

Recommended Filtration: Depending on application

RoHS/REACH Compliant: Yes

Other Technical Data: Connects with Q2 Couplings. This product is guaranteed to interconnect with all pre-existing industry standard interchangeable thumb-latch quick release couplings of the same size and style, or if not will be replaced or refunded. Suitable for bi-directional flow.



Price starting from: £8.96

*Price breaks available for larger quantities

- Connects with Q2 Series Plugs
- Also available in Grey

More from this range



1/16" ID
Panel Mount
E-Q-160471



1/4" ID
Panel Mount
E-Q-160473



6.4mm OD/4.3mm ID
Panel Mount
E-Q-160474

E-Q-160488 - Polypropylene Plug Coupling, EPDM Seal, 1/8" (3.2mm) ID Tube, Non-Valved, 1/8" Flow

Technical Data

Max. Inlet Pressure: 8.3 bar (120 psi)

Connection 1: 1/8" (3.2mm) ID Tube

Connection 2: To mating Q2 Socket Connector

Mounting Style: In-Line

Wetted Materials: P5M6K-080 Medical Grade Gamma-Stable Polypropylene, Peroxide-cured EPDM

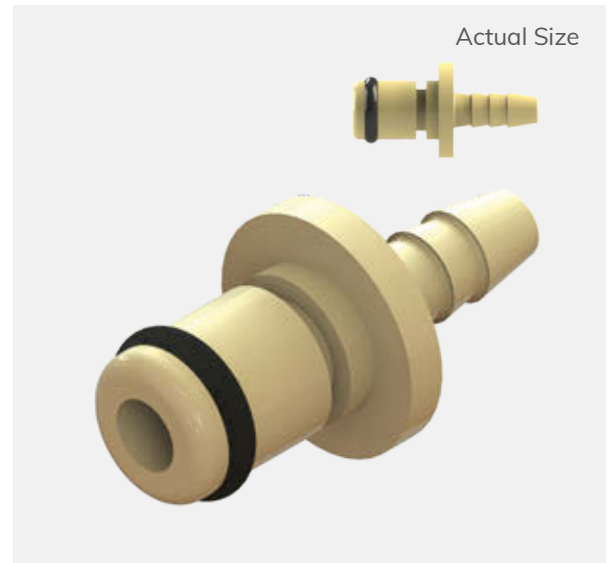
Non-wetted Materials: P5M6K-080 Medical Grade Gamma-Stable Polypropylene

Media/Ambient Temperature: 0°C to 71°C (32°F to 160°F)

Recommended Filtration: Depending on application

RoHS/REACH Compliant: Yes

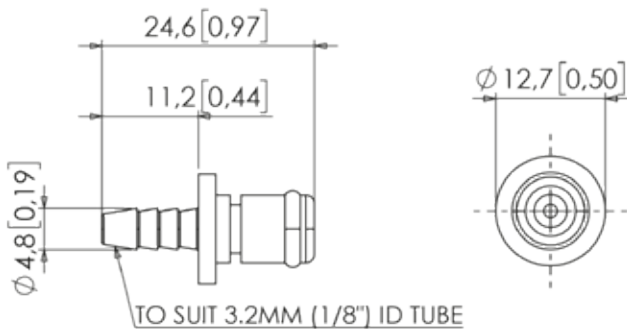
Other Technical Data: Connects with Q2 Couplings. This product is guaranteed to interconnect with all pre-existing industry standard interchangeable thumb-latch quick release couplings of the same size and style, or if not will be replaced or refunded. Suitable for bi-directional flow.



Price starting from: £1.77

*Price breaks available for larger quantities

- Connects with Q2 Series Sockets
- Also available in Grey



More from this range



1/16" ID
In-Line
E-Q-160487



1/4" ID
In-Line
E-Q-160489



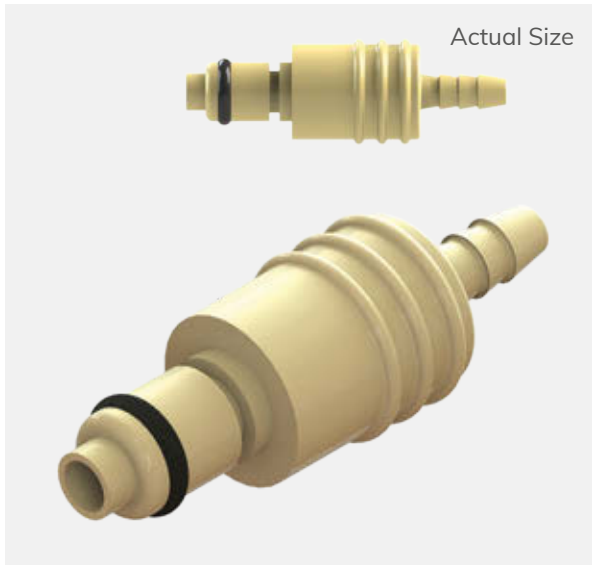
1/8" ID
In-Line, Elbow
E-Q-160003



1/4" ID
In-Line, Elbow
E-Q-160490

Plastic Thumb Latch - Polypropylene - Q2 Series Couplings

E-Q-160495 - Polypropylene Plug Coupling, EPDM Seal, 1/8" (3.2mm) ID Tube, Valved, 1/8" Flow



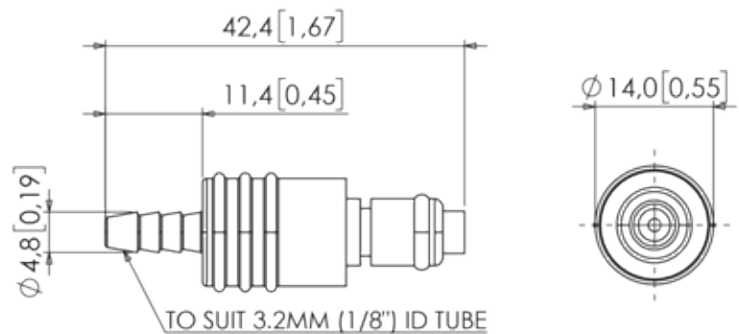
Technical Data

Max. Inlet Pressure: 8.3 bar (120 psi)
Connection 1: 1/8" (3.2mm) ID Tube
Connection 2: To mating Q2 Socket Connector
Mounting Style: In-Line
Wetted Materials: P5M6K-080 Medical Grade Gamma-Stable Polypropylene, Peroxide-cured EPDM, 316 Stainless Steel
Non-wetted Materials: P5M6K-080 Medical Grade Gamma-Stable Polypropylene
Media/Ambient Temperature: 0°C to 71°C (32°F to 160°F)
Recommended Filtration: Depending on application
RoHS/REACH Compliant: Yes
Other Technical Data: Connects with Q2 Couplings. This product is guaranteed to interconnect with all pre-existing industry standard interchangeable thumb-latch quick release couplings of the same size and style, or if not will be replaced or refunded. Suitable for bi-directional flow.

Price starting from: £6.91

*Price breaks available for larger quantities

- Connects with Q2 Series Sockets
- Also available in Grey



More from this range



1/16" ID
In-Line
E-Q-160494



1/4" ID
In-Line
E-Q-160496



1/8" ID
In-Line, Elbow
E-Q-160497



1/4" ID
In-Line, Elbow
E-Q-160498



6.4mm OD/4.3mm ID
In-Line, Elbow
E-Q-160500



6.4mm OD/4.3mm ID
In-Line
E-Q-160499

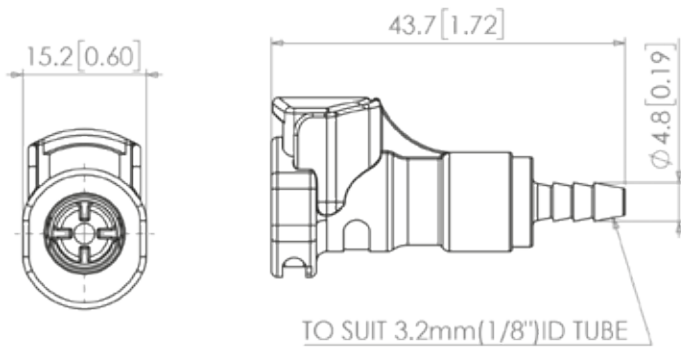


1/8" NPT
Threaded
E-Q-160493

E-Q-200003 - Acetal Socket Coupling, 1/8" (3.2mm) ID Tube, Non-Valved, 1/8" Flow

Technical Data

Max. Inlet Pressure: 8.3 bar (120 psi)
Connection 1: 1/8" (3.2mm) ID Tube
Connection 2: To mating Q3 Plug Connector
Mounting Style: In-Line
Wetted Materials: Acetal
Non-wetted Materials: Acetal
Media/Ambient Temperature: -40°C to 82°C (-40°F to 180°F)
Recommended Filtration: Depending on application
RoHS/REACH Compliant: Yes
Other Technical Data: Connects with Q3 Couplings. This product is more reliable with less moving parts due to its advanced design with no external springs. This product does not interconnect with all pre-existing industry standard interchangeable thumb-latch quick release couplings of the same size and style. Suitable for bi-directional flow.



Price starting from: £2.29

*Price breaks available for larger quantities

● Connects with Q3 Series Plugs

More from this range



3/16" ID
In-Line
E-Q-200004



1/4" ID
In-Line
E-Q-200005



1/8" ID
Panel Mount
E-Q-200009



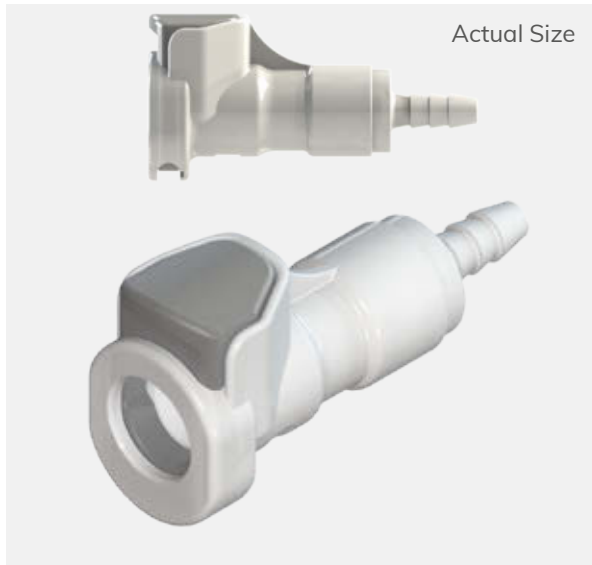
1/4" ID
Panel Mount
E-Q-200011



1/8" NPT
Threaded
E-Q-200001

Plastic Thumb Latch - Acetal - Q3 Series Couplings

E-Q-200017 - Acetal Socket Coupling, Buna-N Seal, 1/8" (3.2mm) ID Tube, Valved, 1/8" Flow



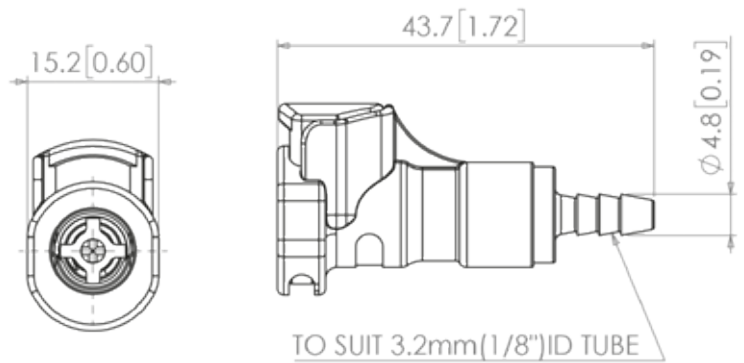
Technical Data

Max. Inlet Pressure: 8.3 bar (120 psi)
Connection 1: 1/8" (3.2mm) ID Tube
Connection 2: To mating Q3 Plug Connector
Mounting Style: In-Line
Wetted Materials: Acetal, Buna-N, 316 Stainless Steel
Non-wetted Materials: Acetal
Media/Ambient Temperature: -40°C to 82°C (-40°F to 180°F)
Recommended Filtration: Depending on application
RoHS/REACH Compliant: Yes
Other Technical Data: Connects with Q3 Couplings. This product is more reliable with less moving parts due to its advanced design with no external springs. This product does not interconnect with all pre-existing industry standard interchangeable thumb-latch quick release couplings of the same size and style. Suitable for bi-directional flow.

Price starting from: £4.15

*Price breaks available for larger quantities

● Connects with Q3 Series Plugs



More from this range



3/16" ID
In-Line
E-Q-200018



1/4" ID
In-Line
E-Q-200019



1/8" ID
Panel Mount
E-Q-200023



3/16" ID
Panel Mount
E-Q-200024



1/4" ID
Panel Mount
E-Q-200025



6.4mm OD/4.3mm ID
Panel Mount
E-Q-200027

E-Q-200033 - Acetal Plug Coupling, Buna-N Seal, 1/8" (3.2mm) ID Tube, Non-Valved, 1/8" Flow

Technical Data

Max. Inlet Pressure: 8.3 bar (120 psi)

Connection 1: 1/8" (3.2mm) ID Tube

Connection 2: To mating Q3 Socket Connector

Mounting Style: In-Line

Wetted Materials: Acetal, Buna-N

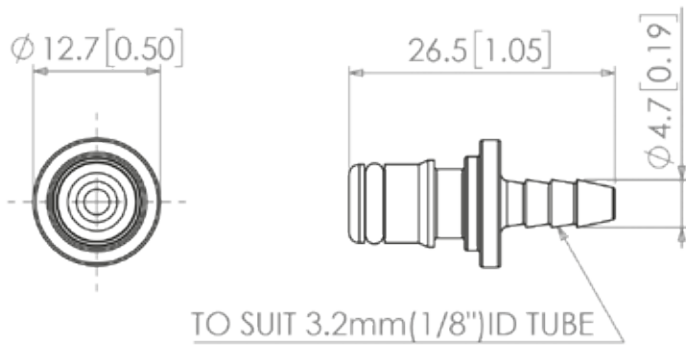
Non-wetted Materials: Acetal

Media/Ambient Temperature: -40°C to 82°C (-40°F to 180°F)

Recommended Filtration: Depending on application

RoHS/REACH Compliant: Yes

Other Technical Data: Connects with Q3 Couplings. This product is more reliable with less moving parts due to its advanced design with no external springs. This product does not interconnect with all pre-existing industry standard interchangeable thumb-latch quick release couplings of the same size and style. Suitable for bi-directional flow.



Price starting from: £1.32

*Price breaks available for larger quantities

● Connects with Q3 Series Sockets

More from this range



1/8" ID
In-Line, Elbow
E-Q-200036



1/8" NPT
Threaded
E-Q-200029

Plastic Thumb Latch - Acetal - Q3 Series Couplings

E-Q-200045 - Acetal Plug Coupling, Buna-N Seal, 1/8" (3.2mm) ID Tube, Valved, 1/8" Flow



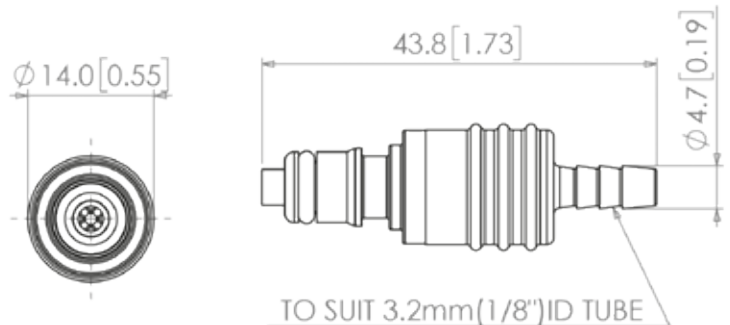
Technical Data

Max. Inlet Pressure: 8.3 bar (120 psi)
Connection 1: 1/8" (3.2mm) ID Tube
Connection 2: To mating Q3 Socket Connector
Mounting Style: In-Line
Wetted Materials: Acetal, Buna-N, 316 Stainless Steel
Non-wetted Materials: Acetal
Media/Ambient Temperature: -40°C to 82°C (-40°F to 180°F)
Recommended Filtration: Depending on application
RoHS/REACH Compliant: Yes
Other Technical Data: Connects with Q3 Couplings. This product is more reliable with less moving parts due to its advanced design with no external springs. This product does not interconnect with all pre-existing industry standard interchangeable thumb-latch quick release couplings of the same size and style. Suitable for bi-directional flow.

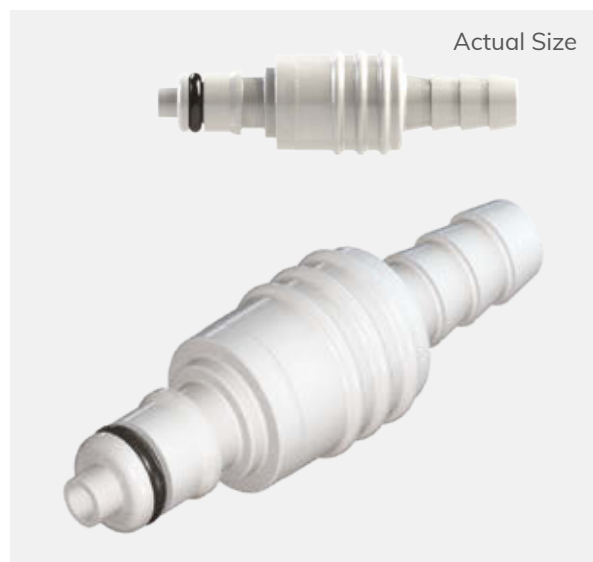
Price starting from: £3.96

*Price breaks available for larger quantities

Connects with Q3 Series Sockets



E-Q-200047 - Acetal Plug Coupling, Buna-N Seal, 1/4" (6.4mm) ID Tube, Valved, 1/8" Flow - Q3 Series



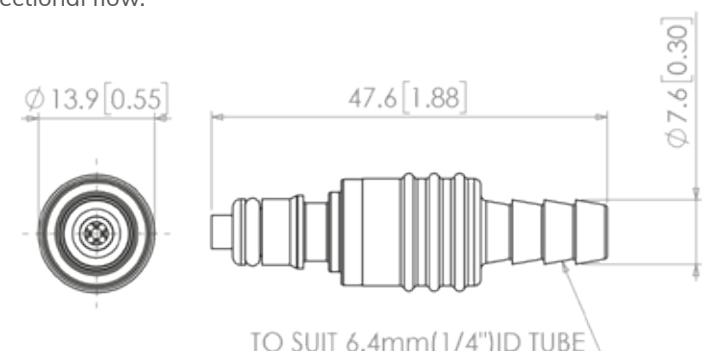
Technical Data

Max. Inlet Pressure: 8.3 bar (120 psi)
Connection 1: 1/4" (6.4mm) ID Tube
Connection 2: To mating Q3 Socket Connector
Mounting Style: In-Line
Wetted Materials: Acetal, Buna-N, 316 Stainless Steel
Non-wetted Materials: Acetal
Media/Ambient Temperature: -40°C to 82°C (-40°F to 180°F)
Recommended Filtration: Depending on application
RoHS/REACH Compliant: Yes
Other Technical Data: Connects with Q3 Couplings. This product is more reliable with less moving parts due to its advanced design with no external springs. This product does not interconnect with all pre-existing industry standard interchangeable thumb-latch quick release couplings of the same size and style. Suitable for bi-directional flow.

Price starting from: 3.96

*Price breaks available for larger quantities

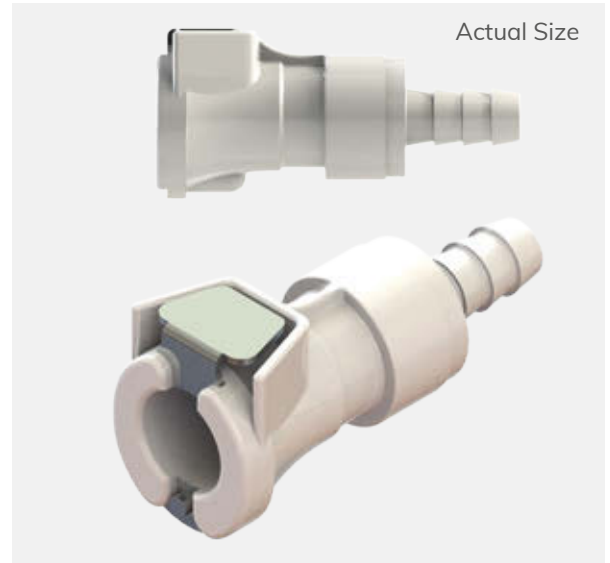
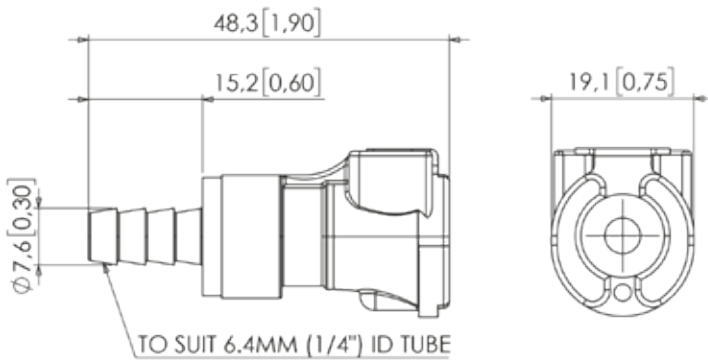
Connects with Q3 Series Sockets



E-Q-160503 - Acetal Socket Coupling, 1/4" (6.4mm) ID Tube, Non-Valved, 1/4" Flow

Technical Data

Max. Inlet Pressure: 8.3 bar (120 psi)
Connection 1: 1/4" (6.4mm) ID Tube
Connection 2: To mating Q4 Plug Connector
Mounting Style: In-Line
Wetted Materials: Acetal
Non-wetted Materials: Acetal, Stainless Steel
Media/Ambient Temperature: -40°C to 82°C (-40°F to 180°F)
Recommended Filtration: Depending on application
RoHS/REACH Compliant: Yes
Other Technical Data: Connects with Q4 Couplings. This product is guaranteed to interconnect with all pre-existing industry standard interchangeable thumb-latch quick release couplings of the same size and style, or if not will be replaced or refunded. Suitable for bi-directional flow.



Price starting from: £3.34

*Price breaks available for larger quantities

● Connects with Q4 Series Plugs

More from this range



6.4mm OD/4.3mm ID
In-Line
E-Q-160506



1/4" ID
Panel Mount
E-Q-160504



6.4mm OD/4.3mm ID
Panel Mount
E-Q-160505



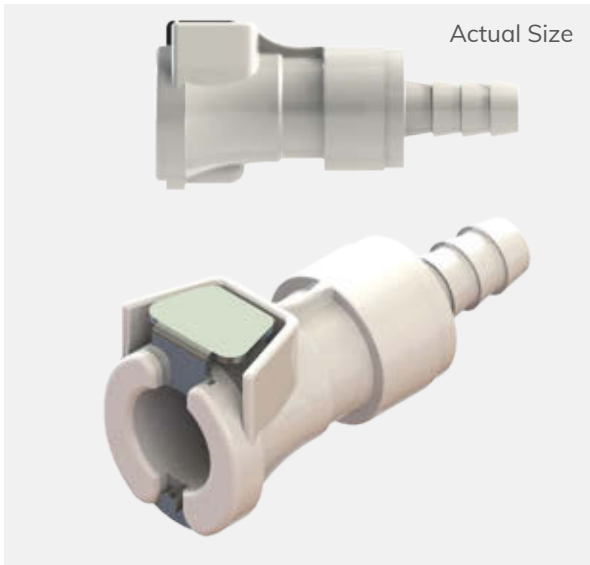
1/4" NPT
Threaded
E-Q-160501



1/4" BSPT
Threaded
E-Q-160502

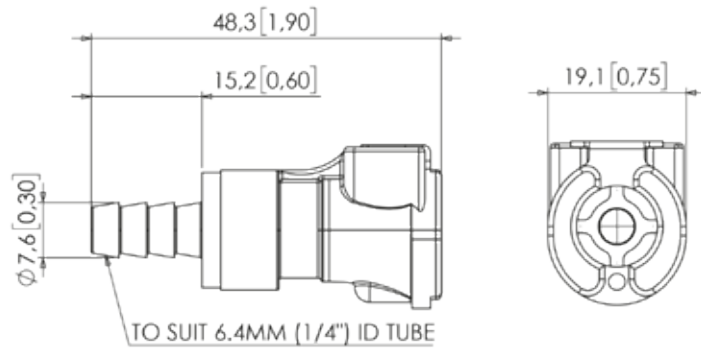
Plastic Thumb Latch - Acetal - Q4 Series Couplings

E-Q-160511 - Acetal Socket Coupling, Buna-N Seal, 1/4" (6.4mm) ID Tube, Valved, 1/4" Flow



Technical Data

Max. Inlet Pressure: 8.3 bar (120 psi)
Connection 1: 1/4" (6.4mm) ID Tube
Connection 2: To mating Q4 Plug Connector
Mounting Style: In-Line
Wetted Materials: Acetal, 316 Stainless Steel, Buna-N
Non-wetted Materials: Acetal, Stainless Steel
Media/Ambient Temperature: -40°C to 82°C (-40°F to 180°F)
Recommended Filtration: Depending on application
RoHS/REACH Compliant: Yes
Other Technical Data: Connects with Q4 Couplings. This product is guaranteed to interconnect with all pre-existing industry standard interchangeable thumb-latch quick release couplings of the same size and style, or if not will be replaced or refunded. Suitable for bi-directional flow.



Price starting from: £5.11

*Price breaks available for larger quantities

● Connects with Q4 Series Plugs

More from this range



1/4" OD Push-In
In-Line
E-Q-160515



6.4mm OD/4.3mm ID
In-Line
E-Q-160514



1/4" ID
Panel Mount
E-Q-160512



1/4" OD Push-In
Panel Mount
E-Q-160516



6.4mm OD/4.3mm ID
Panel Mount
E-Q-160513



1/4" NPT
Threaded
E-Q-160509



1/4" BSPT
Threaded
E-Q-160510

E-Q-160527 - Acetal Plug Coupling, Buna-N Seal, 1/4" (6.4mm) ID Tube, Valved, 1/4" Flow

Technical Data

Max. Inlet Pressure: 8.3 bar (120 psi)
Connection 1: 1/4" (6.4mm) ID Tube
Connection 2: To mating Q4 Socket Connector
Mounting Style: In-Line
Wetted Materials: Acetal, 316 Stainless Steel, Buna-N
Non-wetted Materials: Acetal
Media/Ambient Temperature: -40°C to 82°C (-40°F to 180°F)
Recommended Filtration: Depending on application
RoHS/REACH Compliant: Yes
Other Technical Data: Connects with Q4 Couplings. This product is guaranteed to interconnect with all pre-existing industry standard interchangeable thumb-latch quick release couplings of the same size and style, or if not will be replaced or refunded. Suitable for bi-directional flow.

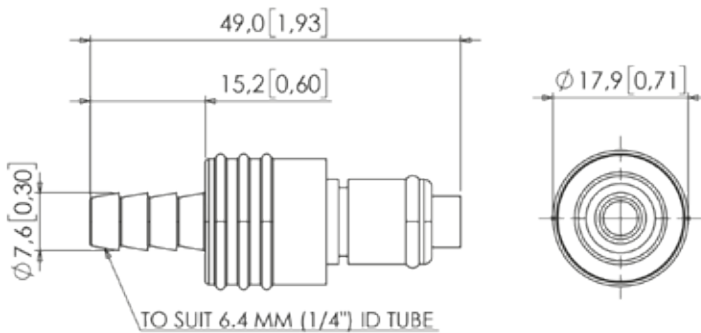


Actual Size

Price starting from: £4.25

*Price breaks available for larger quantities

• Connects with Q4 Series Sockets



More from this range



1/4" OD Push-In
In-Line
E-Q-160531



6.4mm OD/4.3mm ID
In-Line
E-Q-160530



1/4" OD Push-In
Panel Mount
E-Q-160532



1/4" ID
Panel Mount
E-Q-160528



6.4mm OD/4.3mm ID
Panel Mount
E-Q-160529



1/4" NPT
Threaded
E-Q-160525



1/4" BSPT
Threaded
E-Q-160526

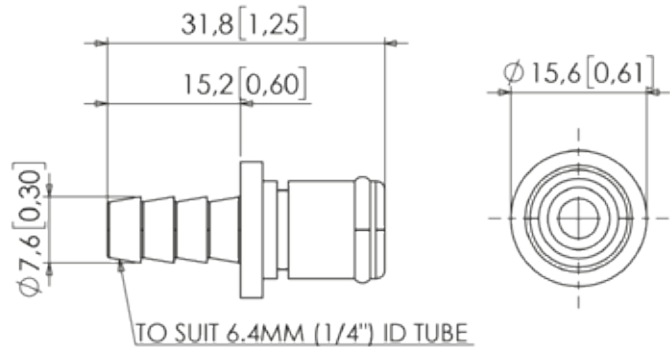
Plastic Thumb Latch - Acetal - Q4 Series Couplings

E-Q-160519 - Acetal Plug Coupling, Buna-N Seal, 1/4" (6.4mm) ID Tube, Non-Valved, 1/4" Flow



Technical Data

Max. Inlet Pressure: 8.3 bar (120 psi)
Connection 1: 1/4" (6.4mm) ID Tube
Connection 2: To mating Q4 Socket Connector
Mounting Style: In-Line
Wetted Materials: Acetal, Buna-N
Non-wetted Materials: Acetal
Media/Ambient Temperature: -40°C to 82°C (-40°F to 180°F)
Recommended Filtration: Depending on application
RoHS/REACH Compliant: Yes
Other Technical Data: Connects with Q4 Couplings. This product is guaranteed to interconnect with all pre-existing industry standard interchangeable thumb-latch quick release couplings of the same size and style, or if not will be replaced or refunded. Suitable for bi-directional flow.



Price starting from: £0.88

*Price breaks available for larger quantities

● Connects with Q4 Series Sockets

More from this range



6.4mm OD/4.3mm ID
In-Line
E-Q-160522



1/4" ID
Panel Mount
E-Q-160520



1/4" NPT
Threaded
E-Q-160517



1/4" BSPT
Threaded
E-Q-160518

Plastic Thumb Latch - Polypropylene - Q4 Series Couplings

E-Q-160534 - Polypropylene Socket, 1/4" (6.4mm) ID Tube, Non-Valved, 1/4" Flow

Technical Data

Max. Inlet Pressure: 8.3 bar (120 psi)

Connection 1: 1/4" (6.4mm) ID Tube

Connection 2: To mating Q4 Plug Connector

Mounting Style: In-Line

Wetted Materials: P5M6K-080 Medical Grade Gamma-Stable Polypropylene

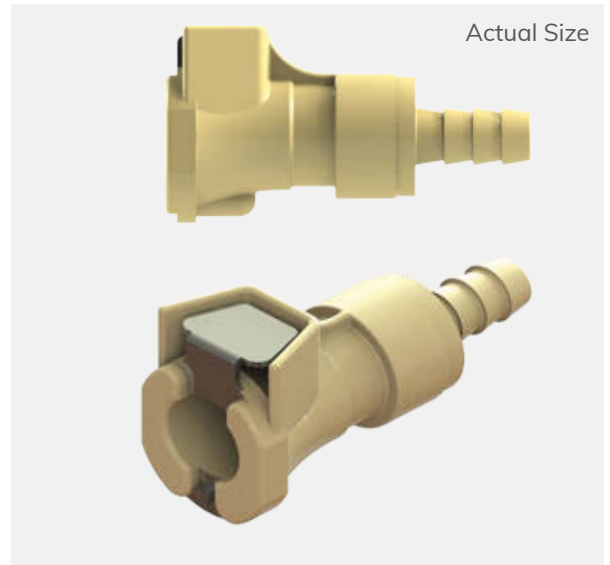
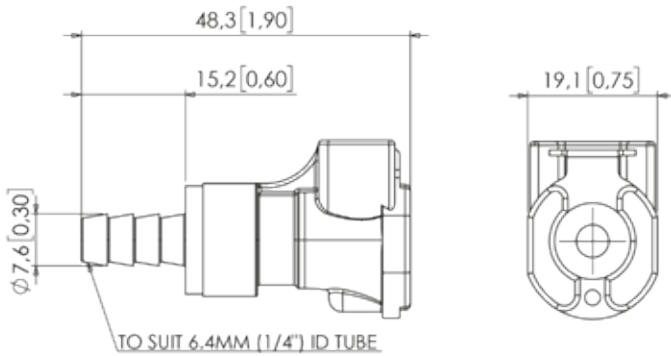
Non-wetted Materials: P5M6K-080 Medical Grade Gamma-Stable Polypropylene, Stainless Steel

Media/Ambient Temperature: 0°C to 71°C (32°F to 160°F)

Recommended Filtration: Depending on application

RoHS/REACH Compliant: Yes

Other Technical Data: This product is guaranteed to interconnect with all pre-existing industry standard interchangeable thumb-latch quick release couplings of the same size and style, or if not will be replaced or refunded. Suitable for bi-directional flow.



Price starting from: £7.62

*Price breaks available for larger quantities

- Connects with Q4 Series Plugs
- Also available in Grey

More from this range



1/4" ID Panel Mount
Non-Valved
E-Q-160535



1/4" ID In-Line
Valved
E-Q-160537



1/4" ID Panel Mount
Valved
E-Q-160538



1/4" NPT Threaded
Valved
E-Q-160536

Plastic Thumb Latch - Polypropylene - Q4 Series Couplings

E-Q-160541 - Polypropylene Panel Mount Plug, EPDM Seal, 1/4" (6.4mm) ID Tube, Non-Valved, 1/4" Flow



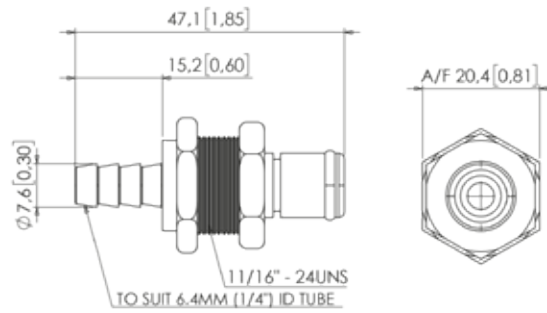
Technical Data

Max. Inlet Pressure: 8.3 bar (120 psi)
Connection 1: 1/4" (6.4mm) ID Tube
Connection 2: To mating Q4 Socket Connector
Mounting Style: Panel Mount
Wetted Materials: P5M6K-080 Medical Grade Gamma-Stable Polypropylene, Peroxide-cured EPDM
Non-wetted Materials: P5M6K-080 Medical Grade Gamma-Stable Polypropylene, Chrome Plated Brass
Media/Ambient Temperature: 0°C to 71°C (32°F to 160°F)
Recommended Filtration: Depending on application
RoHS/REACH Compliant: Yes
Other Technical Data: This product is guaranteed to interconnect with all pre-existing industry standard interchangeable thumb-latch quick release couplings of the same size and style, or if not will be replaced or refunded. Suitable for bi-directional flow. Alternative seal materials available: Buna-N (FDA/NSF grade), Viton.

Price starting from: £6.37

*Price breaks available for larger quantities

- Connects with Q4 Series Sockets
- Also available in Grey



E-Q-160546 - Polypropylene Elbow Plug, EPDM Seal, 1/4" (6.4mm) ID Tube, Valved, 1/4" Flow



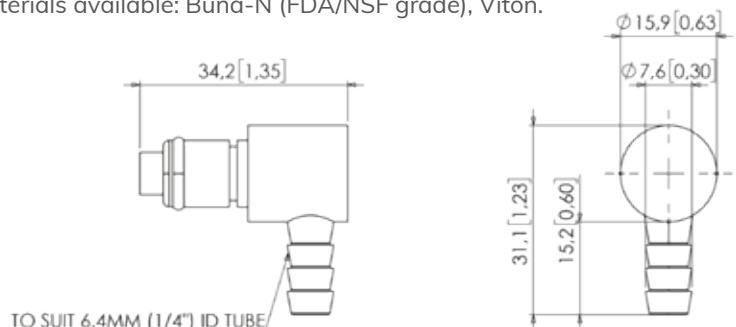
Technical Data

Max. Inlet Pressure: 8.3 bar (120 psi)
Connection 1: 1/4" (6.4mm) ID Tube
Connection 2: To mating Q4 Socket Connector
Mounting Style: In-Line
Wetted Materials: P5M6K-080 Medical Grade Gamma-stable Polypropylene, Peroxide-cured EPDM, 316 Stainless Steel
Non-wetted Materials: P5M6K-080 Medical Grade Gamma-stable Polypropylene
Media/Ambient Temperature: 0°C to 71°C (32°F to 160°F)
Recommended Filtration: Depending on application
RoHS/REACH Compliant: Yes
Other Technical Data: This product is guaranteed to interconnect with all pre-existing industry standard interchangeable thumb-latch quick release couplings of the same size and style, or if not will be replaced or refunded. Suitable for bi-directional flow. Alternative seal materials available: Buna-N (FDA/NSF grade), Viton.

Price starting from: £8.68

*Price breaks available for larger quantities

- Connects with Q4 Series Sockets
- Also available in Grey



E-Q-160543 - Polypropylene Plug, EPDM Seal, 1/4" NPT Male Thread, Valved, 1/4" Flow

Technical Data

Max. Inlet Pressure: 8.3 bar (120 psi)

Connection 1: 1/4" NPT Male Thread

Connection 2: To mating Socket Connector

Mounting Style: Threaded

Wetted Materials: P5M6K-080 Medical Grade Gamma-Stable Polypropylene, Peroxide-cured EPDM, 316 Stainless Steel

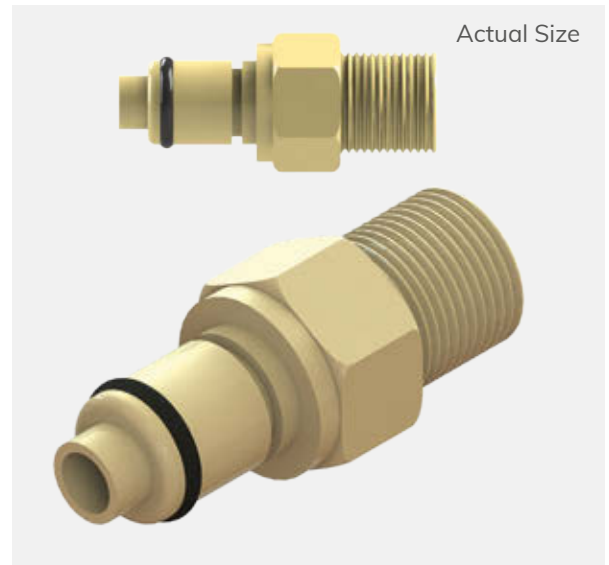
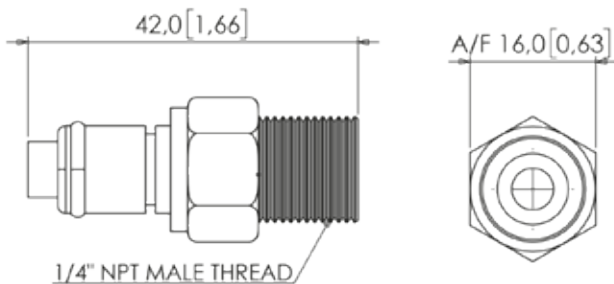
Non-wetted Materials: P5M6K-080 Medical Grade Gamma-stable Polypropylene

Media/Ambient Temperature: 0°C to 71°C (32°F to 160°F)

Recommended Filtration: Depending on application

RoHS/REACH Compliant: Yes

Other Technical Data: This product is guaranteed to interconnect with all pre-existing industry standard interchangeable thumb-latch quick release couplings of the same size and style, or if not will be replaced or refunded. Suitable for bi-directional flow. Alternative seal materials available: Buna-N (FDA/NSF grade), Viton.



Price starting from: £8.17

*Price breaks available for larger quantities

- Connects with Q4 Series Sockets
- Also available in Grey

E-Q-160544 - Polypropylene Plug Coupling, EPDM Seal, 1/4" (6.4mm) ID Tube, Valved, 1/4" Flow

Technical Data

Max. Inlet Pressure: 8.3 bar (120 psi)

Connection 1: 1/4" (6.4mm) ID Tube

Connection 2: To mating Q4 Socket Connector

Mounting Style: In-Line

Wetted Materials: P5M6K-080 Medical Grade Gamma-stable Polypropylene, Peroxide-cured EPDM, 316 Stainless Steel

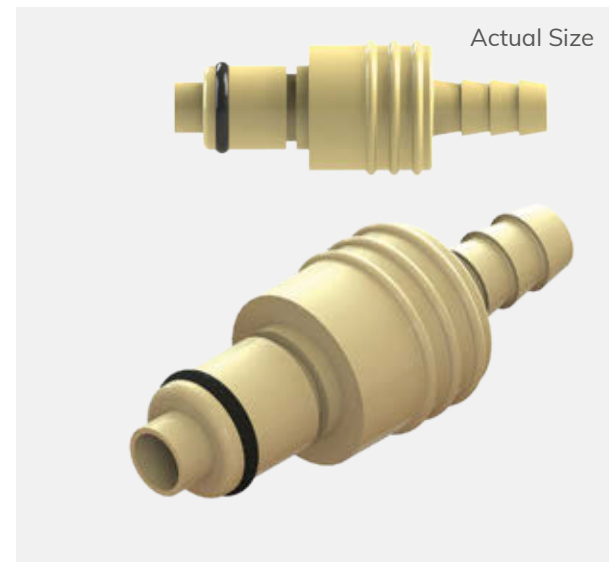
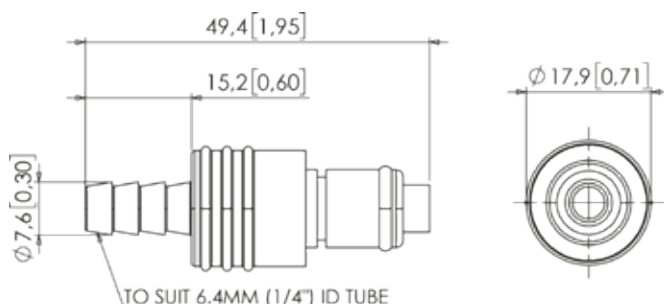
Non-wetted Materials: P5M6K-080 Medical Grade Gamma-Stable Polypropylene

Media/Ambient Temperature: 0°C to 71°C (32°F to 160°F)

Recommended Filtration: Depending on application

RoHS/REACH Compliant: Yes

Other Technical Data: This product is guaranteed to interconnect with all pre-existing industry standard interchangeable thumb-latch quick release couplings of the same size and style, or if not will be replaced or refunded. Suitable for bi-directional flow. Alternative seal materials available: Buna-N (FDA/NSF grade), Viton.



Price starting from: £6.53

*Price breaks available for larger quantities

- Connects with Q4 Series Sockets
- Also available in Grey

Plastic Thumb Latch - Acetal - Q5 Series Couplings

E-Q-160556 - Acetal Socket Coupling, Buna-N Seal, 1/4" (6.4mm) ID Tube, Valved, 1/4" Flow



Technical Data

Max. Inlet Pressure: 8.3 bar (120 psi)

Connection 1: 1/4" (6.4mm) ID Tube

Connection 2: To mating Q5 Plug Connector

Mounting Style: In-Line

Wetted Materials: Acetal, 316 Stainless Steel, Buna-N

Non-wetted Materials: Acetal, Stainless Steel

Media/Ambient Temperature: -40°C to 82°C (-40°F to 180°F)

Recommended Filtration: Depending on application

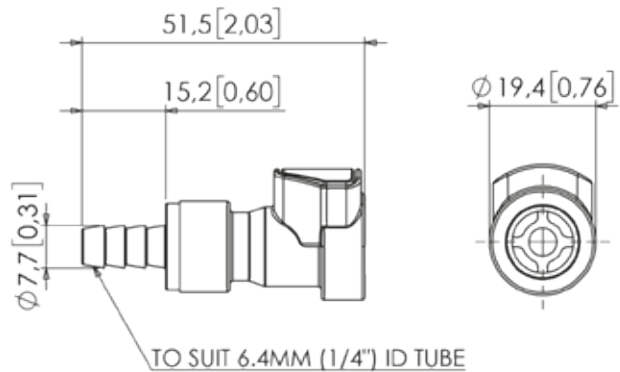
RoHS/REACH Compliant: Yes

Other Technical Data: Connects with Q5 Couplings. This product is guaranteed to interconnect with all pre-existing industry standard interchangeable thumb-latch quick release couplings of the same size and style, or if not will be replaced or refunded. Suitable for bi-directional flow.

Price starting from: £4.64

*Price breaks available for larger quantities

● Connects with Q5 Series Plugs



More from this range



6.4mm OD/4.3mm ID
In-Line
E-Q-160559



1/4" ID
Panel Mount
E-Q-160557

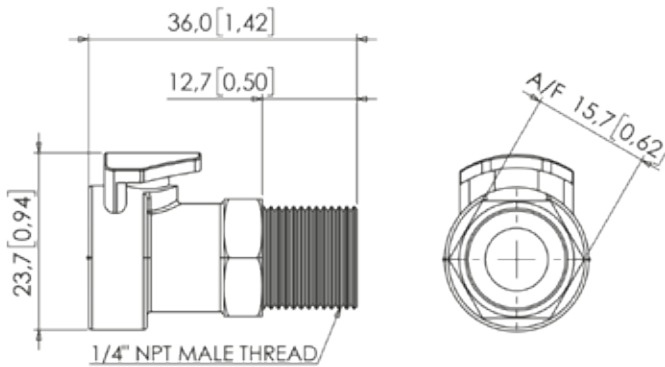


1/4" NPT
Threaded
E-Q-160555

E-Q-160549 - Acetal Socket Coupling, 1/4" NPT Male Thread, Non-Valved, 1/4" Flow

Technical Data

Max. Inlet Pressure: 8.3 bar (120 psi)
Connection 1: 1/4" NPT Male Thread
Connection 2: To mating Q5 Plug Connector
Mounting Style: Threaded
Wetted Materials: Acetal
Non-wetted Materials: Acetal, Stainless Steel
Media/Ambient Temperature: -40°C to 82°C (-40°F to 180°F)
Recommended Filtration: Depending on application
RoHS/REACH Compliant: Yes
Other Technical Data: Connects with Q5 Couplings. This product is guaranteed to interconnect with all pre-existing industry standard interchangeable thumb-latch quick release couplings of the same size and style, or if not will be replaced or refunded. Suitable for bi-directional flow.



Price starting from: £2.35

*Price breaks available for larger quantities

● Connects with Q5 Series Plugs

More from this range



1/4" ID
In-Line - Short Body
E-Q-160550



1/4" ID
In-Line - Long Body
E-Q-160551



1/4" ID
Panel Mount
E-Q-160552



6.4mm OD/4.3mm ID
Panel Mount
E-Q-160553

Plastic Thumb Latch - Acetal - Q5 Series Couplings

E-Q-160561 - Acetal Plug Coupling, Buna-N Seal, 1/4" (6.4mm) ID Tube, Non-Valved, 1/4" Flow



Technical Data

Max. Inlet Pressure: 8.3 bar (120 psi)

Connection 1: 1/4" (6.4mm) ID Tube

Connection 2: To mating Q5 Socket Connector

Mounting Style: In-Line

Wetted Materials: Acetal, Buna-N

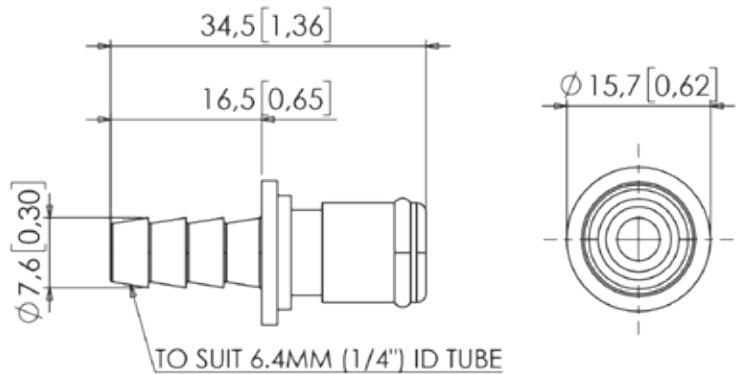
Non-wetted Materials: Acetal

Media/Ambient Temperature: -40°C to 82°C (-40°F to 180°F)

Recommended Filtration: Depending on application

RoHS/REACH Compliant: Yes

Other Technical Data: Connects with Q5 Couplings. This product is guaranteed to interconnect with all pre-existing industry standard interchangeable thumb-latch quick release couplings of the same size and style, or if not will be replaced or refunded. Suitable for bi-directional flow.



Price starting from: £0.73

*Price breaks available for larger quantities

● Connects with Q5 Series Sockets

More from this range



6.4mm OD/4.3mm ID
In-Line
E-Q-160563



1/4" ID
In-Line, Elbow
E-Q-160562



1/4" NPT
Threaded
E-Q-160560

E-Q-160565 - Acetal Plug Coupling, Buna-N Seal, 1/4" NPT Male Thread, Valved, 1/4" Flow

Technical Data

Max. Inlet Pressure: 8.3 bar (120 psi)

Connection 1: 1/4" NPT Male Thread

Connection 2: To mating Q5 Socket Connector

Mounting Style: Threaded

Wetted Materials: Acetal, 316 Stainless Steel, Buna-N

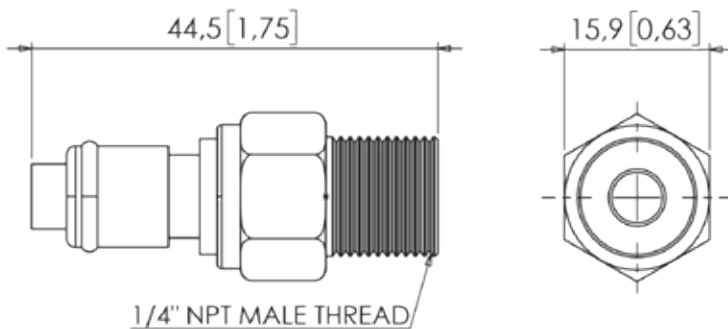
Non-wetted Materials: Acetal

Media/Ambient Temperature: -40°C to 82°C (-40°F to 180°F)

Recommended Filtration: Depending on application

RoHS/REACH Compliant: Yes

Other Technical Data: Connects with Q5 Couplings. This product is guaranteed to interconnect with all pre-existing industry standard interchangeable thumb-latch quick release couplings of the same size and style, or if not will be replaced or refunded. Suitable for bi-directional flow.



Price starting from: £4.89

*Price breaks available for larger quantities

● Connects with Q5 Series Sockets

More from this range



1/4" ID
In-Line
E-Q-160566



1/4" ID
In-Line, Elbow
E-Q-160567

Plastic Thumb Latch - Acetal - Q5 Series Couplings

E-Q-180247 - Acetal Socket Breakaway Coupling, Buna-N Seal, 1/4" (6.4mm) ID Tube, Valved, 1/4" Flow



Technical Data

Max. Inlet Pressure: 1.38 bar (20 psi)

Connection 1: 1/4" (6.4mm) ID Tube

Connection 2: To mating Q5 Plug Connector

Mounting Style: In-Line

Wetted Materials: Acetal, 316 Stainless Steel, Buna-N

Non-wetted Materials: Acetal, Stainless Steel

Media/Ambient Temperature: -40°C to 82°C (-40°F to 180°F)

Recommended Filtration: Depending on application

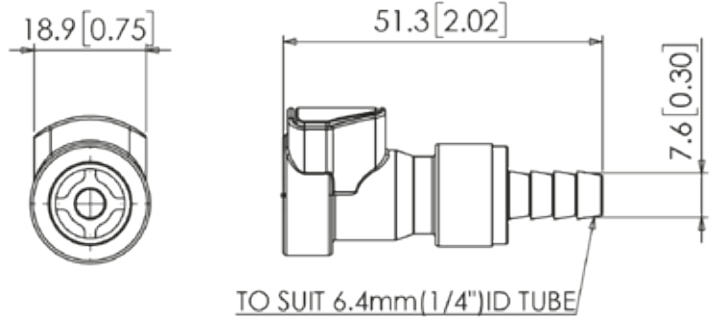
RoHS/REACH Compliant: Yes

Other Technical Data: Connects with Q5 Coupling. This product does not interconnect with all pre-existing industry standard interchangeable thumb-latch quick release couplings of the same size and style. Suitable for bi-directional flow. Nut is included. Alternative seal materials available.

Price starting from: £6.07

*Price breaks available for larger quantities

● Connects with Q5 Series Plugs



More from this range



1/4" ID
Panel Mount
E-Q-180250



1/4" NPT
Threaded
E-Q-180245

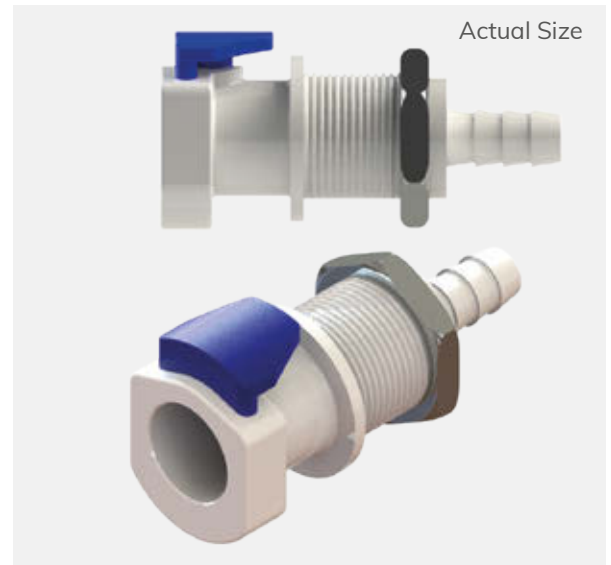
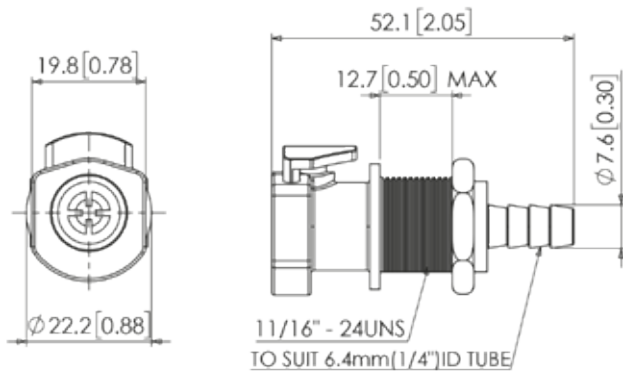
Innovative Breakaway Couplings

Designed to improve safety. These couplings disconnect using pull force without using a latching mechanism, allowing users to make a clean, fast and easy break at critical moments.

E-Q-180238 - Acetal Panel Mount Socket Breakaway Coupling, 1/4" (6.4mm) ID Tube, Non-Valved, 1/4" Flow

Technical Data

Max. Inlet Pressure: 1.38 bar (20 psi)
Connection 1: 1/4" (6.4mm) ID Tube
Connection 2: To mating Q5 Plug Connector
Mounting Style: Panel Mount
Wetted Materials: Acetal
Non-wetted Materials: Acetal, Stainless Steel, Nickel Plated Brass
Media/Ambient Temperature: -40°C to 82°C (-40°F to 180°F)
Recommended Filtration: Depending on application
RoHS/REACH Compliant: Yes
Other Technical Data: Connects with Q5 Couplings. This product does not interconnect with all pre-existing industry standard interchangeable thumb-latch quick release couplings of the same size and style. Nut is included. Suitable for bi-directional flow.



Price starting from: **£11.94**

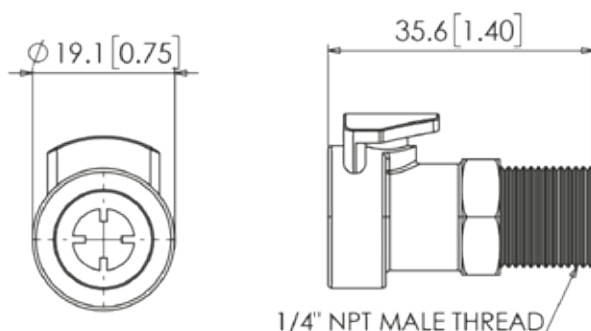
*Price breaks available for larger quantities

● Connects with Q5 Series Plugs

E-Q-180231 - Acetal Socket Breakaway Coupling, 1/4" NPT Male Thread, Non-Valved, 1/4" Flow

Technical Data

Max. Inlet Pressure: 1.38 bar (20 psi)
Connection 1: 1/4" NPT Male Thread
Connection 2: To mating Q5 Plug Connector
Mounting Style: Threaded
Wetted Materials: Acetal
Non-wetted Materials: Acetal, Stainless Steel
Media/Ambient Temperature: -40°C to 82°C (-40°F to 180°F)
Recommended Filtration: Depending on application
RoHS/REACH Compliant: Yes
Other Technical Data: Connects with Q5 Couplings. This product does not interconnect with all pre-existing industry standard interchangeable thumb-latch quick release couplings of the same size and style. Nut is included. Suitable for bi-directional flow.



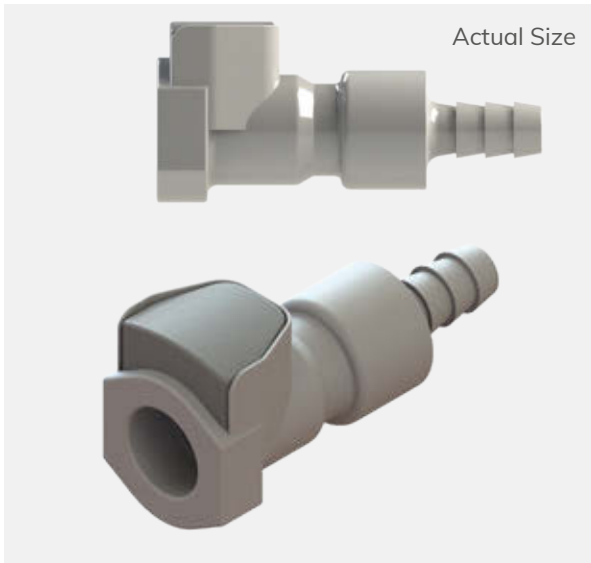
Price starting from: **£3.10**

*Price breaks available for larger quantities

● Connects with Q5 Series Plugs

Plastic Thumb Latch - Polypropylene - Q5 Series Couplings

E-Q-160570 - Cool Grey Polypropylene Socket Coupling, EPDM Seal, 1/4" (6.4mm) ID Tube, Valved, 1/4" Flow



Price starting from: £7.56

*Price breaks available for larger quantities

● Connects with Q5 Series Plugs

Technical Data

Max. Inlet Pressure: 6.89 bar (100 psi)

Connection 1: 1/4" (6.4mm) ID Tube

Connection 2: To mating Q5 Plug Connector

Mounting Style: In-Line

Wetted Materials: Medical Grade Polypropylene, 316 Stainless Steel, Peroxide-cured EPDM

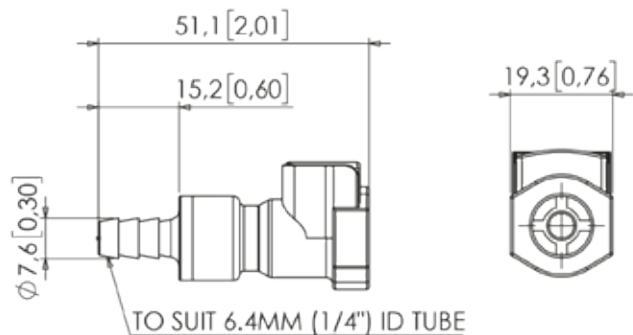
Non-wetted Materials: Medical Grade Polypropylene, Stainless Steel

Media/Ambient Temperature: 0°C to 71°C (32°F to 160°F)

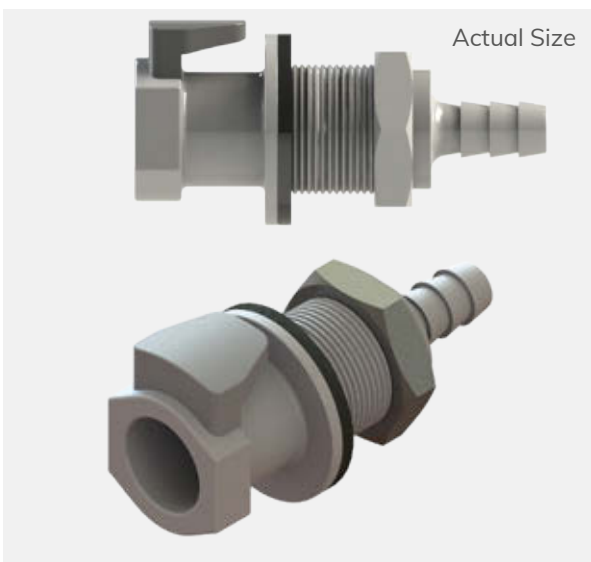
Recommended Filtration: Depending on application

RoHS/REACH Compliant: Yes

Other Technical Data: This product is guaranteed to interconnect with all pre-existing industry standard interchangeable thumb latch quick release couplings of the same size and style, or if not will be replaced or refunded. Suitable for bi-directional flow.



E-Q-160571 - Cool Grey Polypropylene Panel Mount Socket Coupling with Gasket, EPDM Seal, 1/4" (6.4mm) ID Tube, Valved, 1/4" Flow



Price starting from: £10.38

*Price breaks available for larger quantities

● Connects with Q5 Series Plugs

Technical Data

Max. Inlet Pressure: 6.89 bar (100 psi)

Connection 1: 1/4" (6.4mm) ID Tube

Connection 2: To mating Q5 Plug Connector

Mounting Style: Panel Mount

Wetted Materials: P5M6K-080 Medical Grade Gamma-Stable Polypropylene, 316 Stainless Steel, Peroxide-cured EPDM

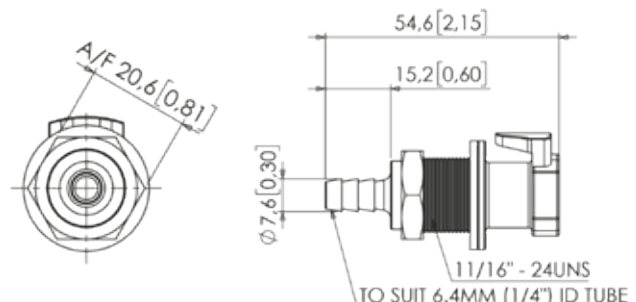
Non-wetted Materials: P5M6K-080 Medical Grade Gamma-Stable Polypropylene, Chrome Plated Brass, Stainless Steel, Peroxide-cured EPDM

Media/Ambient Temperature: 0°C to 71°C (32°F to 160°F)

Recommended Filtration: Depending on application

RoHS/REACH Compliant: Yes

Other Technical Data: This product is guaranteed to interconnect with all pre-existing industry standard interchangeable thumb-latch quick release couplings of the same size and style, or if not will be replaced or refunded. Suitable for bi-directional flow.



E-Q-160577- Cool Grey Polypropylene Elbow Plug Coupling, EPDM Seal, 1/4" (6.4mm) ID Tube, Valved, 1/4" Flow

Technical Data

Max. Inlet Pressure: 6.89 bar (100 psi)

Connection 1: 1/4" (6.4mm) ID Tube

Connection 2: To mating Q5 Socket Connector

Mounting Style: In-Line

Wetted Materials: P5M6K-080 Medical Grade Gamma-stable Polypropylene, Peroxide-cured EPDM, 316 Stainless Steel

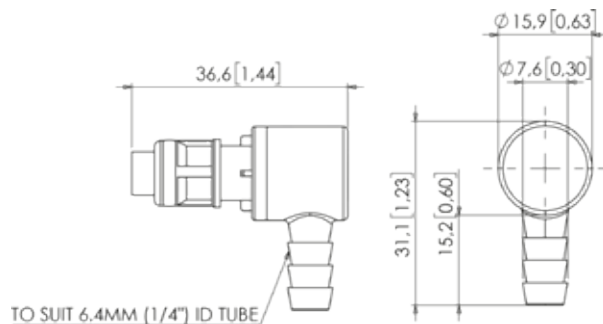
Non-wetted Materials: P5M6K-080 Medical Grade Gamma-stable Polypropylene

Media/Ambient Temperature: 0°C to 71°C (32°F to 160°F)

Recommended Filtration: Depending on application

RoHS/REACH Compliant: Yes

Other Technical Data: This product is guaranteed to interconnect with all pre-existing industry standard interchangeable thumb-latch quick release couplings of the same size and style, or if not will be replaced or refunded. Suitable for bi-directional flow.



Price starting from: £8.62

*Price breaks available for larger quantities

• Connects with Q5 Series Sockets

More from this range



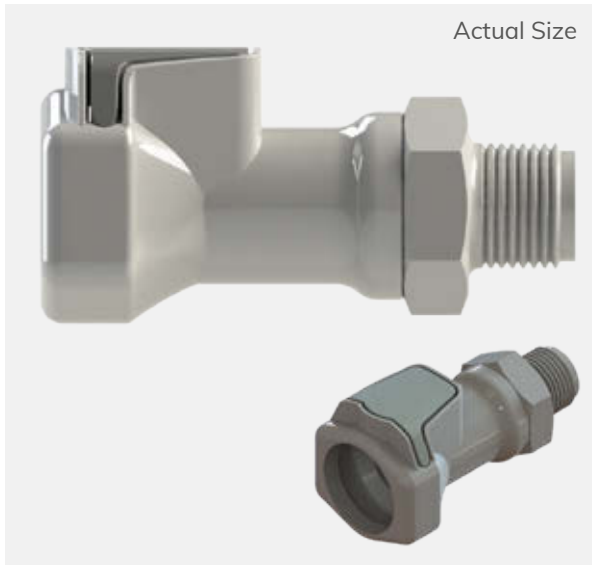
1/4" ID
In-Line
E-Q-160576



1/4" NPT
Threaded
E-Q-160575

Plastic Thumb Latch - Polypropylene - Q6 Series Couplings

E-Q-180350 - Cool Grey Polypropylene Socket Coupling, 3/8" NPT Male Thread, Non-Valved, 3/8" Flow



Technical Data

Max. Inlet Pressure: 4.1 bar (60 psi)

Connection 1: 3/8" NPT Male Thread

Connection 2: To mating Q6 Plug Connector

Mounting Style: Threaded

Wetted Materials: P5M6K-080 Medical Grade Gamma-stable Polypropylene

Non-wetted Materials: P5M6K-080 Medical Grade Gamma-stable Polypropylene, Stainless Steel

Media/Ambient Temperature: 0°C to 71°C (32°F to 160°F)

Recommended Filtration: Depending on application

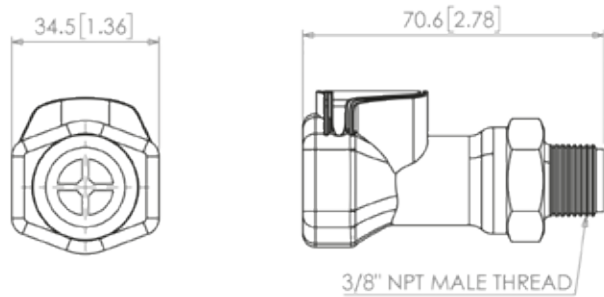
RoHS/REACH Compliant: Yes

Other Technical Data: Connects with Q6 Couplings. This product is guaranteed to interconnect with all pre-existing industry standard interchangeable thumb-latch quick release couplings of the same size and style, or if not will be replaced or refunded. Suitable for bi-directional flow.

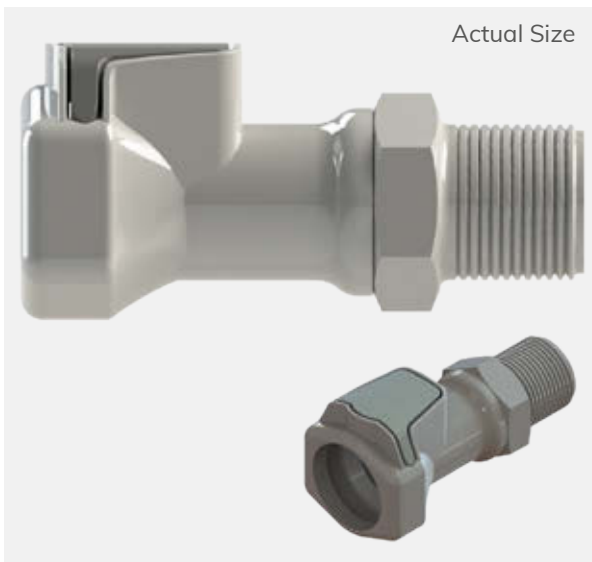
Price starting from: £7.75

*Price breaks available for larger quantities

● Connects with Q6 Series Plugs



E-Q-180351 - Cool Grey Polypropylene Socket Coupling, 1/2" NPT Male Thread, Non-Valved, 3/8" Flow



Technical Data

Max. Inlet Pressure: 4.1 bar (60 psi)

Connection 1: 1/2" NPT Male Thread

Connection 2: To mating Q6 Plug Connector

Mounting Style: Threaded

Wetted Materials: P5M6K-080 Medical Grade Gamma-stable Polypropylene

Non-wetted Materials: P5M6K-080 Medical Grade Gamma-stable Polypropylene, Stainless Steel

Media/Ambient Temperature: 0°C to 71°C (32°F to 160°F)

Recommended Filtration: Depending on application

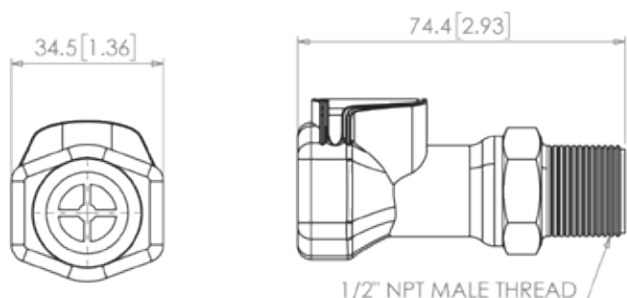
RoHS/REACH Compliant: Yes

Other Technical Data: Connects with Q6 Couplings. This product is guaranteed to interconnect with all pre-existing industry standard interchangeable thumb-latch quick release couplings of the same size and style, or if not will be replaced or refunded. Suitable for bi-directional flow.

Price starting from: £7.75

*Price breaks available for larger quantities

● Connects with Q6 Series Plugs



E-Q-200165 - Cool Grey Polypropylene Socket Coupling, EPDM Seal, 1/4" (6.4mm) ID Tube, Valved, 3/8" Flow

Technical Data

Max. Inlet Pressure: 4.1 bar (60 psi)

Connection 1: 1/4" (6.4mm) ID Tube

Connection 2: To mating Q6 Plug Connector

Mounting Style: In-Line

Wetted Materials: P5M6K-080 Medical Grade Gamma-stable Polypropylene, 316 Stainless Steel, Peroxide-cured EPDM

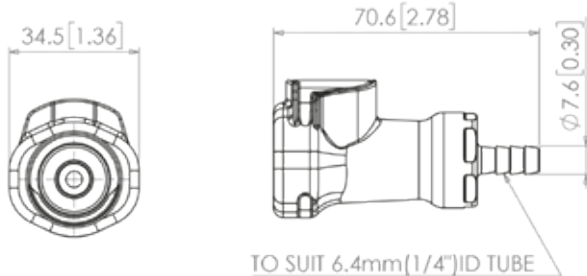
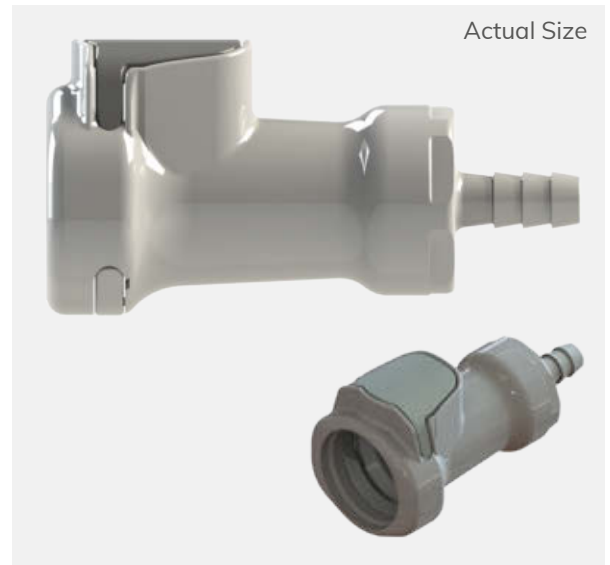
Non-wetted Materials: P5M6K-080 Medical Grade Gamma-stable Polypropylene, Stainless Steel

Media/Ambient Temperature: 0°C to 71°C (32°F to 160°F)

Recommended Filtration: Depending on application

RoHS/REACH Compliant: Yes

Other Technical Data: Connects with Q6 Couplings. This product is guaranteed to interconnect with all pre-existing industry standard interchangeable thumb-latch quick release couplings of the same size and style, or if not will be replaced or refunded. Suitable for bi-directional flow. Alternative seal materials available.



Price starting from: £10.35

*Price breaks available for larger quantities

● Connects with Q6 Series Plugs

More from this range



3/8" ID
In-Line
E-Q-180364



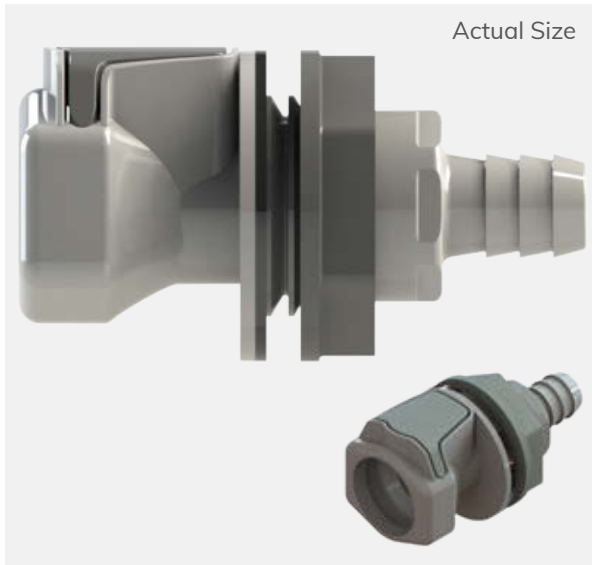
1/2" ID
In-Line
E-Q-180365



3/4" ID
In-Line
E-Q-180366

Plastic Thumb Latch - Polypropylene - Q6 Series Couplings

E-Q-180368 - Cool Grey Polypropylene Panel Mount Socket Coupling, EPDM Seal, 1/2" (12.7mm) ID Tube, Valved, 3/8" Flow



Technical Data

Max. Inlet Pressure: 4.1 bar (60 psi)

Connection 1: To mating Q6 Plug Connector

Connection 2: 1/2" (12.7mm) ID Tube

Mounting Style: Panel Mount

Wetted Materials: P5M6K-080 Medical Grade Gamma-stable Polypropylene, 316 Stainless Steel, Peroxide-cured EPDM

Non-wetted Materials: P5M6K-080 Medical Grade Gamma-stable Polypropylene, Stainless Steel, EPDM

Media/Ambient Temperature: 0°C to 71°C (32°F to 160°F)

Recommended Filtration: Depending on application

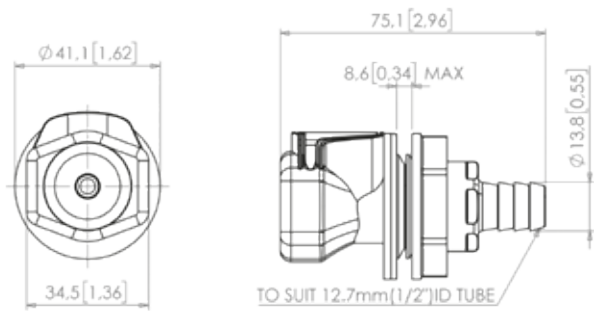
RoHS/REACH Compliant: Yes

Other Technical Data: Connects with Q6 Couplings. This product is guaranteed to interconnect with all pre-existing industry standard interchangeable thumb-latch quick release couplings of the same size and style, or if not will be replaced or refunded. Nut and gasket are included. Suitable for bi-directional flow.

Price starting from: £13.30

*Price breaks available for larger quantities

● Connects with Q6 Series Plugs



More from this range



3/8" ID
Panel Mount
E-Q-180367



3/8" ID
Panel Mount - Elbow
E-Q-180370



3/4" ID
Panel Mount
E-Q-180369

E-Q-180362 - Cool Grey Polypropylene Socket Coupling, EPDM Seal, 1/2" NPT Male Thread, Valved, 3/8" Flow

Technical Data

Max. Inlet Pressure: 4.1 bar (60 psi)

Connection 1: 1/2" NPT Male Thread

Connection 2: To mating Q6 Plug Connector

Mounting Style: Threaded

Wetted Materials: P5M6K-080 Medical Grade Gamma-stable Polypropylene, 316 Stainless Steel, Peroxide-cured EPDM

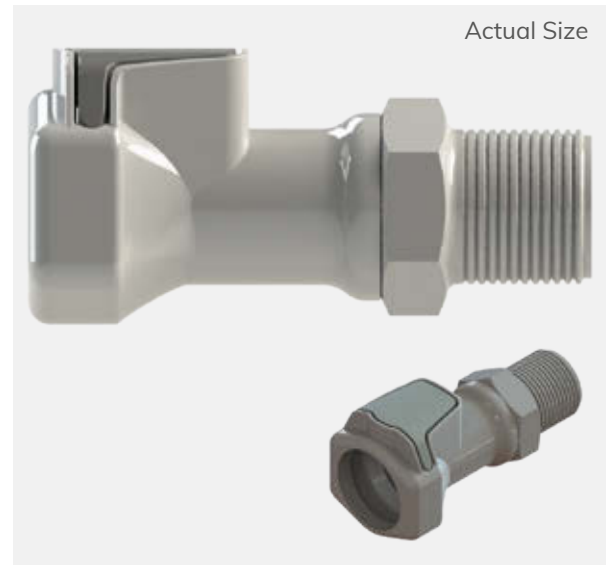
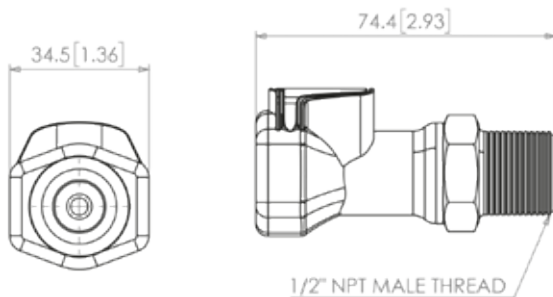
Non-wetted Materials: P5M6K-080 Medical Grade Gamma-stable Polypropylene, Stainless Steel

Media/Ambient Temperature: 0°C to 71°C (32°F to 160°F)

Recommended Filtration: Depending on application

RoHS/REACH Compliant: Yes

Other Technical Data: Connects with Q6 Couplings. This product is guaranteed to interconnect with all pre-existing industry standard interchangeable thumb-latch quick release couplings of the same size and style, or if not will be replaced or refunded. Suitable for bi-directional flow. Alternative seal materials available.



Price starting from: £9.83

*Price breaks available for larger quantities

• Connects with Q6 Series Plugs

E-Q-180361 - Cool Grey Polypropylene Socket Coupling, EPDM Seal, 3/8" NPT Male Thread, Valved, 3/8" Flow

Technical Data

Max. Inlet Pressure: 4.1 bar (60 psi)

Connection 1: 3/8" NPT Male Thread

Connection 2: To mating Q6 Plug Connector

Mounting Style: Threaded

Wetted Materials: P5M6K-080 Medical Grade Gamma-stable Polypropylene, 316 Stainless Steel, Peroxide-cured EPDM

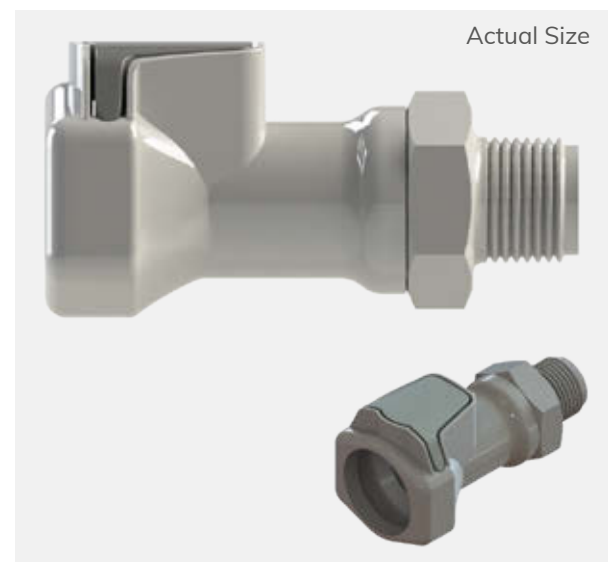
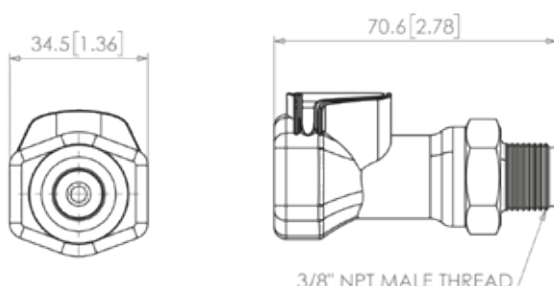
Non-wetted Materials: P5M6K-080 Medical Grade Gamma-stable Polypropylene, Stainless Steel

Media/Ambient Temperature: 0°C to 71°C (32°F to 160°F)

Recommended Filtration: Depending on application

RoHS/REACH Compliant: Yes

Other Technical Data: Connects with Q6 Couplings. This product is guaranteed to interconnect with all pre-existing industry standard interchangeable thumb-latch quick release couplings of the same size and style, or if not will be replaced or refunded. Suitable for bi-directional flow. Alternative seal materials available.



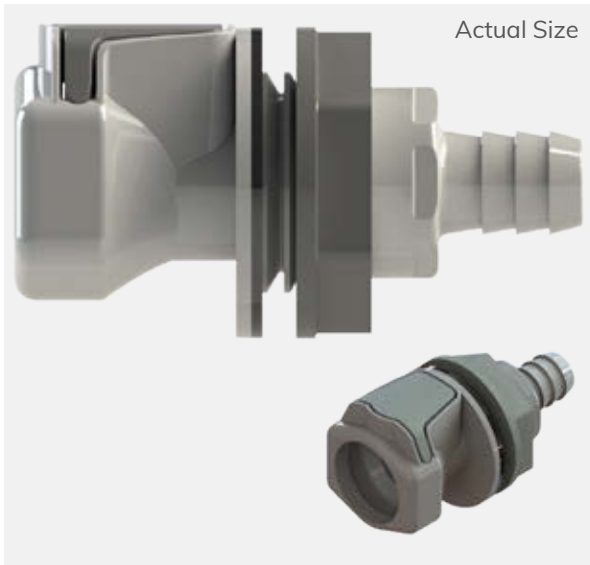
Price starting from: £9.83

*Price breaks available for larger quantities

• Connects with Q6 Series Plugs

Plastic Thumb Latch - Polypropylene - Q6 Series Couplings

E-Q-180357 - Cool Grey Polypropylene Panel Mount Socket Coupling, 1/2" (12.7mm) ID Tube, Non-Valved, 3/8" Flow



Technical Data

Max. Inlet Pressure: 4.1 bar (60 psi)

Connection 1: 1/2" (12.7mm) ID Tube

Connection 2: To mating Q6 Plug Connector

Mounting Style: Panel Mount

Wetted Materials: P5M6K-080 Medical Grade Gamma-stable Polypropylene

Non-wetted Materials: P5M6K-080 Medical Grade Gamma-stable Polypropylene, Stainless Steel, EPDM

Media/Ambient Temperature: 0°C to 71°C (32°F to 160°F)

Recommended Filtration: Depending on application

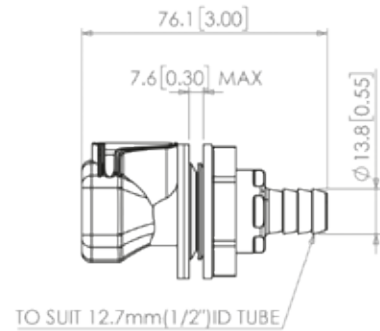
RoHS/REACH Compliant: Yes

Other Technical Data: Connects with Q6 Couplings. This product is guaranteed to interconnect with all pre-existing industry standard interchangeable thumb-latch quick release couplings of the same size and style, or if not will be replaced or refunded. Nut and gasket are included. Suitable for bi-directional flow.

Price starting from: £11.36

*Price breaks available for larger quantities

● Connects with Q6 Series Plugs



More from this range



3/8" ID
Panel Mount
E-Q-180356



3/8" ID
Panel Mount - Elbow
E-Q-180359



3/4" ID
Panel Mount
E-Q-180358

E-Q-200162 - Cool Grey Polypropylene Panel Mount Plug Coupling, EPDM Seal, 1/4" 6.4mm) ID Tube, Valved, 3/8" Flow

Technical Data

Max. Inlet Pressure: 4.1 bar (60 psi)

Connection 1: To mating Q6 Socket Connector

Connection 2: 1/4" (6.4mm) ID Tube

Mounting Style: Panel Mount

Wetted Materials: P5M6K-080 Medical Grade Gamma-stable Polypropylene, Peroxide-cured EPDM, 316 Stainless Steel

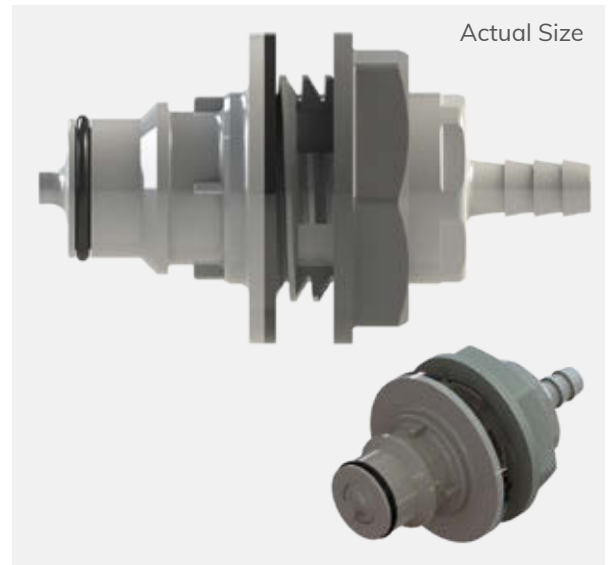
Non-wetted Materials: P5M6K-080 Medical Grade Gamma-stable Polypropylene, EPDM

Media/Ambient Temperature: 0°C to 71°C (32°F to 160°F)

Recommended Filtration: Depending on application

RoHS/REACH Compliant: Yes

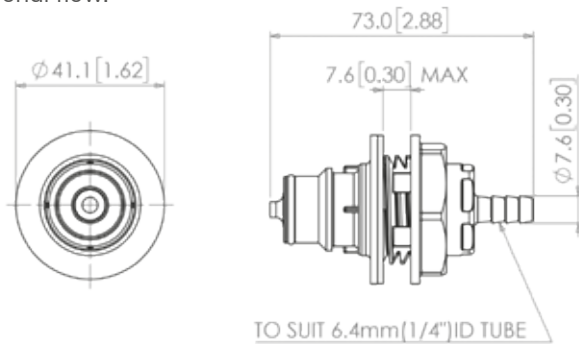
Other Technical Data: Connects with Q6 Couplings. This product is guaranteed to interconnect with all pre-existing industry standard interchangeable thumb-latch quick release couplings of the same size and style, or if not will be replaced or refunded. Suitable for bi-directional flow.



Price starting from: £12.90

*Price breaks available for larger quantities

● Connects with Q2 Series Sockets



More from this range



3/8" ID
In-Line - Non-Valved
E-Q-180353



1/2" ID
In-Line - Non-Valved
E-Q-180354



3/4" ID
In-Line - Non-Valved
E-Q-180355

Plastic Thumb Latch - Polypropylene - Q6 Series Couplings

E-Q-200159 - Cool Grey Polypropylene Plug Coupling, EPDM Seal, 1/4" (6.4mm) ID Tube, Non-Valved, 3/8" Flow



Technical Data

Max. Inlet Pressure: 4.1 bar (60 psi)

Connection 1: 1/4" (6.4mm) ID Tube

Connection 2: To mating Q6 Socket Connector

Mounting Style: In-Line

Wetted Materials: P5M6K-080 Medical Grade Gamma-stable Polypropylene, Peroxide-cured EPDM

Non-wetted Materials: P5M6K-080 Medical Grade Gamma-stable Polypropylene

Media/Ambient Temperature: 0°C to 71°C (32°F to 160°F)

Recommended Filtration: Depending on application

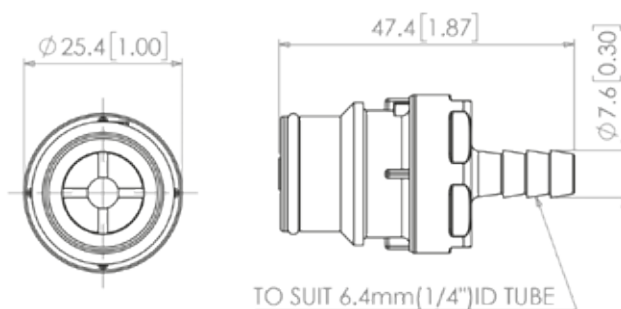
RoHS/REACH Compliant: Yes

Other Technical Data: Connects with Q6 Couplings. This product is guaranteed to interconnect with all pre-existing industry standard interchangeable thumb-latch quick release couplings of the same size and style, or if not will be replaced or refunded. Suitable for bi-directional flow. Alternative seal materials available.

Price starting from: £3.51

*Price breaks available for larger quantities

● Connects with Q6 Series Sockets



More from this range



3/8" ID
In-Line
E-Q-180327



1/2" ID
In-Line
E-Q-180328



3/4" ID
In-Line
E-Q-180329



3/8" ID
In-Line, Elbow
E-Q-180333



1/2" ID
In-Line, Elbow
E-Q-180334

E-Q-180331 - Cool Grey Polypropylene Panel Mount Plug Coupling, EPDM Seal, 1/2" (12.7mm) ID Tube, Non-Valved, 3/8" Flow

Technical Data

Max. Inlet Pressure: 4.1 bar (60 psi)

Connection 1: 1/2" (12.7mm) ID Tube

Connection 2: To mating Q6 Socket Connector

Mounting Style: Panel Mount

Wetted Materials: P5M6K-080 Medical Grade Gamma-stable Polypropylene, Peroxide-cured, EPDM

Non-wetted Materials: P5M6K-080 Medical Grade Gamma-stable Polypropylene, EPDM

Media/Ambient Temperature: 0°C to 71°C (32°F to 160°F)

Recommended Filtration: Depending on application

RoHS/REACH Compliant: Yes

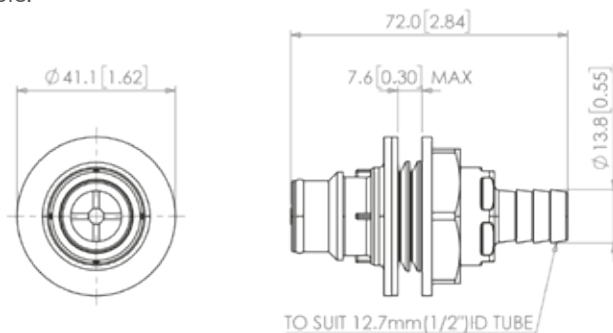
Other Technical Data: Connects with Q6 Couplings. This product is guaranteed to interconnect with all pre-existing industry standard interchangeable thumb-latch quick release couplings of the same size and style, or if not will be replaced or refunded. Nut and gasket are included. Suitable for bi-directional flow. Alternative seal materials available.



Price starting from: £11.01

*Price breaks available for larger quantities

● Connects with Q6 Series Sockets



More from this range



3/8" ID
Panel Mount
E-Q-180330



1/2" ID
Panel Mount - Elbow
E-Q-180336

Plastic Thumb Latch - Polypropylene - Q6 Series Couplings

E-Q-180324 - Cool Grey Polypropylene Plug Coupling, EPDM Seal, 3/8" NPT Male Thread, Non-Valved, 3/8" Flow



Technical Data

Max. Inlet Pressure: 4.1 bar (60 psi)

Connection 1: 3/8" NPT Male Thread

Connection 2: To mating Q6 Socket Connector

Mounting Style: Threaded

Wetted Materials: P5M6K-080 Medical Grade Gamma-stable Polypropylene, Peroxide-cured EPDM

Non-wetted Materials: P5M6K-080 Medical Grade Gamma-stable Polypropylene

Media/Ambient Temperature: 0°C to 71°C (32°F to 160°F)

Recommended Filtration: Depending on application

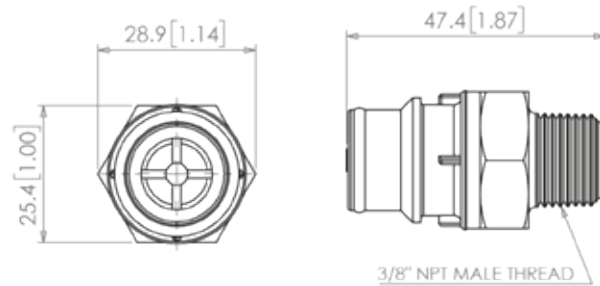
RoHS/REACH Compliant: Yes

Other Technical Data: Connects with Q6 Couplings. This product is guaranteed to interconnect with all pre-existing industry standard interchangeable thumb-latch quick release couplings of the same size and style, or if not will be replaced or refunded. Suitable for bi-directional flow. Alternative seal materials available.

Price starting from: £3.75

*Price breaks available for larger quantities

● Connects with Q6 Series Sockets



E-Q-180326 - Cool Grey Polypropylene Plug Coupling, EPDM Seal, 3/4" NPT Male Thread, Non-Valved, 3/8" Flow



Technical Data

Max. Inlet Pressure: 4.1 bar (60 psi)

Connection 1: 3/4" NPT Male Thread

Connection 2: To mating Q6 Socket Connector

Mounting Style: Threaded

Wetted Materials: P5M6K-080 Medical Grade Gamma-stable Polypropylene, Peroxide-cured EPDM

Non-wetted Materials: P5M6K-080 Medical Grade Gamma-stable Polypropylene

Media/Ambient Temperature: 0°C to 71°C (32°F to 160°F)

Recommended Filtration: Depending on application

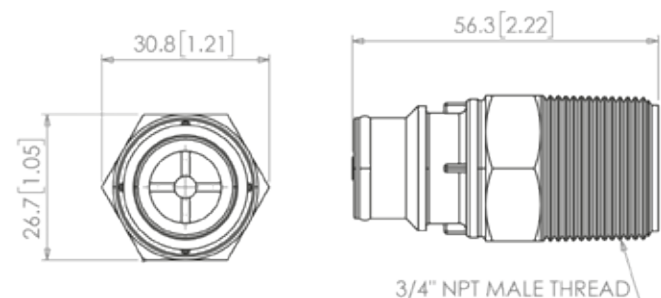
RoHS/REACH Compliant: Yes

Other Technical Data: Connects with Q6 Couplings. This product is guaranteed to interconnect with all pre-existing industry standard interchangeable thumb-latch quick release couplings of the same size and style, or if not will be replaced or refunded. Suitable for bi-directional flow. Alternative seal materials available.

Price starting from: £3.83

*Price breaks available for larger quantities

● Connects with Q6 Series Sockets



E-Q-180341 - Cool Grey Polypropylene Plug Coupling, EPDM Seal, 1/2" (12.7mm) ID Tube, Valved, 3/8" Flow

Technical Data

Max. Inlet Pressure: 4.1 bar (60 psi)

Connection 1: 1/2" (12.7mm) ID Tube

Connection 2: To mating Q6 Socket Connector

Mounting Style: In-Line

Wetted Materials: P5M6K-080 Medical Grade Gamma-stable Polypropylene, Peroxide-cured EPDM, 316 Stainless Steel

Non-wetted Materials: P5M6K-080 Medical Grade Gamma-stable Polypropylene

Media/Ambient Temperature: 0°C to 71°C (32°F to 160°F)

Recommended Filtration: Depending on application

RoHS/REACH Compliant: Yes

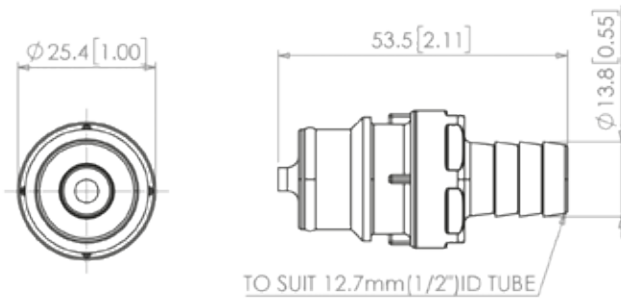
Other Technical Data: Connects with Q6 Couplings. This product is guaranteed to interconnect with all pre-existing industry standard interchangeable thumb-latch quick release couplings of the same size and style, or if not will be replaced or refunded. Suitable for bi-directional flow. Alternative seal materials available.



Price starting from: £7.94

*Price breaks available for larger quantities

● Connects with Q6 Series Sockets



More from this range



3/8" ID
In-Line
E-Q-180340



3/4" ID
In-Line
E-Q-180342



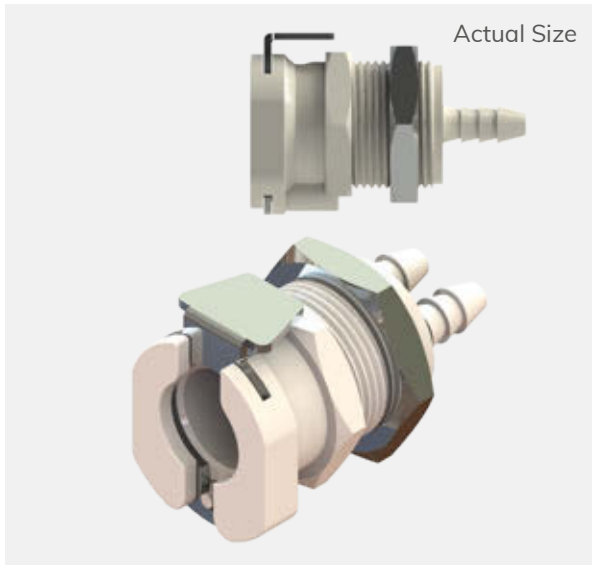
3/8" ID
In-Line, Elbow
E-Q-180346



1/2" ID
In-Line, Elbow
E-Q-180347

Plastic Thumb Latch - ABS - Q42 Series Couplings

E-Q-160547 - Medical Grade Panel Mount ABS Dual Line Socket Coupling, 1/8" (3.2mm) ID Tube, Non-Valved, 3/32" Flow



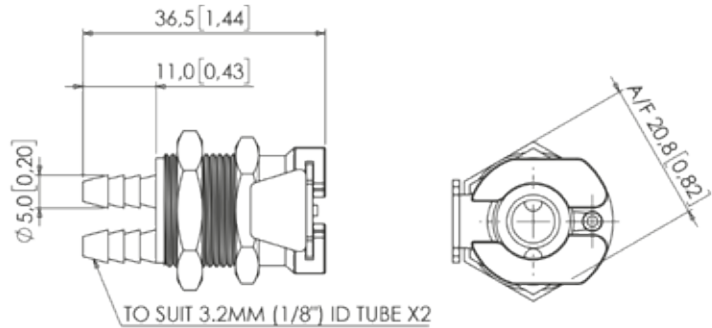
Technical Data

Max. Inlet Pressure: 8.3 bar (120 psi)
Connection 1: 1/8" (3.2mm) ID Tube x2
Connection 2: To mating Q42 Plug Connector
Mounting Style: Panel Mount
Wetted Materials: Medical Grade ABS
Non-wetted Materials: Medical Grade ABS, Stainless Steel, Nickel Plated Brass
Media/Ambient Temperature: -40°C to 82°C (-40°F to 180°F)
Recommended Filtration: Depending on application
RoHS/REACH Compliant: Yes
Other Technical Data: Connects with Q42 Couplings. This product is guaranteed to interconnect with all pre-existing industry standard interchangeable thumb latch quick release couplings of the same size and style, or if not will be replaced or refunded. Nut is included. Suitable for bi-directional flow.

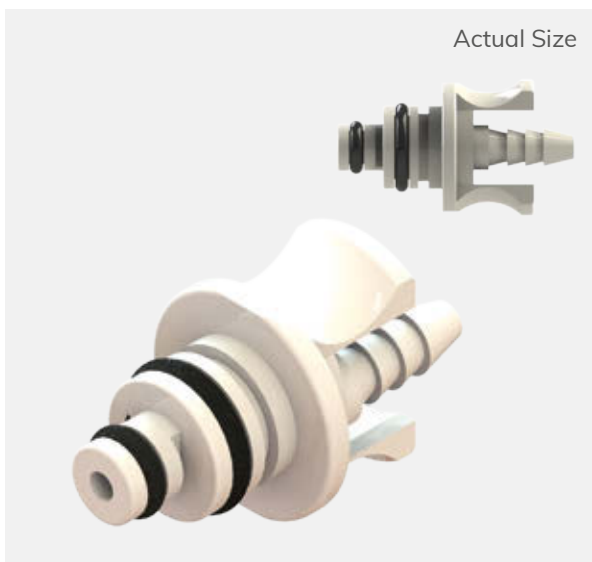
Price starting from: £8.61

*Price breaks available for larger quantities

● Connects with Q42 Series Plugs



E-Q-160548 - Medical Grade ABS Dual Line Plug Coupling, Buna-N Seal, 1/8" (3.2mm) ID Tube, Non-Valved, 3/32" Flow



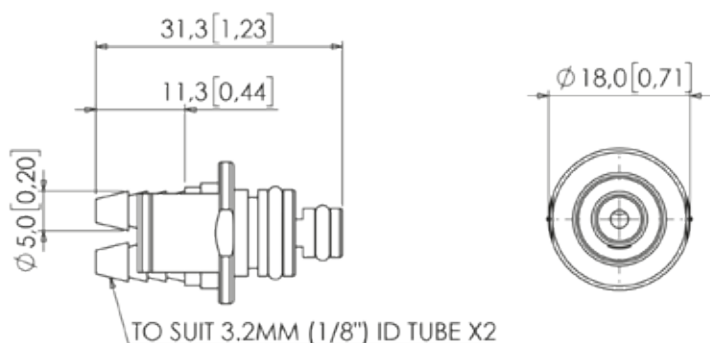
Technical Data

Max. Inlet Pressure: 8.3 bar (120 psi)
Connection 1: 1/8" (3.2mm) ID Tube x2
Connection 2: To mating Q42 Socket Connector
Mounting Style: In-Line
Wetted Materials: Medical Grade ABS, Buna-N
Non-wetted Materials: Medical Grade ABS
Media/Ambient Temperature: -40°C to 82°C (-40°F to 180°F)
Recommended Filtration: Depending on application
RoHS/REACH Compliant: Yes
Other Technical Data: Connects with Q42 Couplings. This product is guaranteed to interconnect with all pre-existing industry standard interchangeable thumb latch quick release couplings of the same size and style, or if not will be replaced or refunded. Suitable for bi-directional flow.

Price starting from: £5.85

*Price breaks available for larger quantities

● Connects with Q42 Series Sockets



We also offer a Side Latch Coupling

Eox also offers a side latch coupling. The ergonomically designed side latch couplings involve a pair of mechanical locking devices positioned on the side of the male half of the coupling. The coupling halves simply snap into place with an audible 'click' and are released by pinching the side latches and pulling back.

The dual latch mechanism helps prevent accidental disconnection during use, and provides a cost effective solution to reusable small bore tubing applications.

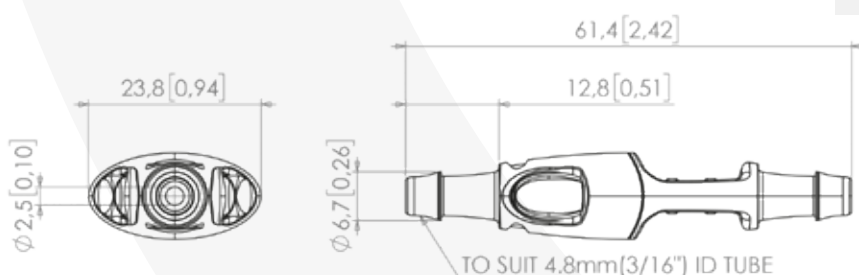
Key features include:

- Audible click to ensure a secure connection
- One-handed disconnection
- Dual latch makes connection more secure
- Resistant to most chemicals and suitable for industrial and medical applications
- Cleanroom manufactured
- Gamma radiation, EtO compatible
- Life cycle tested up to 1500 connections
- Lubricated O-rings for long service life

E-Q-160288 - Quick-Connect Coupling Blue Male and Grey Female Set, 3/16" (4.8mm) ID Tubing Hose Barb Fitting

Technical Data

Connection: 3/16" (4.8mm) ID Tube
Mounting Style: In-Line
Wetted Materials: Nylon, Buna-N
Non-wetted Materials: Nylon
Recommended Filtration: Depending on application
RoHS/REACH Compliant: Yes
Regulatory Information: 21 CFR 177.1500 FDA Approved
Cleanroom Manufactured: Class 8 (100,000) Cleanroom
Other Technical Data: Quick-Connect Coupling Blue Male and Grey Female Set. BPA Free. DEHP Free.



Price starting from: £1.48

*Price breaks available for larger quantities

Twist Lock



Key features include:

- Utilising the twist lock method the twist lock is easy to use and align
- Audible click to ensure a secure connection
- Quarter turn operation
- Resistant to most chemicals and suitable for industrial and medical applications
- Ideal for general purpose and single-use application
- Prevent misconnection with other types of connectors
- Cleanroom manufacturing available
- Double O-ring
- Up to 10,000 connections
- Wing feature

What is a Plastic Twist Lock?

Twist lock couplings require a two-handed operation, twist to lock and twist to release. These couplings are easy to use and to know when safely coupled. By way of an audible 'click' or a 'hard stop' you can be sure the couplings are fully connected, providing safe and secure use. It prevents kinked tubing and accidental disconnection during use.

Eox provides a huge range of media bag connections with twist-lock options along with a range for pouch fitments in male-female options.

Available in the following Options:

Wing option (easy to grip)

Valved & Non Valved

Operating Pressure:

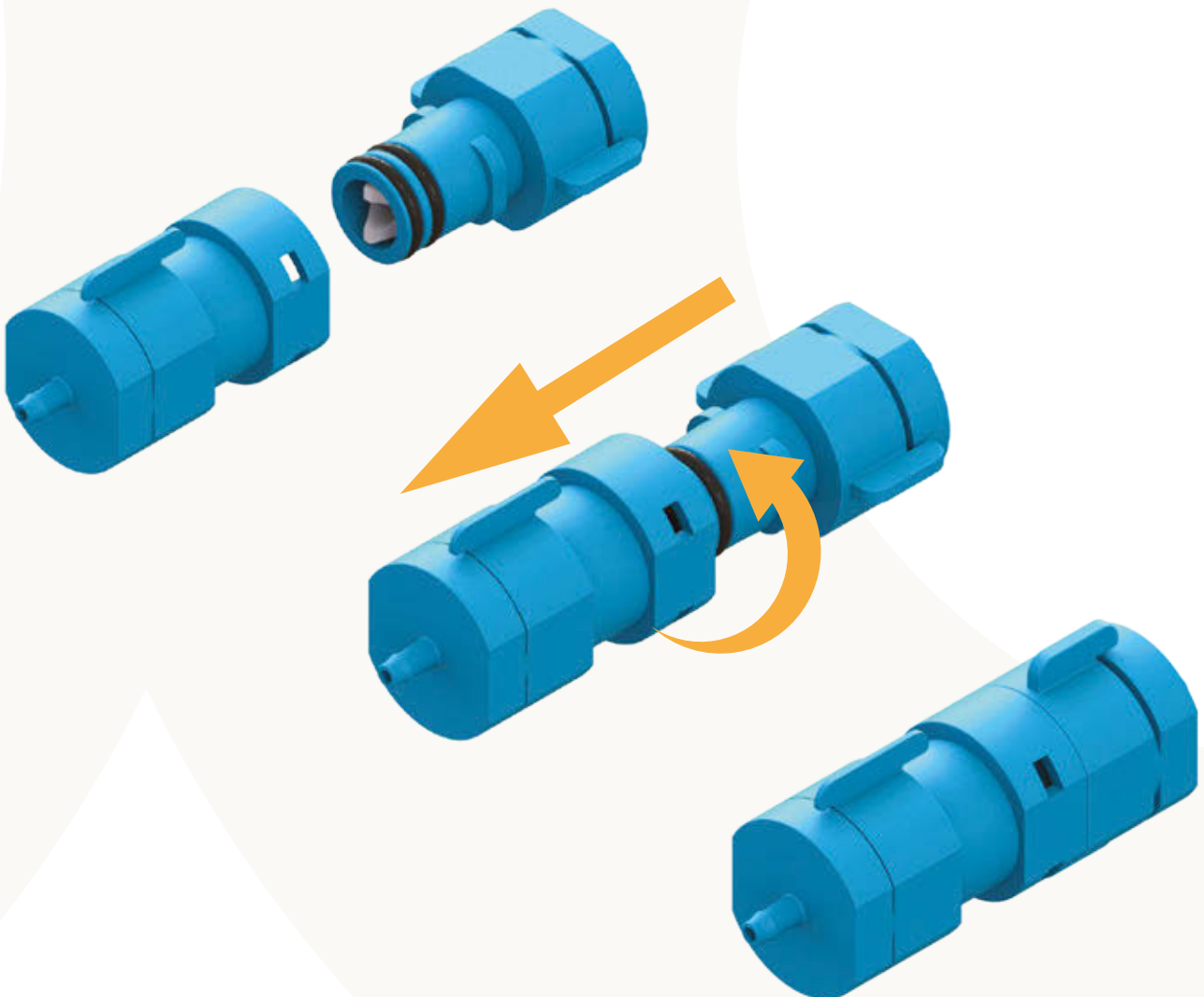
Vacuum to 125 psi (8.6 bar)

Material Options:

Body: Acetal(POM), Medical-Grade Polypropylene, Nylon

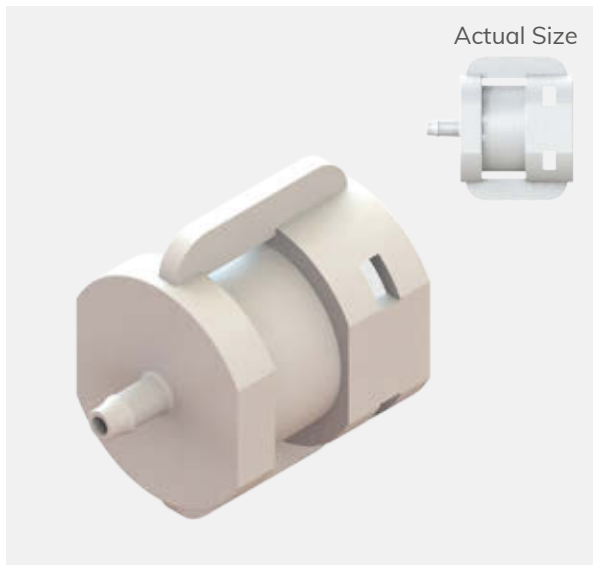
O-rings: Peroxide cured EPDM, Silicone, Buna-N (others available)

Springs: 316 Stainless Steel



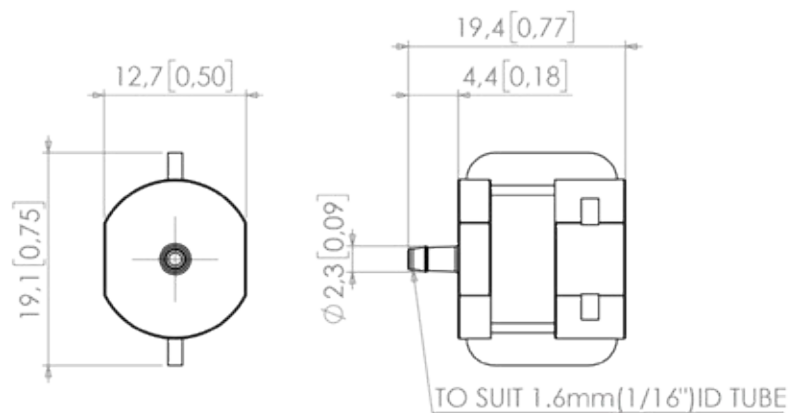
Twist Lock Couplings - Nylon

E-Q-160074 - White Plastic Quick-Connect 1/4 Turn Coupling, Non-Valved, 1/16" (1.6mm) ID Barb to Socket Connector



Technical Data

Max. Inlet Pressure: 8.62 bar (125 psi)
Flow Rate: 1.51 LPM, 0.05 SCFM
Connection 1: 1/16" (1.6mm) ID Tube
Connection 2: To mating Plug Connector
Mounting Style: In-Line
Wetted Materials: Nylon
Non-wetted Materials: Nylon
Media/Ambient Temperature: -46°C to 121°C (-50°F to 250°F)
Recommended Filtration: Depending on application
RoHS/REACH Compliant: Yes
Other Technical Data: White Plastic Quick-Connect 1/4 Turn Coupling, 1/16" (1.6mm) ID Barb to Socket Connector.



Price starting from: £1.24

*Price breaks available for larger quantities

Also Available in Black
E-Q-160075

More from this range



3/32" ID
 In-Line
E-Q-160076 - White
E-Q-160077 - Black



1/8" ID
 In-Line
E-Q-160078 - White
E-Q-160079 - Black



5/32" ID
 In-Line
E-Q-160080 - White
E-Q-160081 - Black



3/16" ID
 In-Line
E-Q-160082 - White
E-Q-160083 - Black



1/4" ID
 In-Line
E-Q-160084 - White
E-Q-160085 - Black



1/8" NPT
 In-Line
E-Q-160130 - White
E-Q-160131 - Black



1/4" NPT
 In-Line
E-Q-160132 - White
E-Q-160133 - Black



Female Cap
Panel Mount
E-Q-160148 - White
E-Q-160149 - Black

E-Q-160086 - White Plastic Quick-Connect 1/4 Turn Coupling, Non-Valved, 1/16" (1.6mm) ID Barb to Plug Connector

Technical Data

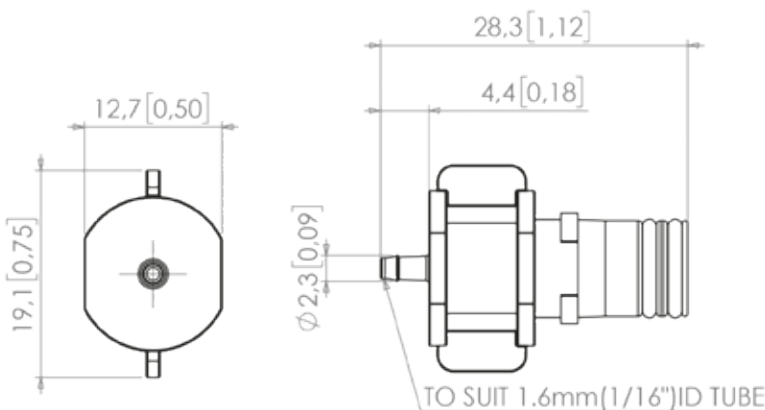
Max. Inlet Pressure: 8.62 bar (125 psi)
Flow Rate: 1.51 LPM, 0.05 SCFM
Connection 1: 1/16" (1.6mm) ID Tube
Connection 2: To mating Socket Connector
Mounting Style: In-Line
Wetted Materials: Nylon, Buna-N
Non-wetted Materials: Nylon
Media/Ambient Temperature: -46°C to 121°C (-50°F to 250°F)
Recommended Filtration: Depending on application
RoHS/REACH Compliant: Yes
Other Technical Data: White Plastic Quick-Connect 1/4 Turn Coupling, 1/16" (1.6mm) ID Barb to Plug Connector.



Price starting from: £1.91

*Price breaks available for larger quantities

● Also Available in Black
E-Q-160087



More from this range



**3/32" ID
In-Line
E-Q-160088 - White
E-Q-160089 - Black**



**1/8" ID
In-Line
E-Q-160090 - White
E-Q-160091 - Black**



**5/32" ID
In-Line
E-Q-160092 - White
E-Q-160093 - Black**



**3/16" ID
In-Line
E-Q-160094 - White
E-Q-160095 - Black**



**1/4" ID
In-Line
E-Q-160096 - White
E-Q-160097 - Black**



**1/8" NPT
In-Line
E-Q-160134 - White
E-Q-160135 - Black**



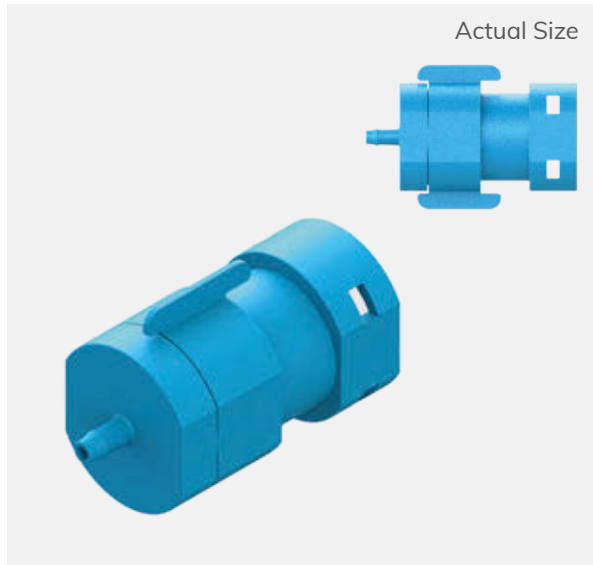
**1/4" NPT
In-Line
E-Q-160136 - White
E-Q-160137 - Black**



**Male Cap Plug
In-Line
E-Q-160156 - White
E-Q-160157 - Black**

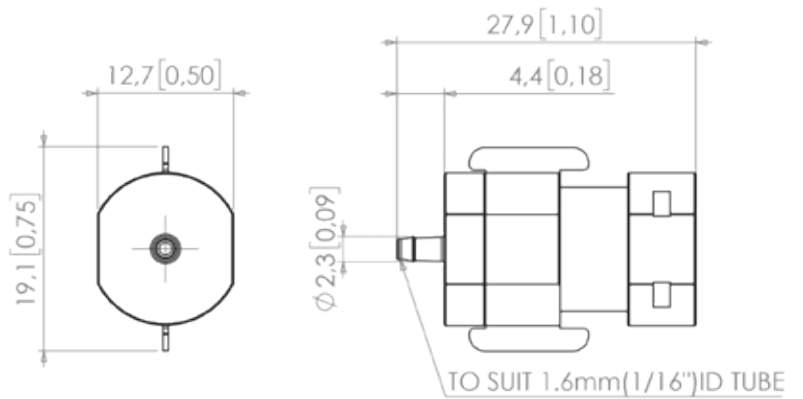
Twist Lock Couplings - Nylon

E-Q-160098 - Blue Plastic Quick-Connect 1/4 Turn Coupling, Valved, 1/16" (1.6mm) ID Barb to Socket Connector



Technical Data

Max. Inlet Pressure: 8.62 bar (125 psi)
Flow Rate: 1.51 LPM, 0.05 SCFM
Connection 1: 1/16" (1.6mm) ID Tube
Connection 2: To mating Plug Connector
Mounting Style: In-Line
Wetted Materials: Nylon, Acetal, Buna-N, 316 Stainless Steel
Non-wetted Materials: Nylon
Media/Ambient Temperature: -46°C to 121°C (-50°F to 250°F)
Recommended Filtration: Depending on application
RoHS/REACH Compliant: Yes
Other Technical Data: Blue Plastic Quick-Connect 1/4 Turn Coupling, Valved, 1/16" (1.6mm) ID Barb to Socket Connector.



Price starting from: £6.03

*Price breaks available for larger quantities

Also Available in Grey
 E-Q-160099

More from this range



3/32" ID
 In-Line
 E-Q-160100 - Blue
 E-Q-160101 - Grey



1/8" ID
 In-Line
 E-Q-160102 - Blue
 E-Q-160103 - Grey



5/32" ID
 In-Line
 E-Q-160104 - Blue
 E-Q-160105 - Grey



3/16" ID
 In-Line
 E-Q-160106 - Blue
 E-Q-160107 - Grey



1/4" ID
 In-Line
 E-Q-160108 - Blue
 E-Q-160109 - Grey



1/8" NPT
 In-Line
 E-Q-160138 - Blue
 E-Q-160139 - Grey



1/4" NPT
 In-Line
 E-Q-160140 - Blue
 E-Q-160141 - Grey

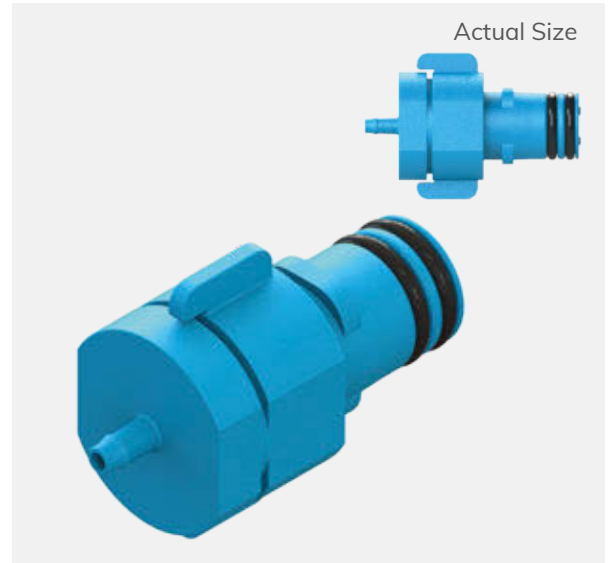


Long Body, Female
 Cap Socket Connector
 E-Q-160152 - Blue
 E-Q-160153 - Grey

E-Q-160110 - Blue Plastic Quick-Connect 1/4 Turn Coupling, Valved, 1/16" (1.6mm) ID Barb to Plug Connector

Technical Data

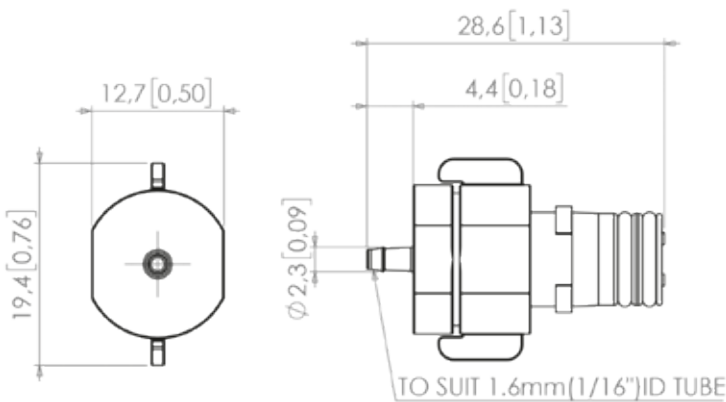
Max. Inlet Pressure: 8.62 bar (125 psi)
Flow Rate: 1.51 LPM, 0.05 SCFM
Connection 1: 1/16" (1.6mm) ID Tube
Connection 2: To mating Socket Connector
Mounting Style: In-Line
Wetted Materials: Nylon, Acetal, Buna-N, 316 Stainless Steel
Non-wetted Materials: Nylon
Media/Ambient Temperature: -46°C to 121°C (-50°F to 250°F)
Recommended Filtration: Depending on application
RoHS/REACH Compliant: Yes
Other Technical Data: Blue Plastic Quick-Connect 1/4 Turn Coupling, Valved, 1/16" (1.6mm) ID Barb to Plug Connector.



Price starting from: £6.76

*Price breaks available for larger quantities

● Also Available in Grey
E-Q-160111



More from this range



3/32" ID
 In-Line
 E-Q-160112 - Blue
 E-Q-160113 - Grey



1/8" ID
 In-Line
 E-Q-160114 - Blue
 E-Q-160115 - Grey



5/32" ID
 In-Line
 E-Q-160116 - Blue
 E-Q-160117 - Grey



3/16" ID
 In-Line
 E-Q-160118 - Blue
 E-Q-160119 - Grey



1/4" ID
 In-Line
 E-Q-160120 - Blue
 E-Q-160121 - Grey



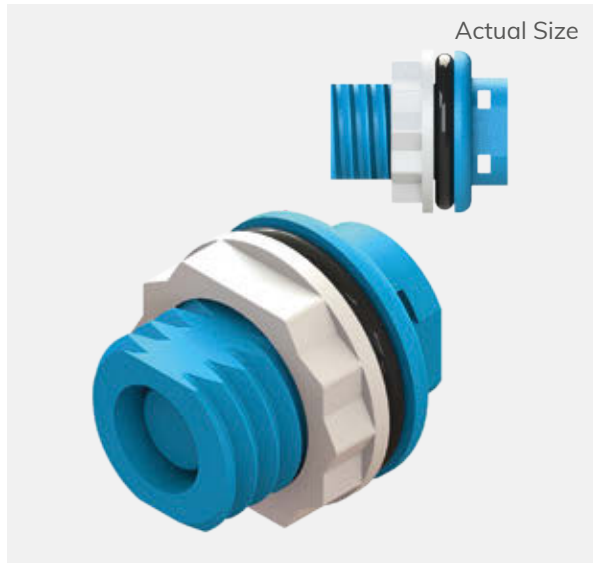
1/8" NPT
 In-Line
 E-Q-160142 - Blue
 E-Q-160143 - Grey



1/4" NPT
 In-Line
 E-Q-160144 - Blue
 E-Q-160145 - Grey

Twist Lock Couplings - Nylon

E-Q-160150 - Blue Plastic Quick-Connect 1/4 Turn Coupling, Valved, 5/8-11 UNC Thread to Female Socket Connector

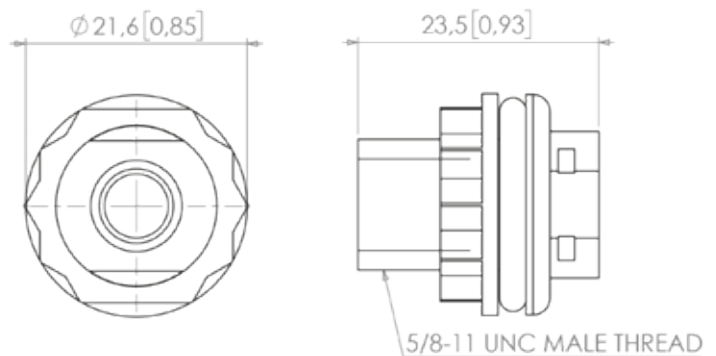


Technical Data

Max. Inlet Pressure: 8.62 bar (125 psi)
Connection 1: 5/8-11 UNC Thread
Connection 2: To mating Plug Connector
Mounting Style: Panel Mount
Wetted Materials: Nylon, Acetal, Buna-N, Stainless Steel 316
Non-wetted Materials: Nylon
Media/Ambient Temperature: -46°C to 121°C (-50°F to 250°F)
Recommended Filtration: Depending on application
RoHS/REACH Compliant: Yes
Other Technical Data: Blue Plastic Quick-Connect 1/4 Turn Coupling, Valved, 5/8-11 UNC Thread to Female Socket Connector.

Price starting from: £6.76

*Larger quantity price breaks available



E-Q-160146 - White Plastic Quick-Connect 1/4 Turn Coupling, Non-Valved, 5/8-11 UNC Thread to Female Socket Connector

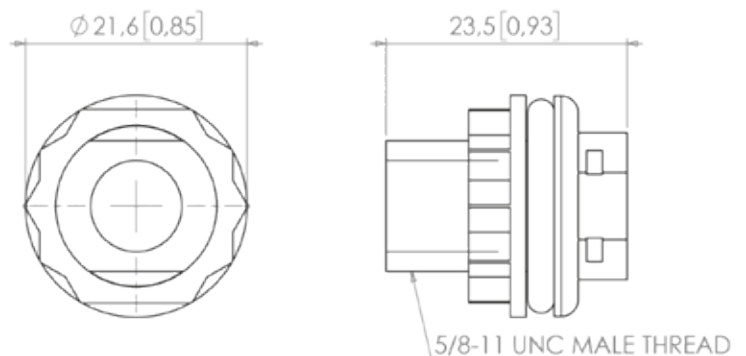


Technical Data

Max. Inlet Pressure: 8.62 bar (125 psi)
Connection 1: 5/8-11 UNC Male Thread
Connection 2: To mating Plug Connector
Mounting Style: Panel Mount
Wetted Materials: Nylon, Buna-N
Non-wetted Materials: Nylon
Media/Ambient Temperature: -46°C to 121°C (-50°F to 250°F)
Recommended Filtration: Depending on application
RoHS/REACH Compliant: Yes
Other Technical Data: White Plastic Quick-Connect 1/4 Turn Coupling, 5/8-11 UNC Thread to Female Socket Connector.

Price starting from: £3.24

*Larger quantity price breaks available



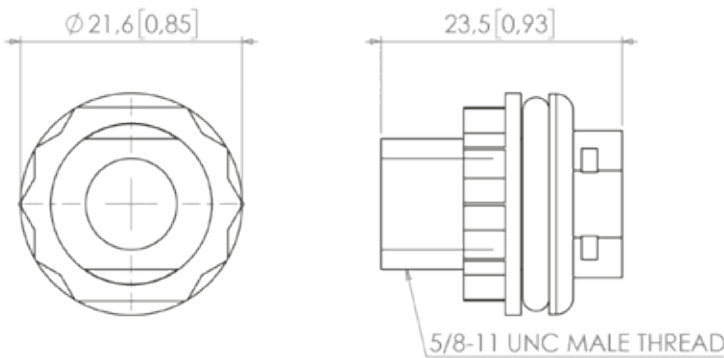
E-Q-160147 - Black Plastic Quick-Connect 1/4 Turn Coupling, Non-Valved, 5/8-11 UNC Thread to Female Socket Connector

Technical Data

Max. Inlet Pressure: 8.62 bar (125 psi)
 Connection 1: 5/8-11 UNC Male Thread
 Connection 2: To mating Plug Connector
 Mounting Style: Panel Mount
 Wetted Materials: Nylon, Buna-N
 Non-wetted Materials: Nylon
 Media/Ambient Temperature: -46°C to 121°C (-50°F to 250°F)
 Recommended Filtration: Depending on application
 RoHS/REACH Compliant: Yes
 Other Technical Data: Black Plastic Quick-Connect 1/4 Turn Coupling, 5/8-11 UNC Thread to Female Socket Connector.



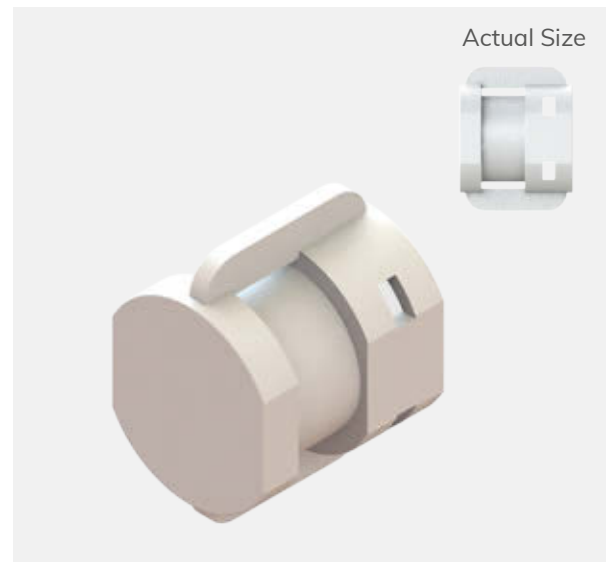
Price starting from: £3.24
 *Larger quantity price breaks available



E-Q-160154 - White Plastic Quick-Connect 1/4 Turn Coupling, Non-Valved, Female Cap Socket Connector

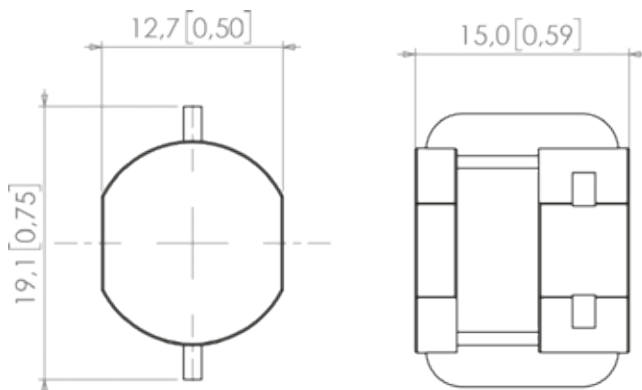
Technical Data

Max. Inlet Pressure: 8.62 bar (125 psi)
 Connection 1: Closed End
 Connection 2: To mating Plug Connector
 Mounting Style: In-Line
 Wetted Materials: Nylon
 Non-wetted Materials: Nylon
 Media/Ambient Temperature: -46°C to 121°C (-50°F to 250°F)
 Recommended Filtration: Depending on application
 RoHS/REACH Compliant: Yes
 Other Technical Data: Also available in black.



Price starting from: £1.12
 *Larger quantity price breaks available

● Also Available in Black
E-Q-160155



Twist Lock Couplings - Polypropylene

E-Q-200127 - 1/4 Turn Polypropylene Socket Coupling, Buna-N Seal, 1/8" (3.2mm) ID Tube, Valved



Technical Data

Max. Inlet Pressure: 8.62 bar (125 psi)

Flow Rate: 3.60 LPM

Connection 1: 1/8" (3.2mm) ID Tube

Connection 2: To mating Plug Connector

Mounting Style: In-Line

Wetted Materials: Polypropylene, Buna-N, Acetal, 316 Stainless Steel

Non-wetted Materials: Polypropylene

Media/Ambient Temperature: -46°C to 121°C (-50°F to 250°F)

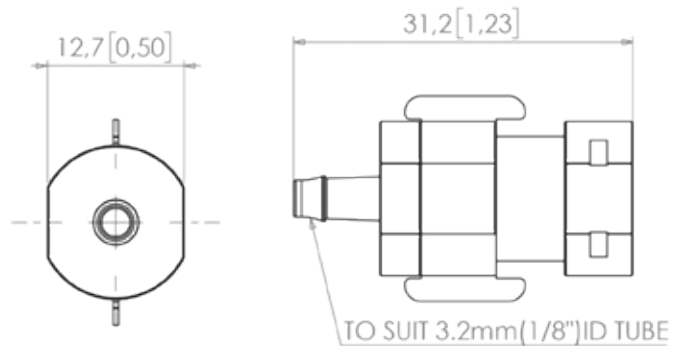
Recommended Filtration: Depending on application

RoHS/REACH Compliant: Yes

Regulatory Information: USP Class VI

Cleanroom Manufactured: Class 7 Cleanroom

Other Technical Data: USP Class VI, Class 7 Cleanroom. Used for connection to 1/4 turn mating plug connector, Valved.



Price starting from: £5.20

*Price breaks available for larger quantities

- Connects with 1/4 turn mating Plugs

More from this range



1/16" ID
In-Line
E-Q-200126



3/32" ID
In-Line
E-Q-200062



5/32" ID
In-Line
E-Q-200128



3/16" ID
In-Line
E-Q-200129



1/4" ID
In-Line
E-Q-200060



1/8" NPT
In-Line
E-Q-200143



1/4" NPT
In-Line
E-Q-200144

E-Q-200122 - 1/4 Turn Polypropylene Plug Coupling, Buna-N Seal, 1/8" (3.2mm) ID Tube, Non-Valved

Technical Data

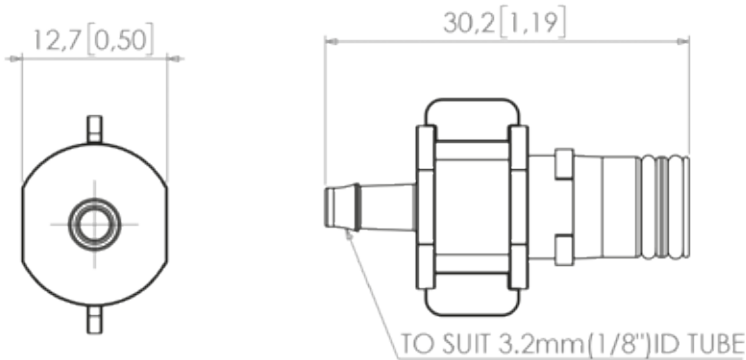
Max. Inlet Pressure: 8.62 bar (125 psi)
Flow Rate: 4.73 LPM
Connection 1: 1/8" (3.2mm) ID Tube
Connection 2: To mating Socket Connector
Mounting Style: In-Line
Wetted Materials: Polypropylene, Buna-N
Non-wetted Materials: Polypropylene
Media/Ambient Temperature: -46°C to 121°C (-50°F to 250°F)
Recommended Filtration: Depending on application
RoHS/REACH Compliant: Yes
Regulatory Information: USP Class VI
Cleanroom Manufactured: Class 7 Cleanroom
Other Technical Data: USP Class VI, Class 7 Cleanroom. Used for connection to 1/4 turn mating socket connector, Non-Valved.



Price starting from: **£1.72**

*Price breaks available for larger quantities

- Connects with 1/4 turn mating Sockets



More from this range



1/16" ID
In-Line
E-Q-190019



3/32" ID
In-Line
E-Q-200098



5/32" ID
In-Line
E-Q-200123



3/16" ID
In-Line
E-Q-200124



1/4" ID
In-Line
E-Q-200125



1/8" NPT
In-Line
E-Q-200141



1/4" NPT
In-Line
E-Q-200142

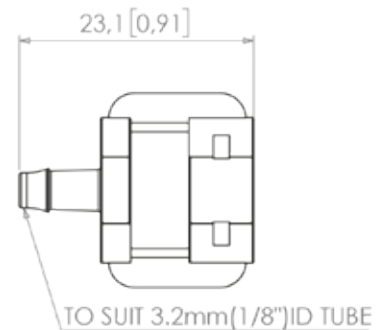
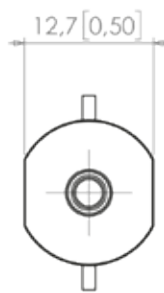
Twist Lock Couplings - Polypropylene

E-Q-200117 - 1/4 Turn Polypropylene Socket Coupling, 1/8" (3.2mm) ID Tube, Non-Valved



Technical Data

Max. Inlet Pressure: 8.62 bar (125 psi)
Flow Rate: 4.73 LPM
Connection 1: 1/8" (3.2mm) ID Tube
Connection 2: To mating Plug Connector
Mounting Style: In-Line
Wetted Materials: Polypropylene
Non-wetted Materials: Polypropylene
Media/Ambient Temperature: -46°C to 121°C (-50°F to 250°F)
Recommended Filtration: Depending on application
RoHS/REACH Compliant: Yes
Regulatory Information: USP Class VI
Cleanroom Manufactured: Class 7 Cleanroom
Other Technical Data: USP Class VI, Class 7 Cleanroom. Used for connection to 1/4 turn mating plug connector, Non-Valved.



Price starting from: **£1.02**

*Price breaks available for larger quantities

- Connects with 1/4 turn mating Plugs

More from this range



1/16" ID
In-Line
E-Q-200115



3/32" ID
In-Line
E-Q-200116



5/32" ID
In-Line
E-Q-200118



3/16" ID
In-Line
E-Q-200119



1/4" ID
In-Line
E-Q-200120



1/8" NPT
In-Line
E-Q-200139

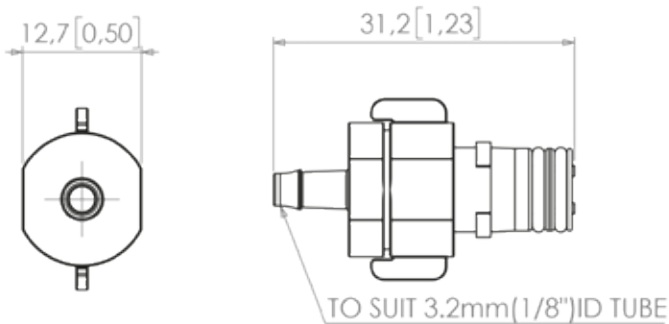


1/4" NPT
In-Line
E-Q-200140

E-Q-200131 - 1/4 Turn Polypropylene Plug Coupling, Buna-N Seal, 1/8" (3.2mm) ID Tube, Valved

Technical Data

Max. Inlet Pressure: 8.62 bar (125 psi)
Flow Rate: 3.60 LPM
Connection 1: 1/8" (3.2mm) ID Tube
Connection 2: To mating Socket Connector
Mounting Style: In-Line
Wetted Materials: Polypropylene, Buna-N, Acetal, 316 Stainless Steel
Non-wetted Materials: Polypropylene
Media/Ambient Temperature: -46°C to 121°C (-50°F to 250°F)
Recommended Filtration: Depending on application
RoHS/REACH Compliant: Yes
Regulatory Information: USP Class VI
Cleanroom Manufactured: Class 7 Cleanroom
Other Technical Data: USP Class VI, Class 7 Cleanroom. Used for connection to 1/4 turn mating socket connector, Valved.



Price starting from: £5.78

*Price breaks available for larger quantities

- Connects with 1/4 turn mating Sockets

More from this range



1/16" ID
In-Line
E-Q-200130



3/32" ID
In-Line
E-Q-200061



5/32" ID
In-Line
E-Q-200132



3/16" ID
In-Line
E-Q-200133



1/4" ID
In-Line
E-Q-200134



1/8" NPT
In-Line
E-Q-200145



1/4" NPT
In-Line
E-Q-200146

Twist Lock Couplings - Polypropylene

E-Q-200149 - 1/4 Turn Polypropylene Panel Mount Socket Coupling, Buna-N Seal, 5/8-11" UNC Male Thread, Valved



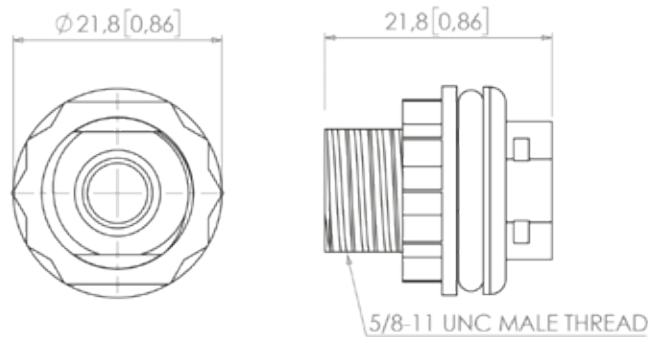
Technical Data

Max. Inlet Pressure: 8.62 bar (125 psi)
Flow Rate: 5.68 LPM
Connection 1: 5/8-11" UNC Male Thread
Connection 2: To mating Plug Connector
Mounting Style: Panel Mount
Wetted Materials: Polypropylene, Buna-N, Acetal, 316 Stainless Steel
Non-wetted Materials: Polypropylene
Media/Ambient Temperature: -46°C to 121°C (-50°F to 250°F)
Recommended Filtration: Depending on application
RoHS/REACH Compliant: Yes
Regulatory Information: USP Class VI
Cleanroom Manufactured: Class 7 Cleanroom
Other Technical Data: USP Class VI, Class 7 Cleanroom. Used for connection to 1/4 turn mating plug connector, Valved.

Price starting from: £5.95

*Price breaks available for larger quantities

- Connects with 1/4 turn mating Plugs



E-Q-200150 - 1/4 Turn Polypropylene Panel Mount Socket Coupling (Long Body), Buna-N Seal, 5/8-11" UNC Male Thread, Valved



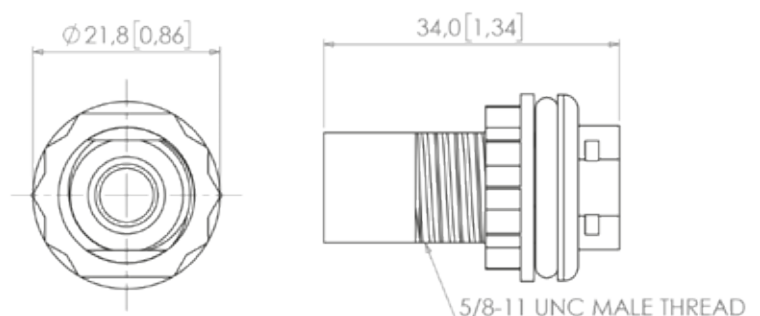
Technical Data

Max. Inlet Pressure: 8.62 bar (125 psi)
Flow Rate: 5.68 LPM
Connection 1: 5/8-11" UNC Male Thread
Connection 2: To mating Plug Connector
Mounting Style: Panel Mount
Wetted Materials: Polypropylene, Buna-N, Acetal, 316 Stainless Steel
Non-wetted Materials: Polypropylene
Media/Ambient Temperature: -46°C to 121°C (-50°F to 250°F)
Recommended Filtration: Depending on application
RoHS/REACH Compliant: Yes
Regulatory Information: USP Class VI
Cleanroom Manufactured: Class 7 Cleanroom
Other Technical Data: USP Class VI, Class 7 Cleanroom. Used for connection to 1/4 turn mating plug connector, Valved.

Price starting from: £6.43

*Price breaks available for larger quantities

- Connects with 1/4 turn mating Plugs



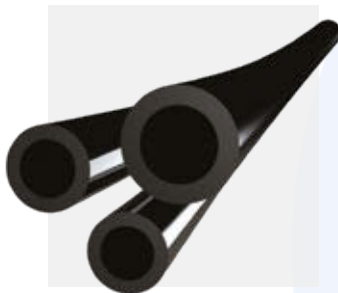
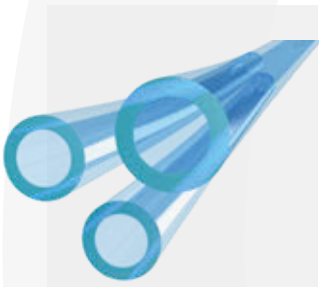
We have the perfect Tubing for your application

Material Options:

- Kynar®
- LLDPE
- Nylon
- Polyethylene
- Polyurethane
- PVC
- Silicone
- TPE

Key Features:

- Different shore hardness
- Offered in Imperial and Metric
- Suitable in some cases for Biomedical & Bioprocess applications
- Optional application functionality includes Antimicrobial and Un-reinforced PVC



Custom Solutions

Our technical teams may advise on the different tube resistances we have within our range and their resistance measurement to indentation or bending



Twist Lock Couplings - Polypropylene - Q1 Series

E-Q-160373 - Polypropylene Socket Coupling, 1/16" (1.6mm) ID Tube, Non-Valved, 1/16" Flow



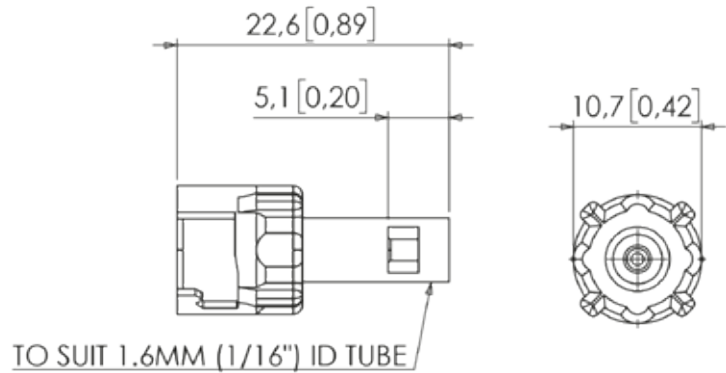
Technical Data

Max. Inlet Pressure: 6.9 bar (100 psi)
Connection 1: 1/16" (1.6mm) ID Tube
Connection 2: To mating Q1 Plug Connector
Mounting Style: In-Line
Wetted Materials: P5M6K-080 Medical Grade Polypropylene
Non-wetted Materials: Acetal
Media/Ambient Temperature: 0°C to 71°C (32°F to 160°F)
Recommended Filtration: Depending on application
RoHS/REACH Compliant: Yes
Other Technical Data: This product is the ideal replacement for Luer fittings and are our smallest connectors to date, these new couplings have a new and improved "Easy Grip Barrel" which helps provide a more secure grip and reliable connection. This product will interconnect with other industry standard twist lock couplings.

Price starting from: **£1.07**

*Price breaks available for larger quantities

Connects with Q1 Series Plugs



More from this range



3mm ID
In-Line
E-Q-160374



1/8" ID
In-Line
E-Q-160375



3mm ID
In-Line - No Sleeve
E-Q-160380



1/8" ID
In-Line - No Sleeve
E-Q-160381



1/16" ID
Panel Mount
E-Q-160376



3mm ID
Panel Mount
E-Q-160377



1/8" ID
Panel Mount
E-Q-160378

E-Q-160382 - Polypropylene Plug Coupling, EPDM Seal, 1/16" (1.6mm) ID Tube, Non-Valved, 1/16" Flow

Technical Data

Max. Inlet Pressure: 6.9 bar (100 psi)

Connection 1: 1/16" (1.6mm) ID Tube

Connection 2: To mating Q1 Socket Connector

Mounting Style: In-Line

Wetted Materials: Medical Grade Polypropylene, Peroxide Cured EPDM

Non-wetted Materials: Acetal

Media/Ambient Temperature: 0°C to 71°C (32°F to 160°F)

Recommended Filtration: Depending on application

RoHS/REACH Compliant: Yes

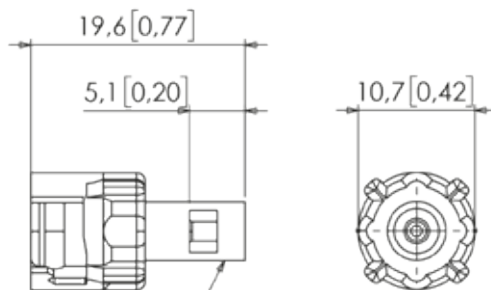
Other Technical Data: This product is the ideal replacement for Luer fittings and are our smallest connectors to date, these new couplings have a new and improved "Easy Grip Barrel" which helps provide a more secure grip and reliable connection. This product will interconnect with other industry standard twist lock couplings.



Price starting from: £1.49

*Price breaks available for larger quantities

● Connects with Q1 Series Sockets



TO SUIT 1.6MM (1/16") ID TUBE

More from this range



3mm ID
In-Line
E-Q-160383



1/8" ID
In-Line
E-Q-160384



1/16" ID
In-Line - No Sleeve
E-Q-160388



3mm ID
In-Line - No Sleeve
E-Q-160389



1/8" ID
In-Line - No Sleeve
E-Q-160390



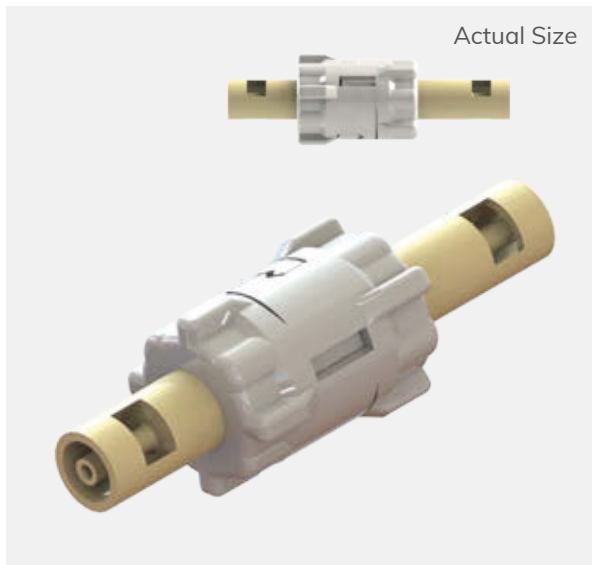
1/16" ID
Panel Mount
E-Q-160385



1/8" ID
Panel Mount
E-Q-160387

Twist Lock Couplings - Polypropylene - Q1 Series

E-Q-160391 - Polypropylene Couplings Set, EPDM Seal, 1/16" (1.6mm) ID Tube, Non-Valved, 1/16" Flow



Price starting from: £2.93

*Price breaks available for larger quantities

Technical Data

Max. Inlet Pressure: 6.9 bar (100 psi)

Connections: 1/16" (1.6mm) ID Tube

Mounting Style: In-Line

Wetted Materials: Medical Grade Polypropylene, Peroxide Cured EPDM

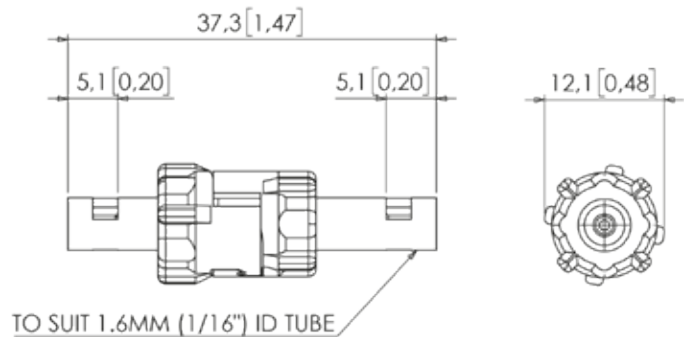
Non-wetted Materials: Acetal

Media/Ambient Temperature: 0°C to 71°C (32°F to 160°F)

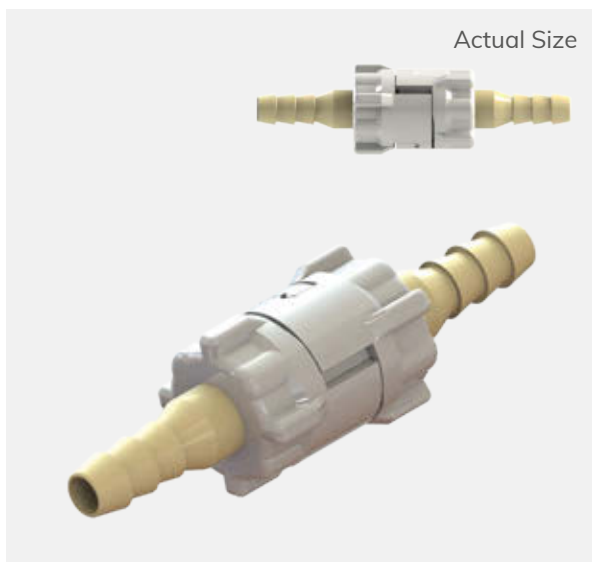
Recommended Filtration: Depending on application

RoHS/REACH Compliant: Yes

Other Technical Data: This product is the ideal replacement for Luer fittings and are our smallest connectors to date, these new couplings have a new and improved "Easy Grip Barrel" which helps provide a more secure grip and reliable connection. This product will interconnect with other industry standard twist lock couplings.



E-Q-160393 - Polypropylene Couplings Set, EPDM Seal, 1/8" (3.2mm) ID Tube, Non-Valved, 1/16" Flow



Price starting from: £2.93

*Price breaks available for larger quantities

Technical Data

Max. Inlet Pressure: 6.9 bar (100 psi)

Connections: 1/8" (3.2mm) ID Tube

Mounting Style: In-Line

Wetted Materials: Medical Grade Polypropylene, Peroxide Cured EPDM

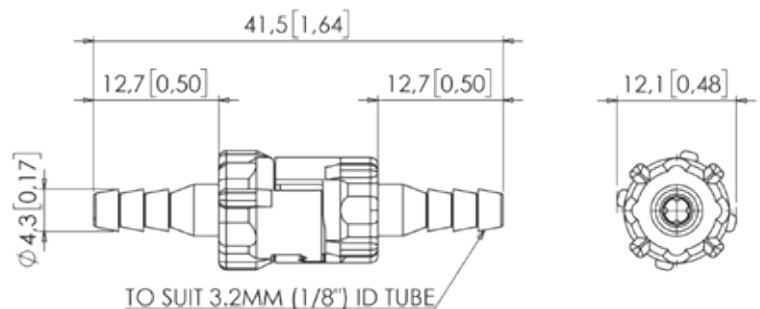
Non-wetted Materials: Acetal

Media/Ambient Temperature: 0°C to 71°C (32°F to 160°F)

Recommended Filtration: Depending on application

RoHS/REACH Compliant: Yes

Other Technical Data: This product is the ideal replacement for Luer fittings and are our smallest connectors to date, these new couplings have a new and improved "Easy Grip Barrel" which helps provide a more secure grip and reliable connection. This product will interconnect with other industry standard twist lock couplings.



E-Q-160307 - Acetal Socket Coupling, 1/16" (1.6mm) ID Tube, Non-Valved, 1/16" Flow

Technical Data

Max. Inlet Pressure: 6.9 bar (100 psi)

Connection 1: 1/16" (1.6mm) ID Tube

Connection 2: To mating Q1 Plug Connector

Mounting Style: In-Line

Wetted Materials: Acetal

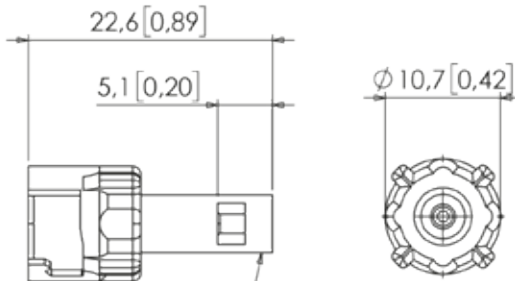
Non-wetted Materials: Acetal

Media/Ambient Temperature: -40°C to 82°C (-40°F to 180°F)

Recommended Filtration: Depending on application

RoHS/REACH Compliant: Yes

Other Technical Data: This product is the ideal replacement for Luer fittings and are our smallest connectors to date, these new couplings have a new and improved "Easy Grip Barrel" which helps provide a more secure grip and reliable connection. This product will interconnect with other industry standard twist lock couplings.



TO SUIT 1.6MM (1/16") ID TUBE



Price starting from: £0.99

*Price breaks available for larger quantities

● Connects with Q1 Series Plugs

More from this range



3mm ID
In-Line
E-Q-160308



3mm ID
In-Line
E-Q-160341



1/8" ID
In-Line
E-Q-160309



1/8" ID
In-Line - No Sleeve
E-Q-160315



1/8" ID
In-Line - No Sleeve
E-Q-160348



1/16" ID
Panel Mount
E-Q-160310



1/8" ID
Panel Mount
E-Q-160312

Twist Lock Couplings - Acetal - Q1 Series

E-Q-160316 - Acetal Socket Coupling, Buna-N Seal, 1/16" (1.6mm) ID Tube, Valved, 1/16" Flow



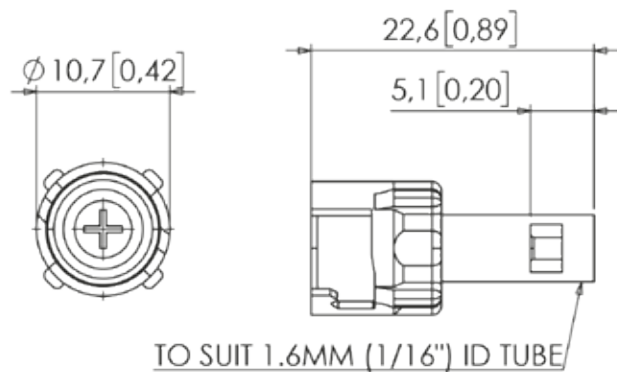
Technical Data

Max. Inlet Pressure: 6.9 bar (100 psi)
Connection 1: 1/16" (1.6mm) ID Tube
Connection 2: To mating Q1 Plug Connector
Mounting Style: In-Line
Wetted Materials: Acetal, 316 Stainless Steel, Buna-N
Non-wetted Materials: Acetal
Media/Ambient Temperature: -40°C to 82°C (-40°F to 180°F)
Recommended Filtration: Depending on application
RoHS/REACH Compliant: Yes
Other Technical Data: This product is the ideal replacement for Luer fittings and are our smallest connectors to date, these new couplings have a new and improved "Easy Grip Barrel" which helps provide a more secure grip and reliable connection. This product will interconnect with other industry standard twist lock couplings.

Price starting from: £5.46

*Price breaks available for larger quantities

Connects with Q1 Series Plugs



More from this range



3mm ID
In-Line
E-Q-160317



3mm ID
In-Line
E-Q-160350



1/8" ID
In-Line
E-Q-160318



1/8" ID
In-Line - No Sleeve
E-Q-160324



1/16" ID
Panel Mount
E-Q-160319



1/8" ID
Panel Mount
E-Q-160321

E-Q-160325 - Acetal Plug Coupling, Buna-N Seal, 1/16" (1.6mm) ID Tube, Non-Valved, 1/16" Flow

Technical Data

Max. Inlet Pressure: 6.9 bar (100 psi)

Connection 1: 1/16" (1.6mm) ID Tube

Connection 2: To mating Q1 Socket Connector

Mounting Style: In-Line

Wetted Materials: Acetal, Buna-N

Non-wetted Materials: Acetal

Media/Ambient Temperature: -40°C to 82°C (-40°F to 180°F)

Recommended Filtration: Depending on application

RoHS/REACH Compliant: Yes

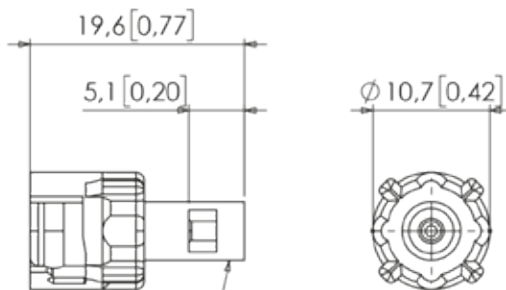
Other Technical Data: This product is the ideal replacement for Luer fittings and are our smallest connectors to date, these new couplings have a new and improved "Easy Grip Barrel" which helps provide a more secure grip and reliable connection. This product will interconnect with other industry standard twist lock couplings.



Price starting from: £1.48

*Price breaks available for larger quantities

● Connects with Q1 Series Sockets



TO SUIT 1.6MM (1/16") ID TUBE

More from this range



3mm ID
In-Line
E-Q-160326



1/8" ID
In-Line
E-Q-160327



1/16" ID
In-Line - No Sleeve
E-Q-160331



1/8" ID
In-Line - No Sleeve
E-Q-160333 - White
E-Q-160366 - Black



1/16" ID
Panel Mount
E-Q-160328



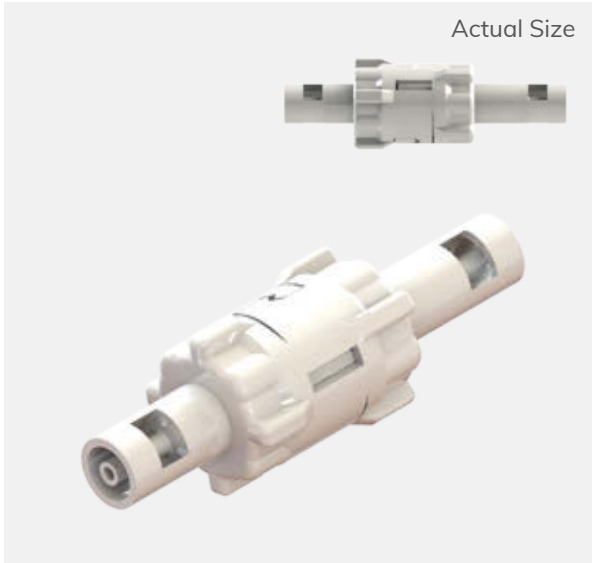
3mm ID
Panel Mount
E-Q-160329 - White
E-Q-160362 - Black



1/8" ID
Panel Mount
E-Q-160330

Twist Lock Couplings - Acetal - Q1 Series

E-Q-160334 - Acetal Couplings Set, Buna-N Seal, 1/16" (1.6mm) ID Tube, Non-Valved, 1/16" Flow



Technical Data

Max. Inlet Pressure: 6.9 bar (100 psi)

Connections: 1/16" (1.6mm) ID Tube

Mounting Style: In-Line

Wetted Materials: Acetal, Buna-N

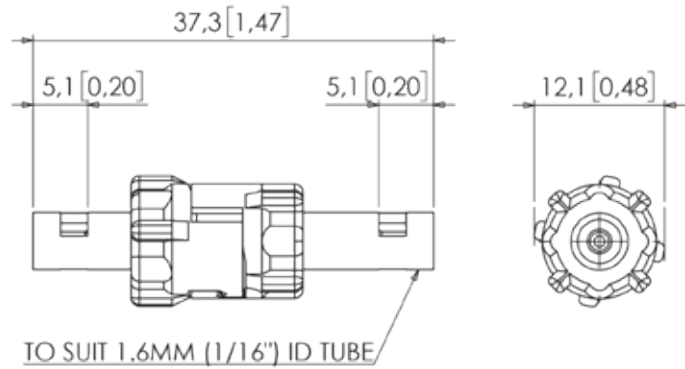
Non-wetted Materials: Acetal

Media/Ambient Temperature: -40°C to 82°C (-40°F to 180°F)

Recommended Filtration: Depending on application

RoHS/REACH Compliant: Yes

Other Technical Data: This product is the ideal replacement for Luer fittings and are our smallest connectors to date, these new couplings have a new and improved "Easy Grip Barrel" which helps provide a more secure grip and reliable connection. This product will interconnect with other industry standard twist lock couplings.



Price starting from: £2.20

*Price breaks available for larger quantities

More from this range



3mm ID
In-Line
E-Q-160368



1/8" ID
In-Line
E-Q-160336

E-Q-160337 - Acetal Couplings Set, Buna-N Seal, 1/16" (1.6mm) ID Tube, Valved, 1/16" Flow

Technical Data

Max. Inlet Pressure: 6.9 bar (100 psi)

Connections: 1/16" (1.6mm) ID Tube

Mounting Style: In-Line

Wetted Materials: Acetal, 316 Stainless Steel, Buna-N

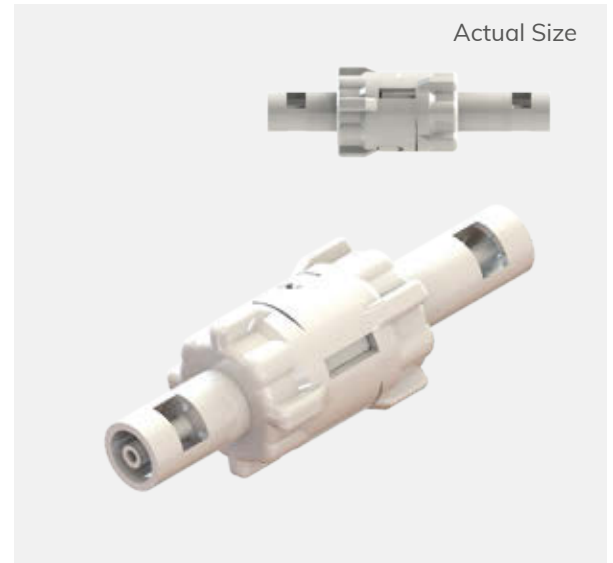
Non-wetted Materials: Acetal

Media/Ambient Temperature: -40°C to 82°C (-40°F to 180°F)

Recommended Filtration: Depending on application

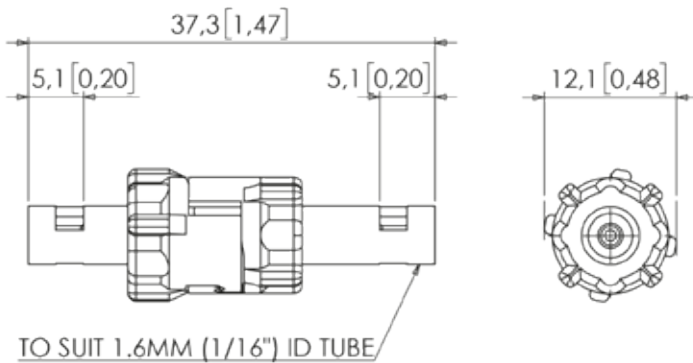
RoHS/REACH Compliant: Yes

Other Technical Data: This product is the ideal replacement for Luer fittings and are our smallest connectors to date, these new couplings have a new and improved "Easy Grip Barrel" which helps provide a more secure grip and reliable connection. This product will interconnect with other industry standard twist lock couplings.



Price starting from: £6.69

*Price breaks available for larger quantities



More from this range



3mm ID
In-Line
E-Q-160338



1/8" ID
In-Line
E-Q-160339

Twist Lock Couplings - Media Bags

E-Q-160171 - 500ml Media Bag with Shut Off Plug Pouch Fitment, Acetal/Polypropylene



Technical Data

Max. Inlet Pressure: 6.9 bar (10 psi)

Connections: To mating Socket Connector

Mounting Style: In-Line

Wetted Materials: Polypropylene, Acetal, Buna-N, Stainless Steel 316

Non-wetted Materials: Polyester, Nylon

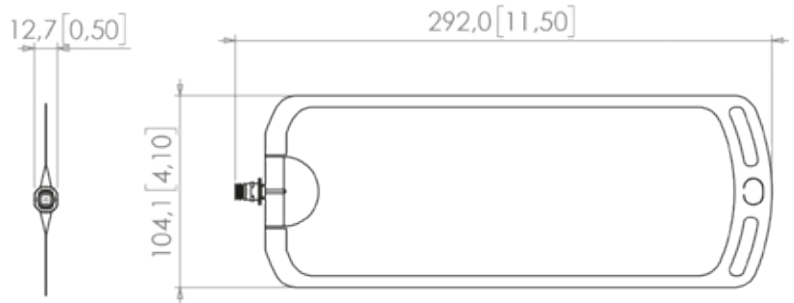
Recommended Filtration: Depending on application

RoHS/REACH Compliant: Yes

Other Technical Data: 500ml Media Bag with Shut Off Plug Pouch Fitment.

Price starting from: £11.68

*Price breaks available for larger quantities



More from this range



250ml Shut Off Plug
E-Q-160173



1.5L Shut Off Plug
E-Q-160174



3L Shut Off Plug
E-Q-160177



250ml Shut Off Socket
E-Q-160172



500ml Shut Off Socket
E-Q-160178



1.5L Shut Off Socket
E-Q-160175



3L Shut Off Socket
E-Q-160176

E-Q-160159 - Shut-Off Socket Pouch Fitment, Acetal/Polypropylene

Technical Data

Max. Inlet Pressure: 3.45 bar (50 psi)

Connection 1: To mating Plug Connector

Connection 2: To mating Media Bag

Mounting Style: In-Line

Wetted Materials: Polypropylene, Acetal, Buna-N, 316 Stainless Steel

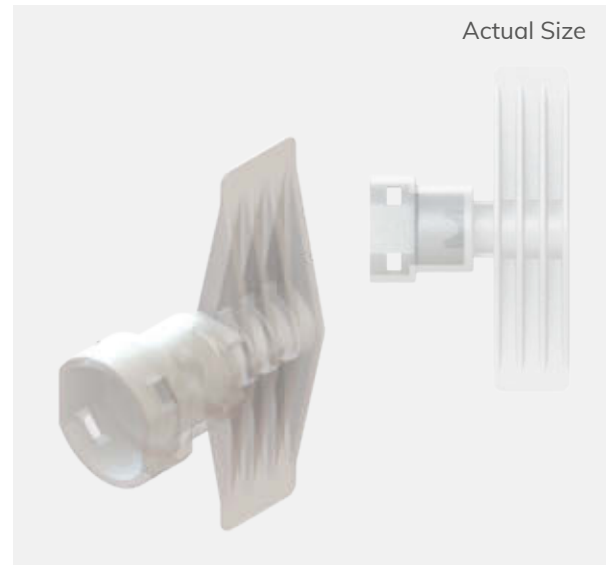
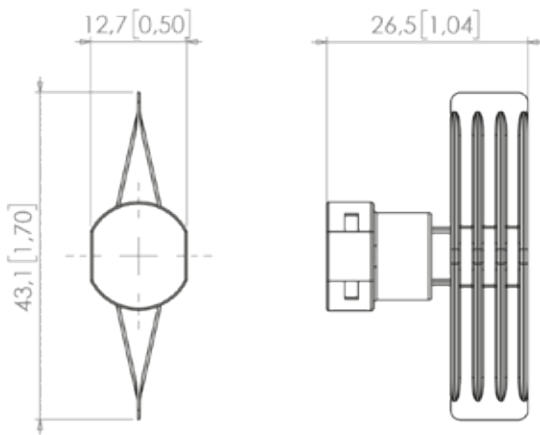
Non-wetted Materials: Polypropylene

Media Temperature: 27°C (80°F)

Recommended Filtration: Depending on application

RoHS/REACH Compliant: Yes

Other Technical Data: Shut-Off Socket Pouch Fitment, Acetal/Polypropylene.



Price starting from: £22.22

*Price breaks available for larger quantities

More from this range



Acetal/Polyethylene
Socket
E-Q-160160



Acetal/Polyethylene
Plug
E-Q-160166



Acetal/Polypropylene
Plug
E-Q-160165



Bottle Cap Adapter
Plug Shut Off
E-Q-160170

Sliding Latch



Key features include:

- Audible click to ensure secure connection
- Single handed disconnection
- Safety slide release minimises accidental disconnections
- No leaking on Valved option couplings when disconnecting
- Spring free flow path
- Resistant to most chemicals and suitable for industrial and medical applications
- Valved/Non-Valved options available
- USP Class VI/ISO10993 compliant materials
- PP (Radiation, EtO)
- PVDF (Autoclave, Radiation, EtO)
- Cleanroom option on request

What is a Sliding Latch?

These sliding latch couplings can be connected with one hand by way of a sliding latch. An audible 'click' confirms correct connection. The 'spring-free' flow path allows for larger volumes to pass through at lower pressures, reducing restrictions and turbulence. The innovative design means on valved option couplings you have no leaking when disconnecting.

Operating Pressure:

90 psi (6.2 bar)

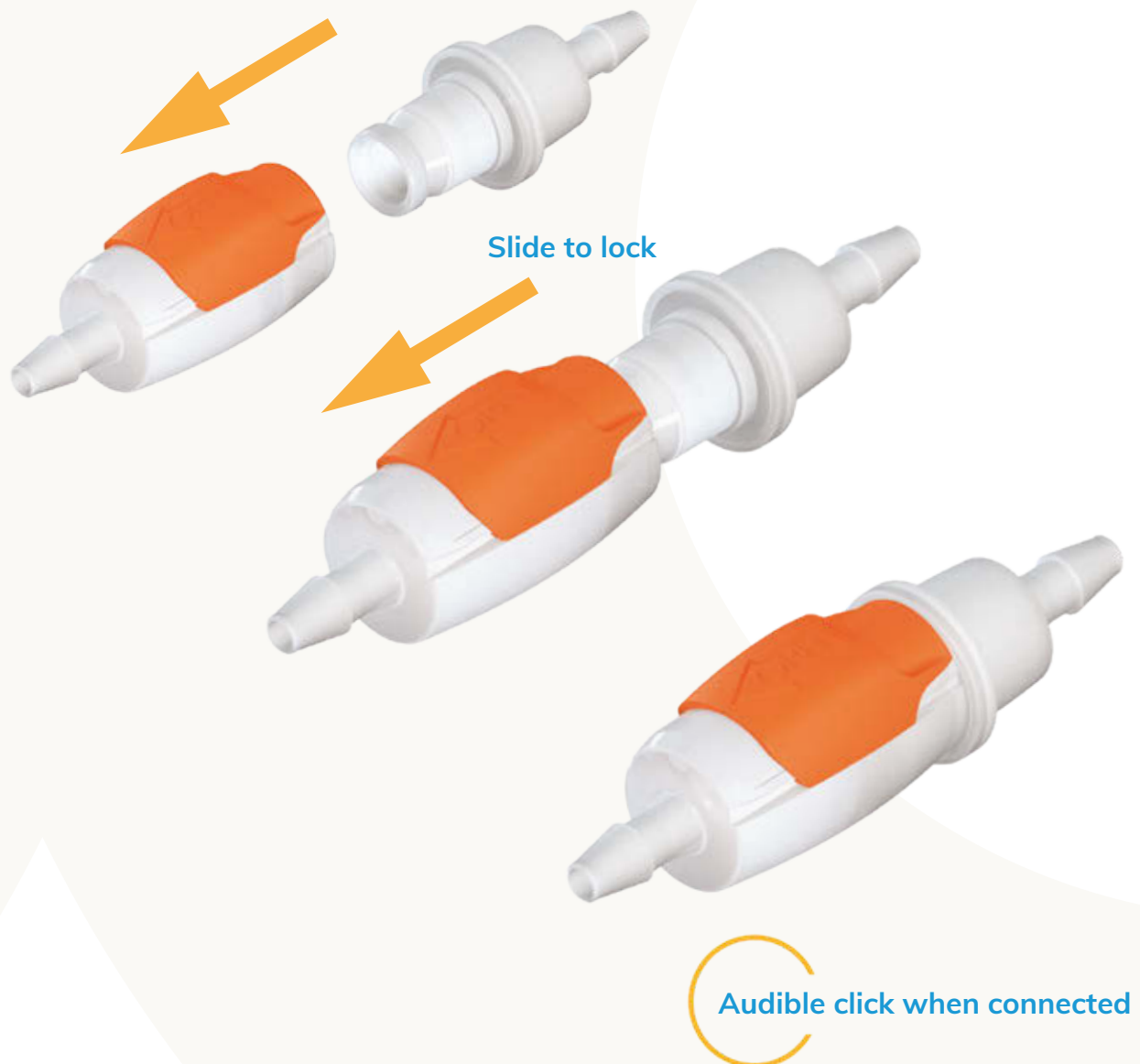
Material Options:

Body: Polypropylene, Nylon (Other material options available on request)

O-ring: Buna-N (other O-ring material options available)

Spring: 316 SS (not in the flow path) - Non magnetic spring options available

These couplings are Aseptic - free from contamination caused by harmful bacteria, viruses, or other microorganisms; surgically sterile or sterilised.



Sliding Latch Couplings - Polypropylene Miniature

E-Q-200079 - Polypropylene Miniature Socket Coupling, Buna-N Seal, 1/8" (3.2mm) ID Tube, Non-Valved



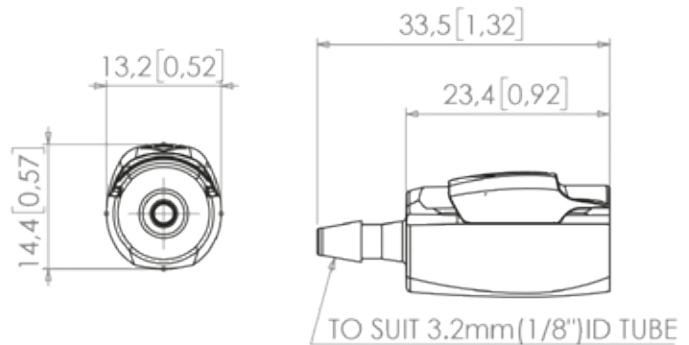
Technical Data

Max. Inlet Pressure: 6.2 bar (90 psi)
Connection 1: 1/8" (3.2mm) ID Tube
Connection 2: To mating Plug Connector
Mounting Style: In-Line
Wetted Materials: Polypropylene, Buna-N
Non-wetted Materials: Polypropylene, Polycarbonate, 302 Stainless Steel
Media/Ambient Temperature: 0°C to 71°C (32°F to 160°F)
Recommended Filtration: Depending on application
RoHS/REACH Compliant: Yes
Regulatory Information: USP Class VI, Meet requirements in FDA 21 CFR 177.1520(a)(3)(i) and (c)3.1a
Other Technical Data: Animal Derivative Free. Compatible with Gamma or E-Beam sterilisation. Cost efficient plastic audible click sliding collar connection to mating plug connector, Non-Valved. Cleanroom manufacture available. Alternative materials available.

Price starting from: £7.74

*Price breaks available for larger quantities

- Other Materials Available
Contact us for more information



More from this range



1/16" ID
In-Line - Non-Valved
E-Q-200078



1/4" ID
In-Line - Non-Valved
E-Q-200080



1/16" ID
In-Line - Valved
E-Q-200081



1/8" ID
In-Line - Valved
E-Q-200082

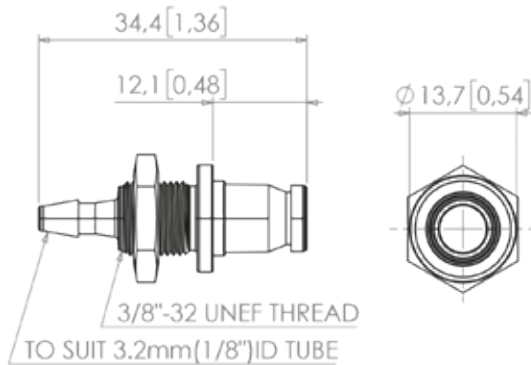


1/4" ID
In-Line - Valved
E-Q-200083

E-Q-200091 - Polypropylene Miniature Panel Mount Plug Coupling, 1/8" (3.2mm) ID Tube, Non-Valved

Technical Data

Max. Inlet Pressure: 6.2 bar (90 psi)
Connection 1: 1/8" (3.2mm) ID Tube
Connection 2: To mating Socket Connector
Mounting Style: Panel Mount
Wetted Materials: Polypropylene
Non-wetted Materials: Polypropylene, Polycarbonate
Media/Ambient Temperature: 0°C to 71°C (32°F to 160°F)
Recommended Filtration: Depending on application
RoHS/REACH Compliant: Yes
Regulatory Information: USP Class VI, Meet requirements in FDA 21 CFR 177.1520(a)(3)(i) and (c)3.1a
Other Technical Data: Animal Derivative Free. Compatible with Gamma or E-Beam sterilisation. Used for connection to audible click sliding collar mating socket connector, Non-Valved. Cleanroom manufacture available. Alternative material available.



Price starting from: £8.31

*Price breaks available for larger quantities

• **Other Materials Available**
Contact us for more information

More from this range



1/16" ID Panel Mount
Non-Valved
E-Q-200090



1/4" ID Panel Mount
Non-Valved
E-Q-200092



1/16" ID Panel Mount
Valved
E-Q-200093



1/8" ID Panel Mount
Valved
E-Q-200094



1/4" ID Panel Mount
Valved
E-Q-200095

Sliding Latch Couplings - Polypropylene Miniature

E-Q-200085 - Polypropylene Miniature Plug Coupling, 1/8" (3.2mm) ID Tube, Non-Valved



Technical Data

Max. Inlet Pressure: 6.2 bar (90 psi)

Connection 1: 1/8" (3.2mm) ID Tube

Connection 2: To mating Socket Connector

Mounting Style: In-Line

Wetted Materials: Polypropylene

Non-wetted Materials: Polypropylene

Media/Ambient Temperature: 0°C to 71°C (32°F to 160°F)

Recommended Filtration: Depending on application

RoHS/REACH Compliant: Yes

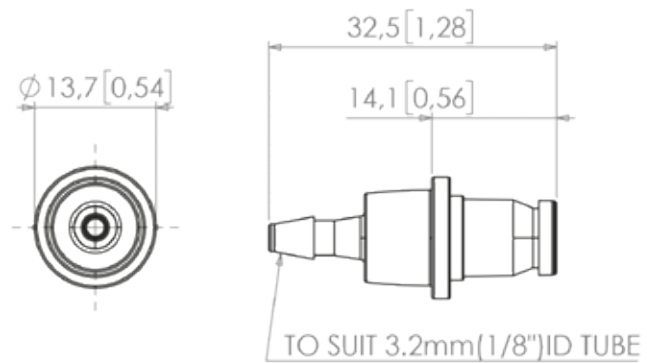
Regulatory Information: USP Class VI, Meet requirements in FDA 21 CFR 177.1520(a)(3)(i) and (c)3.1a

Other Technical Data: Animal Derivative Free. Compatible with Gamma or E-Beam sterilisation. Used for connection to audible click sliding collar mating socket connector, Non-Valved. Cleanroom manufacture available. Alternative materials available.

Price starting from: £7.12

*Price breaks available for larger quantities

- Other Materials Available
Contact us for more information



More from this range



1/16" ID In-Line
Non-Valved
E-Q-200084



1/4" ID In-Line
Non-Valved
E-Q-200086



1/16" ID In-Line
Valved
E-Q-200087



1/8" ID In-Line
Valved
E-Q-200088



1/4" ID In-Line
Valved
E-Q-200089

E-Q-200066 - Glass Filled Black Nylon Socket Coupling, Buna-N Seal, 1/8" (3.2mm) ID Tube, Non-Valved

Technical Data

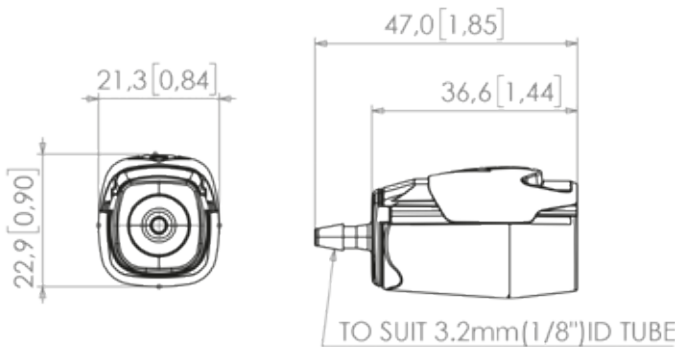
Max. Inlet Pressure: 6.2 bar (90 psi)
Connection 1: 1/8" (3.2mm) ID Tube
Connection 2: To mating Plug Connector
Mounting Style: In-Line
Wetted Materials: Glass Filled Nylon, Buna-N
Non-wetted Materials: Glass Filled Nylon, Polycarbonate, 302 Stainless Steel
Media/Ambient Temperature: 0°C to 232°C (32°F to 450°F)
Recommended Filtration: Depending on application
RoHS/REACH Compliant: Yes
Other Technical Data: Animal Derivative Free. Compatible with Gamma or E-Beam sterilisation. Cost efficient plastic audible click sliding collar connection to mating plug connector, Non-Valved. Alternative materials available.



Price starting from: £13.52

*Price breaks available for larger quantities

- Other materials available
 Contact us for more information



More from this range



1/4" ID
 In-Line - Non-Valved
E-Q-200067



1/8" ID
 In-Line - Valved
E-Q-200068



1/4" ID
 In-Line - Valved
E-Q-200069

Sliding Latch Couplings - Nylon

E-Q-200070 - Glass Filled Black Nylon Plug Coupling, 1/8" (3.2mm) ID Tube, Non-Valved

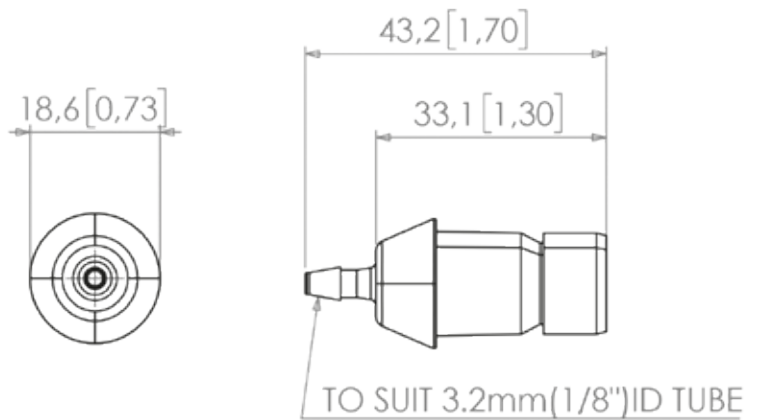


Technical Data

Max. Inlet Pressure: 6.2 bar (90 psi)
Connection 1: 1/8" (3.2mm) ID Tube
Connection 2: To mating Socket Connector
Mounting Style: In-Line
Wetted Materials: Glass Filled Nylon
Non-wetted Materials: Glass Filled Nylon
Media/Ambient Temperature: 0°C to 232°C (32°F to 450°F)
Recommended Filtration: Depending on application
RoHS/REACH Compliant: Yes
Other Technical Data: Animal Derivative Free. Compatible with Gamma or E-Beam sterilisation. Used for connection to audible click sliding collar mating socket connector, Non-Valved.

Price starting from: £5.63

*Price breaks available for larger quantities



More from this range



1/4" ID
In-Line - Non-Valved
E-Q-200071



1/8" ID
In-Line - Valved
E-Q-200072



1/4" ID
In-Line - Valved
E-Q-200073

Orange not your colour?

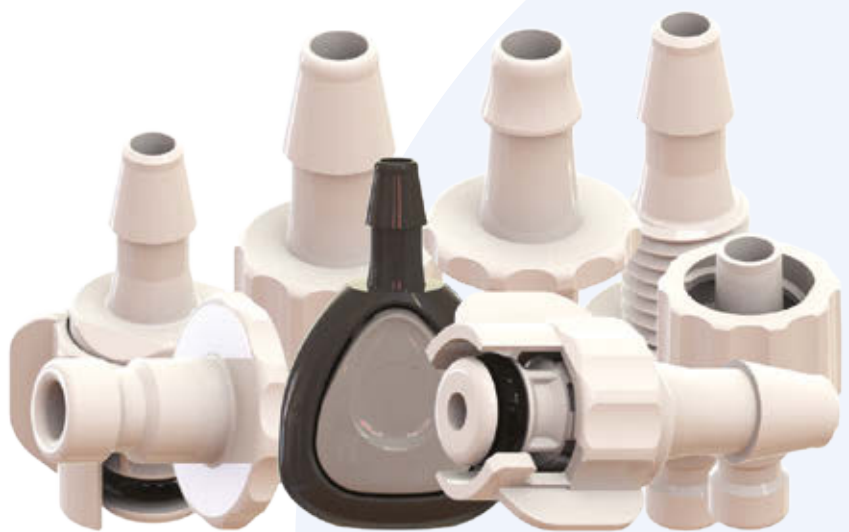
We can offer these couplings in red, blue or white



- The vibrant orange button comes as standard but we offer this in red, blue or white - MOQ applies
- Contact us for more details or a sample sales@eoxshop.com



Blood Pressure



Key features include:

- ISO 80369-5
- Male connectors work well with both compliant and non-compliant bayonet-style female connectors on the market
- Significantly reduces the probability of misconnection
- Reliable elastomeric seals inside the body allows for connector rotation reducing tubing kinks
- Prevents accidental disconnect or kinked tubing
- Audible click when connected
- Single handed operation
- FDA approved
- Compatible with sterilisation process

What is a Blood Pressure Coupling?

The male half of this coupling complies with the blood pressure industry standard ISO 80369-5, meaning it will interconnect with all other couplings designed to this standard. The tight dimensional specifications to meet ISO 80369 mean that misconnection with any other series of coupling is greatly reduced.

The ergonomic and lightweight design of the female coupling, and simple button operation, allow for single handed connection and disconnection. This ease of use and reduction in weight is meaning many end users are swapping out existing metal couplings for this design.

Operating Pressure:

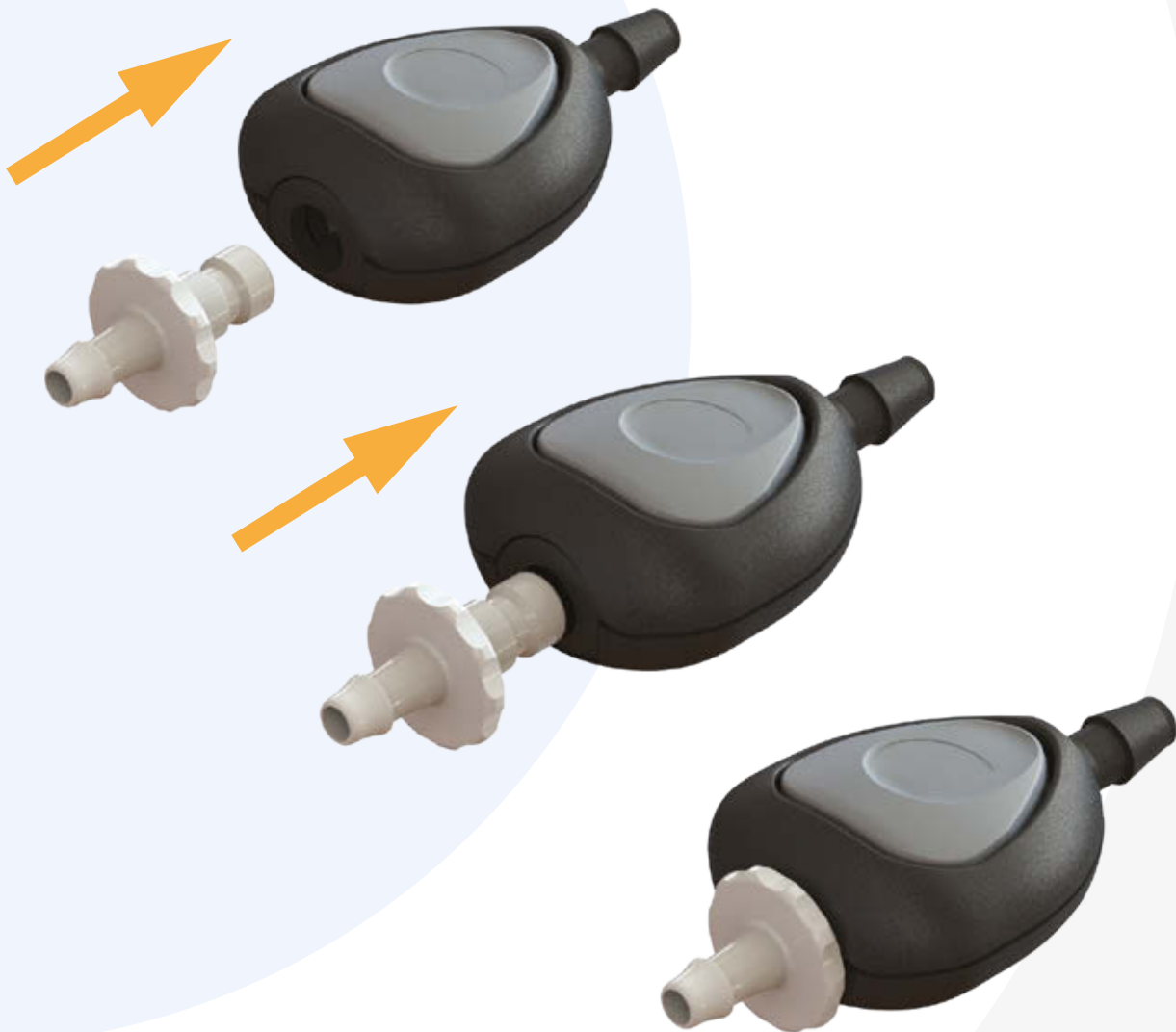
8.62 bar (125 psi)

Material Options:

Body: Dupont Zytel Nylon, Medical Grade ABS, ABS housing

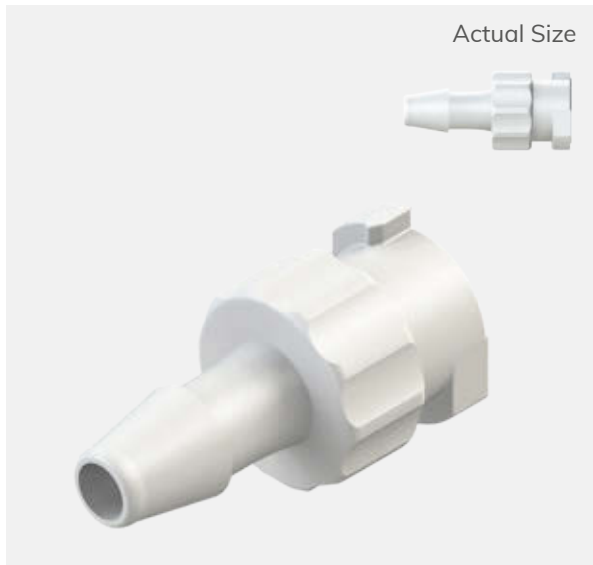
Wing-Grip: Acetal

O-ring: Buna-N



Blood Pressure - ABS

E-Q-160304 - 1/4 Turn White ABS Blood Pressure Socket Coupling (Wing Shroud), Buna-N Seal, Non-Valved, 5/32" (4.0mm) ID Tube

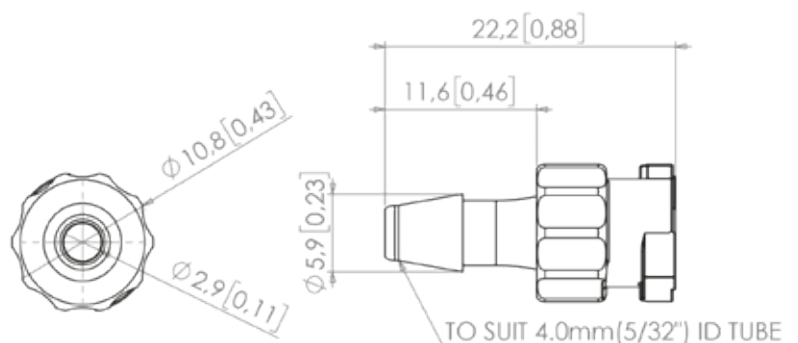


Technical Data

Max. Inlet Pressure: 8.62 bar (125 psi)
Connection 1: 5/32" (4.0mm) ID Tube
Connection 2: To mating Plug Connector
Mounting Style: In-Line
Wetted Materials: ABS
Non-wetted Materials: ABS
Recommended Filtration: Depending on application
RoHS/REACH Compliant: Yes
Regulatory Information: USP Class VI; ISO 10993 Part 1 Compliant
Cleanroom Manufactured: Class 8 (100,000) Cleanroom
Other Technical Data: 1/4 turn Socket blood pressure cuff connector to 5/32" (4.0mm) ID Hose Barb Fitting, White ABS. BPA Free. DEHP Free.

Price starting from: £0.23

*Price breaks available for larger quantities



Need a Luer?

Eox offers a wide range of Plastic and Metal Luers - commonly used in the Medical and Pharmaceutical markets where a valved connector is not required. The Luer taper is a standardised system of small scale fluid fittings used for making leak-free connections between a male taper fitting and the mating female connection which are typically used on medical and laboratory instruments - including hypodermic syringe tips, needles or stopcocks - for more information contact us sales@eoxshop.com

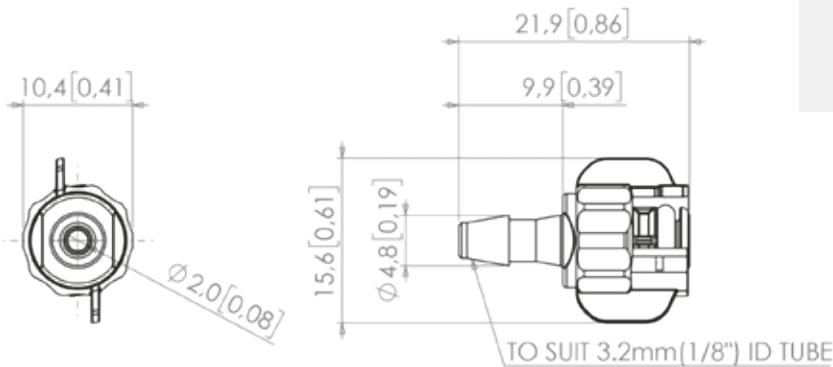


ISO 80369-7 Luers are available

E-Q-160305 - 1/4 Turn White ABS Blood Pressure Plug Coupling (Wing Shroud), Buna-N Seal, Non-Valved, 1/8" (3.2mm) ID Tube

Technical Data

Max. Inlet Pressure: 8.62 bar (125 psi)
Connection 1: 1/8" (3.2mm) ID Tube
Connection 2: To mating Socket Connector
Mounting Style: In-Line
Wetted Materials: ABS, Buna-N
Non-wetted Materials: ABS
Recommended Filtration: Depending on application
RoHS/REACH Compliant: Yes
Regulatory Information: USP Class VI Certified; ISO 10993 Compliant
Cleanroom Manufactured: Class 8 (100,000) Cleanroom
Other Technical Data: 1/4 turn Plug blood pressure cuff connector (wing shroud) to 1/8" (3.2mm) ID Hose Barb Fitting, White ABS. BPA Free. DEHP Free.



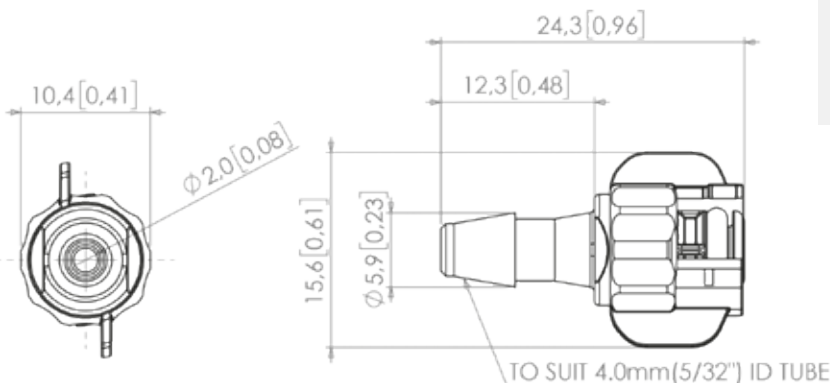
Price starting from: £2.61

*Price breaks available for larger quantities

E-Q-160306 - 1/4 Turn White ABS Blood Pressure Plug Coupling (Wing Shroud), Buna-N Seal, Non-Valved, 5/32" (4.0mm) ID Tube

Technical Data

Max. Inlet Pressure: 8.62 bar (125 psi)
Connection 1: 5/32" (4.0mm) ID Tube
Connection 2: To mating Socket Connector
Mounting Style: In-Line
Wetted Materials: ABS, Buna-N
Non-wetted Materials: ABS
Recommended Filtration: Depending on application
RoHS/REACH Compliant: Yes
Regulatory Information: USP Class VI; ISO 10993 Part 1 Compliant
Cleanroom Manufactured: Class 8 (100,000) Cleanroom
Other Technical Data: 1/4 turn Plug blood pressure cuff connector (wing shroud) to 5/32" (4.0mm) ID Hose Barb Fitting, White ABS. BPA Free. DEHP Free.

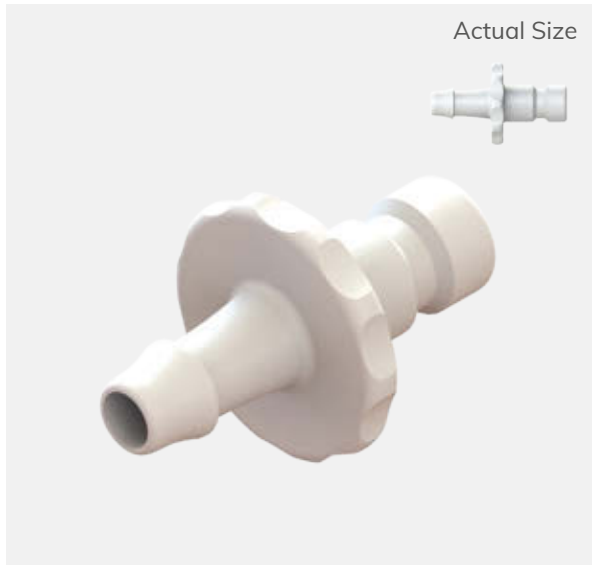


Price starting from: £2.67

*Price breaks available for larger quantities

Blood Pressure - Nylon

E-Q-160293 - ISO 80369-5 Blood Pressure Bayonet Style Plug Coupling, Non-Valved, 1/8" (3.2mm) ID Tube



Technical Data

Connection 1: 1/8" (3.2mm) ID Tube

Connection 2: To mating Socket Connector

Mounting Style: In-Line

Wetted Materials: Nylon

Non-wetted Materials: Nylon

Recommended Filtration: Depending on application

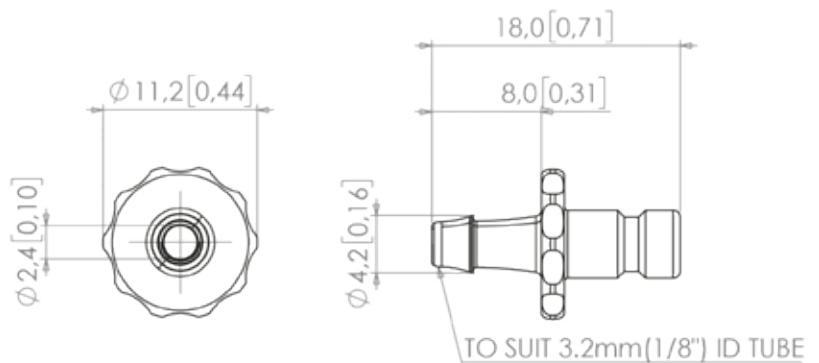
RoHS/REACH Compliant: Yes

Regulatory Information: 21 CFR 177.1550 FDA Approved;

ISO 80369-5 Compliant

Cleanroom Manufactured: Class 8 (100,000) Cleanroom

Other Technical Data: Blood Pressure Monitor Bayonet Connector to 1/8" (3.2mm) ID Hose Barbed Fitting, White Nylon. BPA Free. DEHP Free.



Price starting from: £0.22

*Price breaks available for larger quantities

● ISO 80369-5

More from this range



3/16" ID
In-Line
E-Q-160295



5/32" ID
In-Line
E-Q-160294

E-Q-160290 - Bayonet Style Socket Quick Connect Fitting to 1/8" (3.2mm) Barb, Black ABS Housing

Technical Data

Connection 1: 1/8" (3.2mm) ID Tube

Connection 2: To mating Plug Connector

Mounting Style: In-Line

Wetted Materials: ABS, Buna-N

Non-wetted Materials: ABS, Stainless Steel

Recommended Filtration: Depending on application

RoHS/REACH Compliant: Yes

Regulatory Information: USP Class VI; ISO 10993 Part 1 Compliant

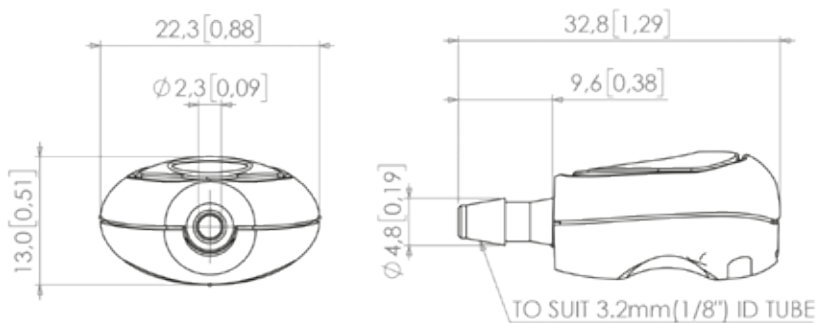
Cleanroom Manufactured: Class 8 (100,000) Cleanroom

Other Technical Data: Bayonet Style Socket Quick Connect Fitting to 1/8" (3.2mm) Barb, Black ABS Housing. BPA Free. DEHP Free.



Price starting from: £7.65

*Price breaks available for larger quantities



E-Q-160291 - Bayonet Style Socket Quick Connect Fitting to 5/32" (4.0mm) Barb, Black ABS Housing

Technical Data

Connection 1: 5/32" (4.0mm) ID Tube

Connection 2: To mating Plug Connector

Mounting Style: In-Line

Wetted Materials: ABS, Buna-N

Non-wetted Materials: ABS, Stainless Steel

Recommended Filtration: Depending on application

RoHS/REACH Compliant: Yes

Regulatory Information: USP Class VI Certified; ISO 10993 Compliant

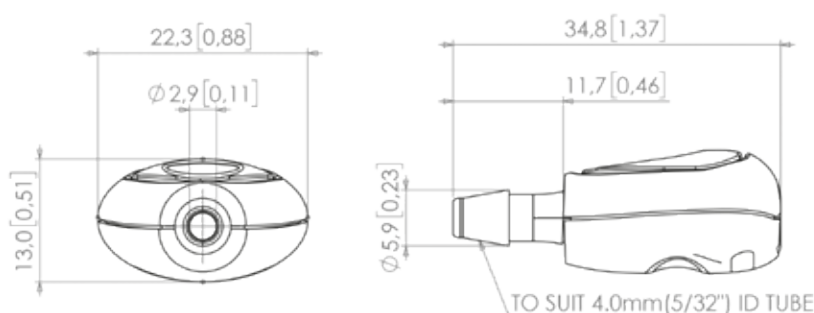
Cleanroom Manufactured: Class 8 (100,000) Cleanroom

Other Technical Data: Bayonet Style Socket Quick Connect Fitting to 5/32" (4.0mm) Barb, Black ABS Housing. BPA Free. DEHP Free.



Price starting from: £7.65

*Price breaks available for larger quantities



E-Q-160300 - Panel Mount Nut 1/4-28 UNF with 7/16" Hex, Stainless Steel

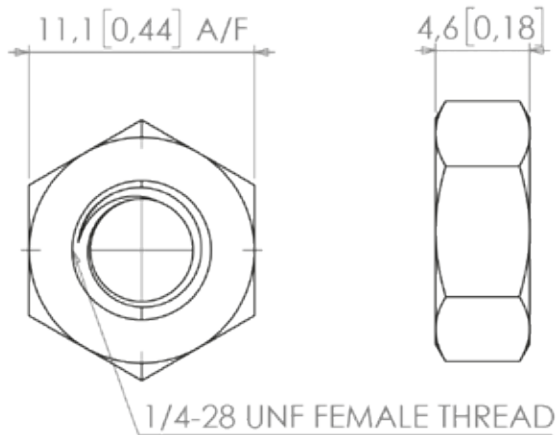


Technical Data

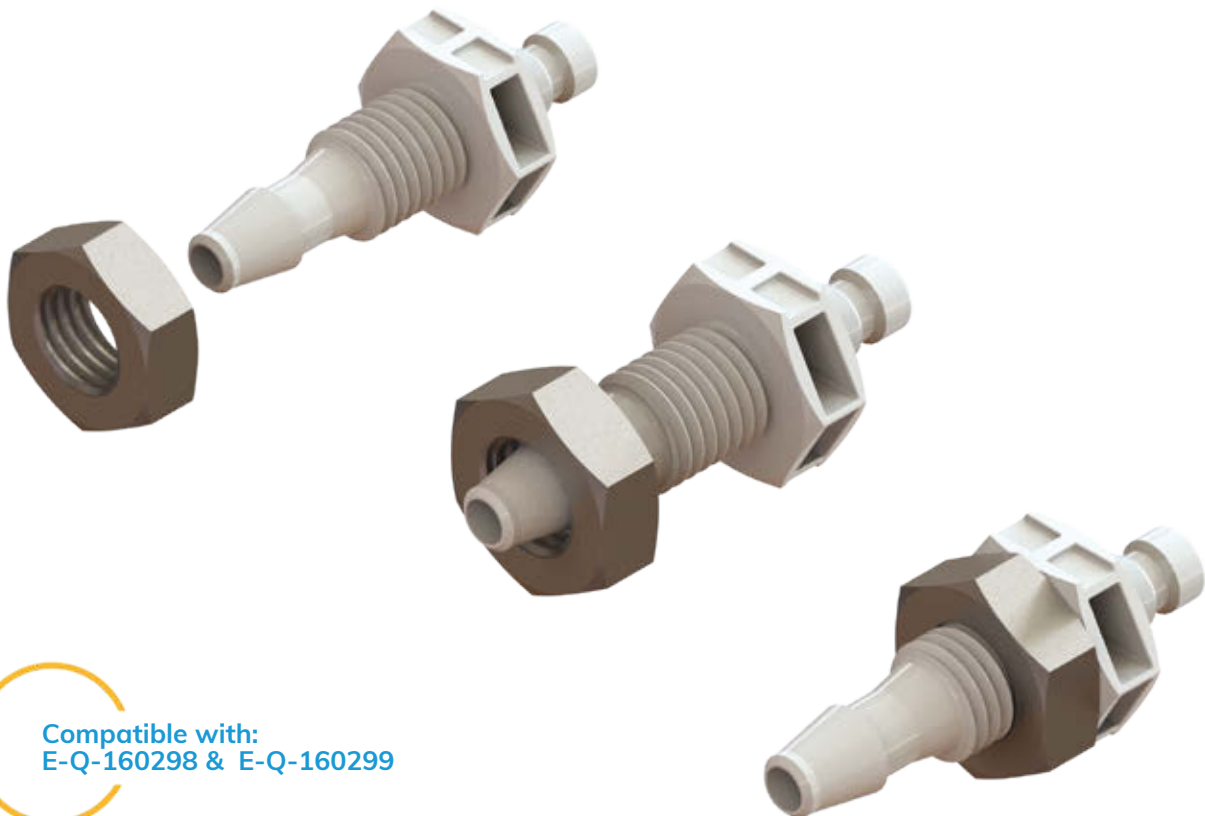
Connections: 1/4-28 UNF Female Thread
Mounting Style: Panel Mount
Wetted Materials: Stainless Steel
Non-wetted Materials: Stainless Steel
Recommended Filtration: Depending on application
RoHS/REACH Compliant: Yes
Cleanroom Manufactured: Class 8 (100,000) Cleanroom
Other Technical Data: Panel Mount Nut, Stainless Steel

Price starting from: £0.24

*Price breaks available for larger quantities



Compatible for Panel Mount Connection



Need a Check Valve?

Eox offers a wide range of check valves, available in various specification and material options. Valve types include: Duckbill, Floating Disc, Diaphragm, Poppets. For further information visit our check valve focus page.

We have recently added modular check valves to our range with many configurations available including barb, thread, push-in and cartridge only. These utilise a spring forced floating poppet which will allow flow at a cracking pressure which suits your application. Contact us to request our Check Valve catalogue providing detailed product data for every component including 1:1 representing component size and dimensional drawings.



Visit our online configurator to create your perfect check valve

Contact sales@eoxshop.com for your free modular check valve or cartridge sample or to learn more about our production capabilities including cleanroom manufactured check valves, bespoke labelling and and tube assembly production.

Multiple Bulkhead



Key features include:

- Multi line connection in single unit
- Fast efficient operation
- Reduce installation time
- Separate flow paths
- Valved/Non-Valved options available on socket side
- Keyed to prevent misalignment
- Resistant to most chemicals

What is a Multiple Bulkhead?

The multiple bulkhead coupling is ideal for connecting many media lines/bundle tubing, together at the same time. This allows for quick and easy swapping out of tooling/equipment, saving valuable downtime. Strong, but of lightweight plastic construction, they allow for easy handling, and a slide latch release allows for easy connection and disconnection of all lines simultaneously.

A keyed design prevents misconnection and misalignment, and independent transfer lines mean a mix of media and pressures can be used.

Operating Pressure:

Vacuum to 100 psi (6.9 bar)

Material Options:

Body: Acetal

Internal Valves: Acetal

Inserts: Acetal (Polyoxymethylene(POM))
Medical-Grade Polypropylene

Springs: 316 Stainless Steel

O-rings: Buna-N, Peroxide-Cured EPDM - other options available



Multiple Bulkhead - Acetal - Q10 Series

E-Q-160578 - Black Acetal, 10 Way Socket Coupling, 1/16" (1.6mm) ID Tube, Non-Valved, 1/16" Flow



Technical Data

Max. Inlet Pressure: 6.9 bar (100 psi)

Connection 1: 1/16" (1.6mm) ID Tube x10

Connection 2: To mating Q10 Plug Connector

Mounting Style: In-Line

Wetted Materials: Acetal

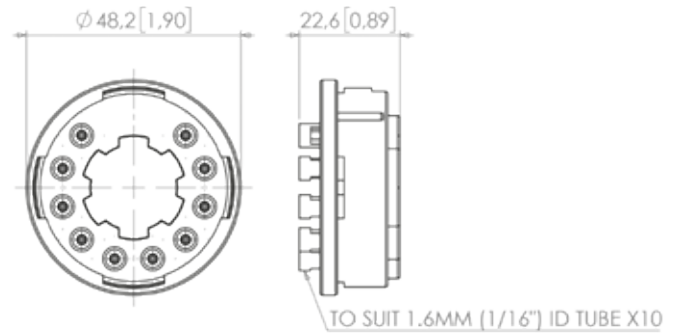
Non-wetted Materials: Acetal

Media/Ambient Temperature: -40°C to 82°C (-40°F to 180°F)

Recommended Filtration: Depending on application

RoHS/REACH Compliant: Yes

Other Technical Data: Connects with Q10 Couplings. This product is the ideal replacement for Luer fittings and are smallest connectors to date, these new couplings have a new and improved "Easy Grip Barrel" which helps provide a more secure grip and reliable connection. Suitable for bi-directional flow. Ideal for bespoke applications where you may wish to design your own mating connector.



Price starting from: £8.55

*Price breaks available for larger quantities

More from this range



1/16" ID
In-Line - Valved
E-Q-160581



1/8" ID
In-Line - Valved
E-Q-160583



3mm ID
In-Line - Non-Valved
E-Q-160579



1/8" ID
In-Line - Non-Valved
E-Q-160580

E-Q-160584 - Black Acetal, 10 Way Plug Coupling, Buna-N, 1/16" (1.6mm) ID Tube, Non-Valved, 1/16" Flow

Technical Data

Max. Inlet Pressure: 6.9 bar (100 psi)

Connection 1: 1/16" (1.6mm) ID Tube x10

Connection 2: To mating Q10 Socket Connector

Mounting Style: In-Line

Wetted Materials: Acetal, Buna-N

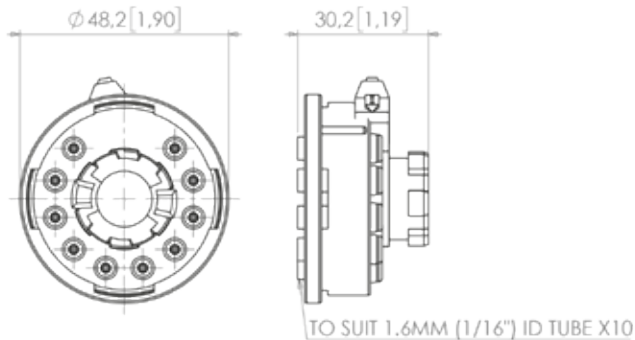
Non-wetted Materials: Acetal

Media/Ambient Temperature: -40°C to 82°C (-40°F to 180°F)

Recommended Filtration: Depending on application

RoHS/REACH Compliant: Yes

Other Technical Data: Connects with Q10 Couplings. This product is the ideal replacement for Luer fittings and are smallest connectors to date, these new couplings have a new and improved "Easy Grip Barrel" which helps provide a more secure grip and reliable connection. Suitable for bi-directional flow. Ideal for bespoke applications where you may wish to design your own mating connector.



Price starting from: £18.11

*Price breaks available for larger quantities

E-Q-160586 - Black Acetal, 10 Way Plug Coupling, Buna-N, 1/8" (3.2mm) ID Tube, Non-Valved, 1/16" Flow

Technical Data

Max. Inlet Pressure: 6.9 bar (100 psi)

Connection 1: 1/8" (3.2mm) ID Tube x10

Connection 2: To mating Q10 Socket Connector

Mounting Style: In-Line

Wetted Materials: Acetal, Buna-N

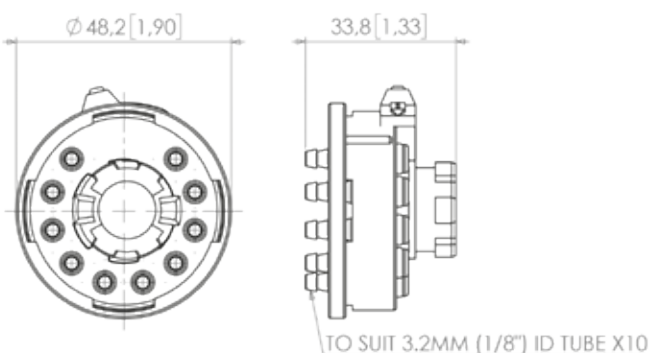
Non-wetted Materials: Acetal

Media/Ambient Temperature: -40°C to 82°C (-40°F to 180°F)

Recommended Filtration: Depending on application

RoHS/REACH Compliant: Yes

Other Technical Data: Connects with Q10 Couplings. This product is the ideal replacement for Luer fittings and are smallest connectors to date, these new couplings have a new and improved "Easy Grip Barrel" which helps provide a more secure grip and reliable connection. Suitable for bi-directional flow. Ideal for bespoke applications where you may wish to design your own mating connector.



Price starting from: £18.15

*Price breaks available for larger quantities

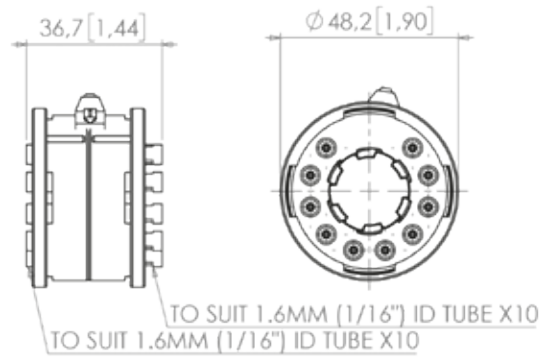
Multiple Bulkhead - Acetal - Q10 Series

E-Q-160587 - Black Acetal, 10 Way Coupling Set, Buna-N, 1/16" (1.6mm) ID Tube, Non-Valved, 1/16" Flow



Technical Data

Max. Inlet Pressure: 6.9 bar (100 psi)
Connections: 1/16" (1.6mm) ID Tube x10
Mounting Style: In-Line
Wetted Materials: Acetal, Buna-N
Non-wetted Materials: Acetal
Media/Ambient Temperature: -40°C to 82°C (-40°F to 180°F)
Recommended Filtration: Depending on application
RoHS/REACH Compliant: Yes
Other Technical Data: This product is the ideal replacement for Luer fittings and are smallest connectors to date, these new couplings have a new and improved "Easy Grip Barrel" which helps provide a more secure grip and reliable connection. Suitable for bi-directional flow. Ideal for bespoke applications where you may wish to design your own mating connector.



Price starting from: £27.13

*Price breaks available for larger quantities

More from this range



3mm ID
In-Line - Non-Valved
E-Q-160588



1/8" ID
In-Line - Non-Valved
E-Q-160589



1/16" ID
In-Line - Valved
E-Q-160590



3mm ID
In-Line - Valved
E-Q-160591



1/8" ID
In-Line - Valved
E-Q-160592

E-Q-160698 - Acetal Panel Mount Adapter and Nut

Technical Data

Mounting Style: Panel Mount

Wetted Materials: Acetal

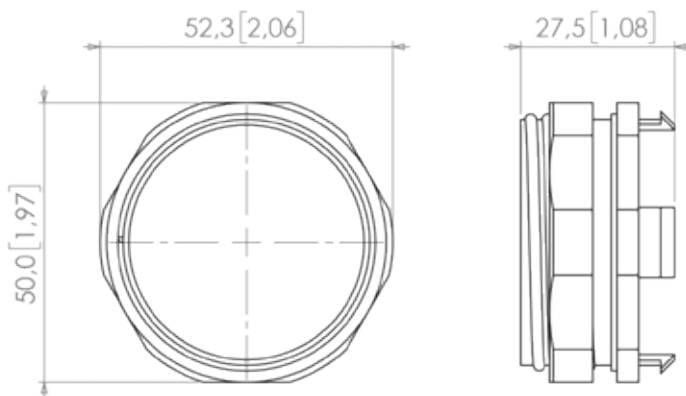
Non-wetted Materials: Acetal

Media/Ambient Temperature: -40°C to 82°C (-40°F to 180°F)

Recommended Filtration: Depending on application

RoHS/REACH Compliant: Yes

Other Technical Data: Acetal Panel Mount Adapter and Nut



Price starting from: £0.00

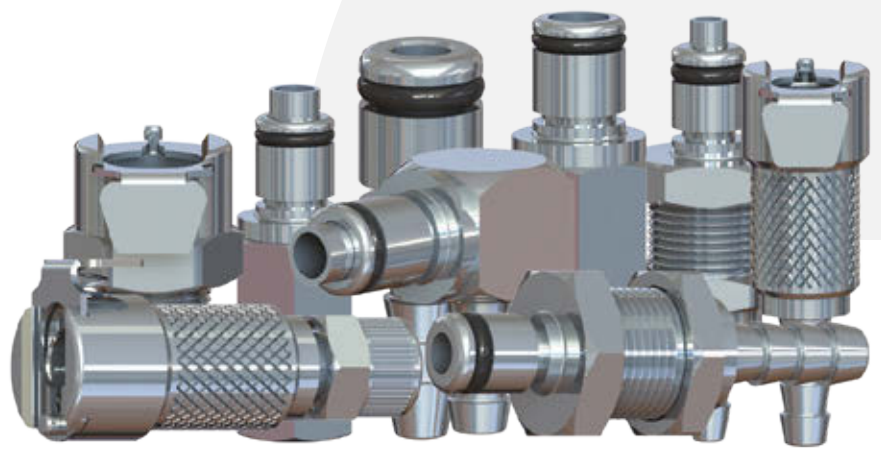
*Price breaks available for larger quantities

Need a Filter?

We offer filtration from as low as 0.10 Micron up to 250 Micron. There are many different material options available for both the filter element and the body housing as well as many connection styles from luer to luer, threaded, barb to barb and push-in.



Thumb Latch



Key features include:

- Audible click to ensure secure connection
- One-handed disconnection
- Easy to grip during operation
- Available in various mounting styles
- Medical grade material options available
- Connects with other thumb-latch type couplings
- Valved/Non-Valved options available
- Resistant to most chemicals and suitable for industrial and medical applications

What is a Thumb Latch?

Thumb latch couplings are operated by means of a mechanical latch on the female coupling. This allows for one-handed connection and disconnection of the female and male halves. An audible 'click' confirms when the couplings are fully connected, providing a safe and secure connection. Rotation while connected prevents kinking and twisting of tubing.

Eox guarantees that its thumb latch couplings will interconnect with all pre-existing industry standard interchangeable thumb latch couplings that are deemed of the same size and style.

Operating Pressure:

Metal: Vacuum to 250 psi (17.3 bar)

For SS316 contact us for further details

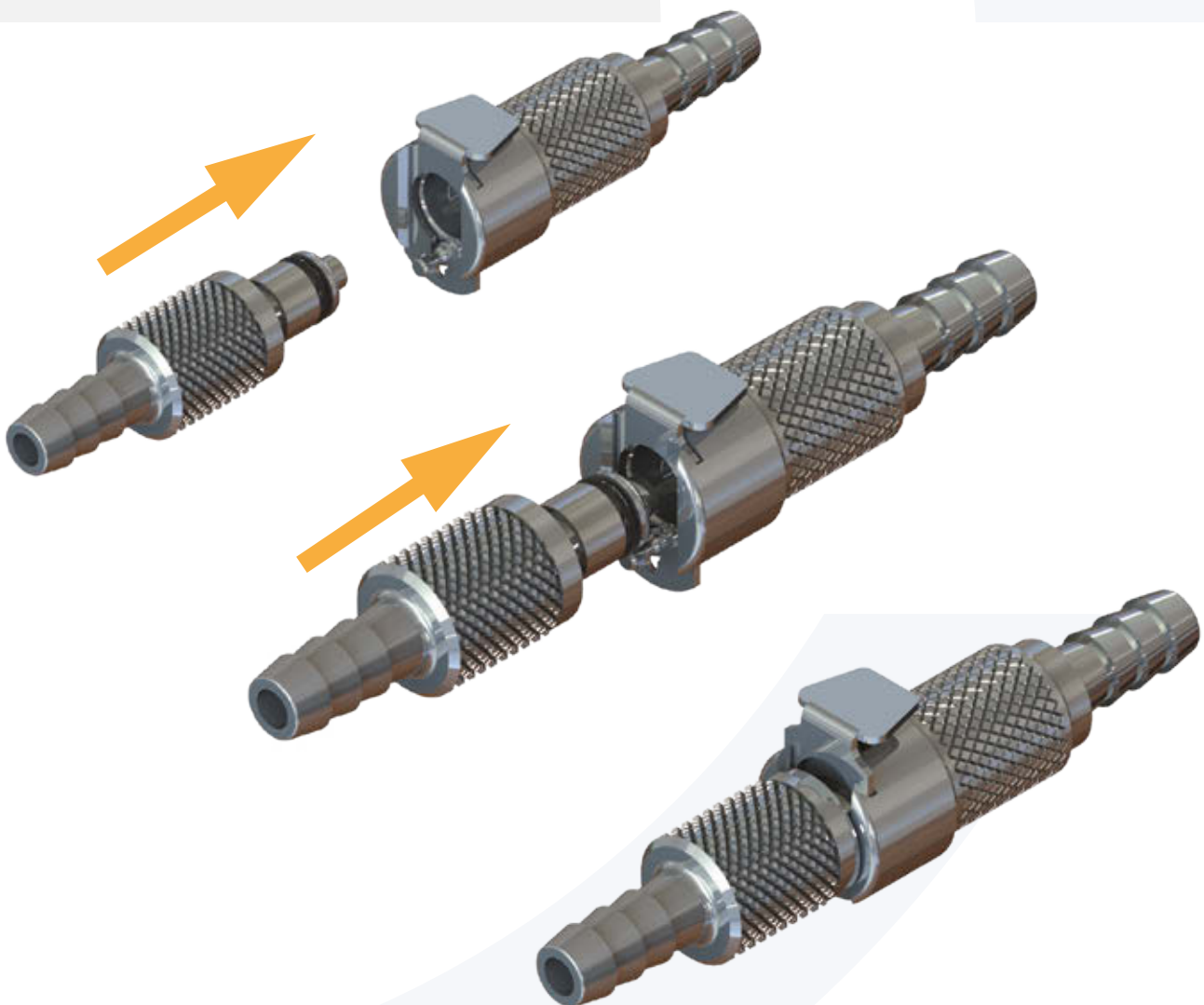
Material Options:

Body: Chrome Plated Brass, 316 Stainless Steel

O-rings: Buna and Peroxide-Cured EPDM as standard - Viton, Silicone and Medical/Food Grade

Pin, Spring & latch: Stainless steel. Stainless Steel 316 internal spring

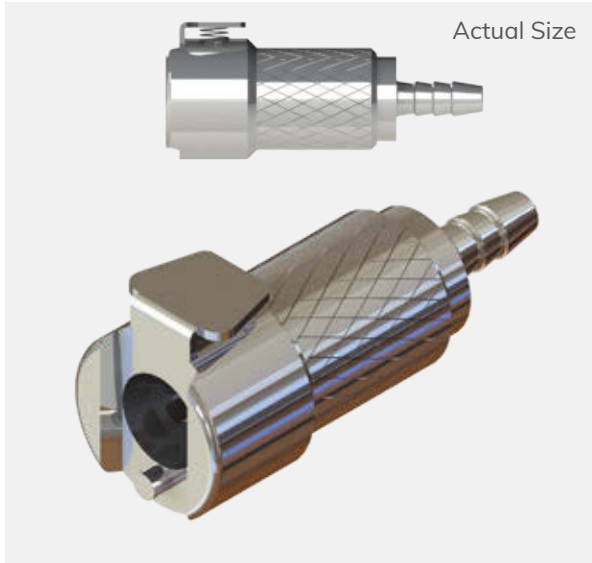
O-ring materials available on request



Please note - Interconnect guarantee is for Q2 and Q4 series PP, SS316, CB and Acetal range only

Metal Thumb Latch - Chrome Plated Brass - Q2 Series

E-Q-160612 - Chrome Plated Brass Socket Coupling, Buna-N Seal, 1/8" (3.2mm) ID Tube, Non-Valved, 1/8" Flow



Technical Data

Max. Inlet Pressure: 17.3 bar (250 psi)

Connection 1: 1/8" (3.2mm) ID Tube

Connection 2: To mating Q2 Plug Connector

Mounting Style: In-Line

Wetted Materials: Chrome Plated Brass, Buna-N, Acetal, 316 Stainless Steel

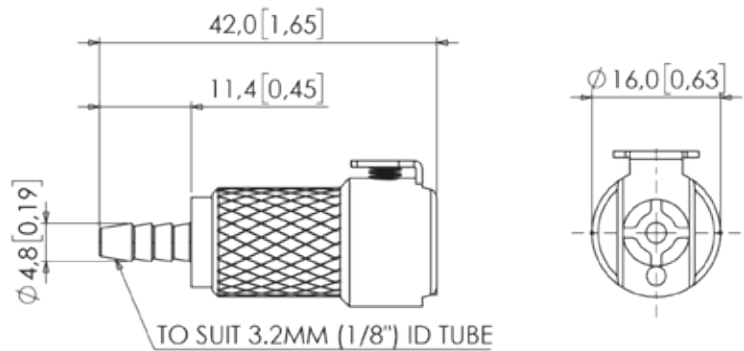
Non-wetted Materials: Chrome Plated Brass, Stainless Steel

Media/Ambient Temperature: -40°C to 82°C (-40°F to 180°F)

Recommended Filtration: Depending on application

RoHS/REACH Compliant: Yes

Other Technical Data: Connects with Q2 Couplings. This product is guaranteed to interconnect with all pre-existing industry standard interchangeable thumb-latch quick release couplings of the same size and style, or if not will be replaced or refunded. Suitable for bi-directional flow.



Price starting from: £17.42

*Price breaks available for larger quantities

● Connects with Q2 Series Plugs

More from this range



3/16" ID
In-Line
E-Q-160613



1/4" ID
In-Line
E-Q-160614

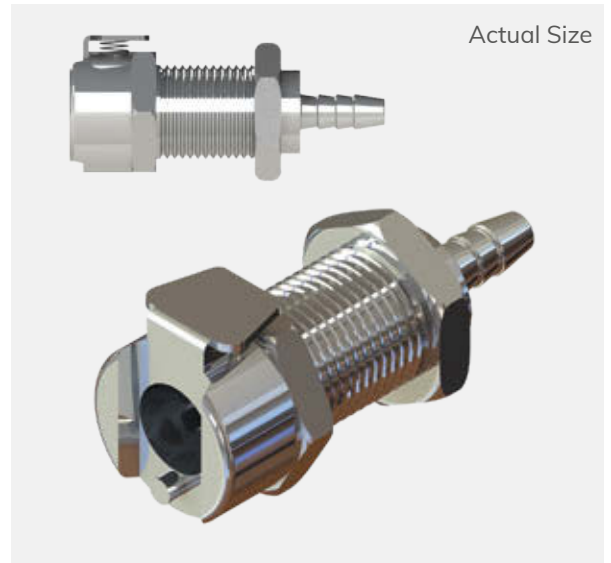


6.4mm OD/4.3mm ID
In-Line
E-Q-160620

E-Q-160615 - Chrome Plated Brass Panel Mount Socket Coupling, Buna-N Seal, 1/8" (3.2mm) ID Tube, Non-Valved, 1/8" Flow

Technical Data

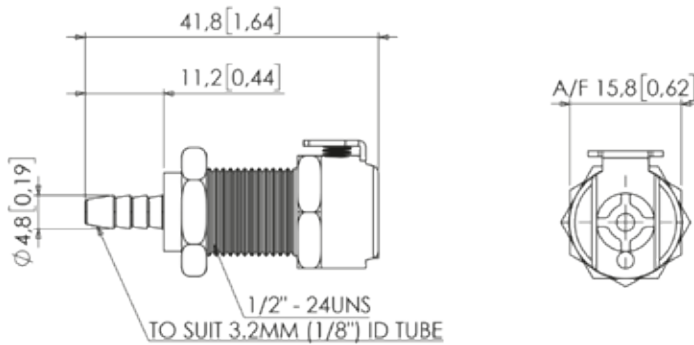
Max. Inlet Pressure: 17.3 bar (250 psi)
Connection 1: 1/8" (3.2mm) ID Tube
Connection 2: To mating Q2 Plug Connector
Mounting Style: Panel Mount
Wetted Materials: Chrome Plated Brass, Buna-N, Acetal, 316 Stainless Steel
Non-wetted Materials: Chrome Plated Brass, Stainless Steel
Media/Ambient Temperature: -40°C to 82°C (-40°F to 180°F)
Recommended Filtration: Depending on application
RoHS/REACH Compliant: Yes
Other Technical Data: Connects with Q2 Couplings. This product is guaranteed to interconnect with all pre-existing industry standard interchangeable thumb-latch quick release couplings of the same size and style, or if not will be replaced or refunded. Suitable for bi-directional flow.



Price starting from: £17.26

*Price breaks available for larger quantities

● Connects with Q2 Series Plugs



More from this range



3/16" ID
Panel Mount
E-Q-160616



1/4" ID
Panel Mount
E-Q-160617



4.0mm OD/2.5mm ID
Panel Mount
E-Q-160618



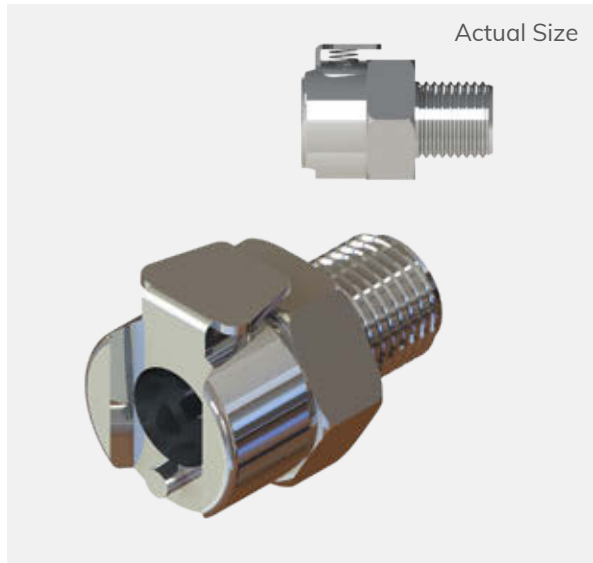
6.4mm OD/4.3mm ID
Panel Mount
E-Q-160619



1/8" NPT
Panel Mount
E-Q-160621

Metal Thumb Latch - Chrome Plated Brass - Q2 Series

E-Q-160608 - Chrome Plated Brass Socket Coupling, Buna-N Seal, 1/8" NPT Male Thread, Non-Valved, 1/8" Flow



Technical Data

Max. Inlet Pressure: 17.3 bar (250 psi)

Connection 1: 1/8" NPT Male Thread

Connection 2: To mating Q2 Plug Connector

Mounting Style: Threaded

Wetted Materials: Chrome Plated Brass, Buna-N, Acetal, 316 Stainless Steel

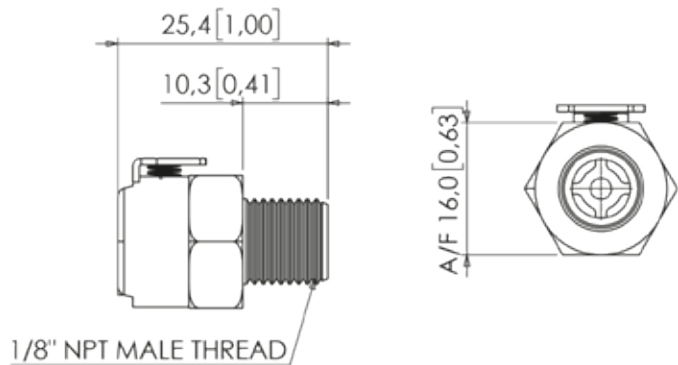
Non-wetted Materials: Chrome Plated Brass, Stainless Steel

Media/Ambient Temperature: -40°C to 82°C (-40°F to 180°F)

Recommended Filtration: Depending on application

RoHS/REACH Compliant: Yes

Other Technical Data: Connects with Q2 Couplings. This product is guaranteed to interconnect with all pre-existing industry standard interchangeable thumb-latch quick release couplings of the same size and style, or if not will be replaced or refunded. Suitable for bi-directional flow.



Price starting from: £11.83

*Price breaks available for larger quantities

● Connects with Q2 Series Plugs

More from this range



1/8" BSPT
Threaded
E-Q-160609



1/4" BSPT
Threaded
E-Q-160611



1/4" NPT
Threaded
E-Q-160610



10-32 UNF Female
Thread - Panel Mount
E-Q-160622

E-Q-160597 - Chrome Plated Brass Socket Coupling, 1/8" (3.2mm) ID Tube, Non-Valved, 1/8" Flow

Technical Data

Max. Inlet Pressure: 17.3 bar (250 psi)

Connection 1: 1/8" (3.2mm) ID Tube

Connection 2: To mating Q2 Plug Connector

Mounting Style: In-Line

Wetted Materials: Chrome Plated Brass

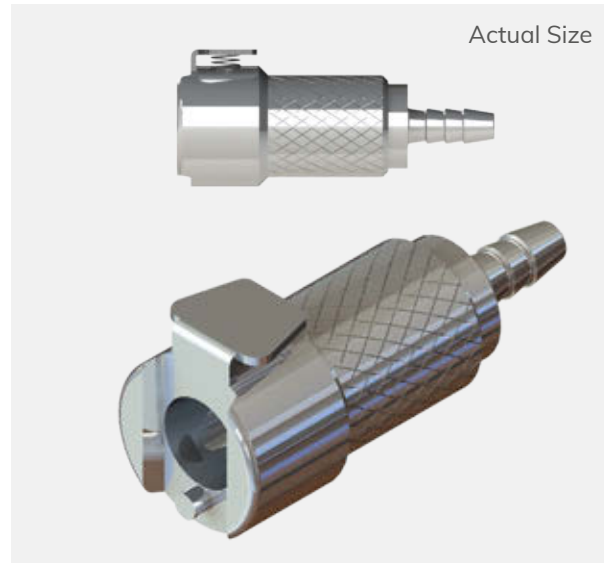
Non-wetted Materials: Chrome Plated Brass, Stainless Steel

Media/Ambient Temperature: -40°C to 82°C (-40°F to 180°F)

Recommended Filtration: Depending on application

RoHS/REACH Compliant: Yes

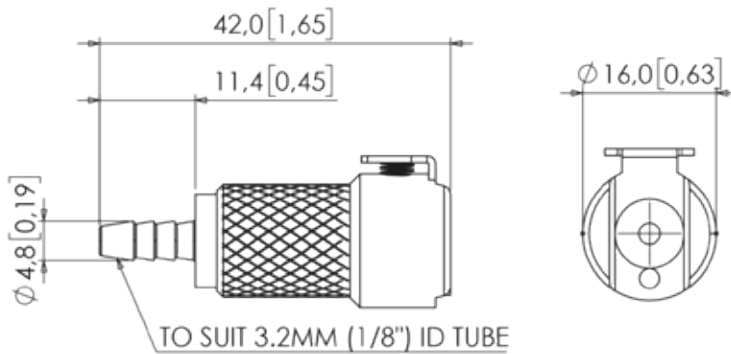
Other Technical Data: Connects with Q2 Couplings. This product is guaranteed to interconnect with all pre-existing industry standard interchangeable thumb-latch quick release couplings of the same size and style, or if not will be replaced or refunded. Suitable for bi-directional flow.



Price starting from: £16.86

*Price breaks available for larger quantities

● Connects with Q2 Series Plugs



More from this range



3/16" ID
In-Line
E-Q-160598



1/4" ID
In-Line
E-Q-160599



6.4mm OD/4.3mm ID
In-Line
E-Q-160605



1/8" ID
Panel Mount
E-Q-160600



3/16" ID
Panel Mount
E-Q-160601



1/4" ID
Panel Mount
E-Q-160602



6.4mm OD/4.3mm ID
Panel Mount
E-Q-160604



1/8" NPT
Threaded
E-Q-160593

Metal Thumb Latch - Chrome Plated Brass - Q2 Series

E-Q-160626 - Chrome Plated Brass Plug Coupling, Buna-N Seal, 1/8" (3.2mm) ID Tube, Non-Valved, 1/8" Flow



Technical Data

Max. Inlet Pressure: 17.3 bar (250 psi)

Connection 1: 1/8" (3.2mm) ID Tube

Connection 2: To mating Q2 Socket Connector

Mounting Style: In-Line

Wetted Materials: Chrome Plated Brass, Buna-N

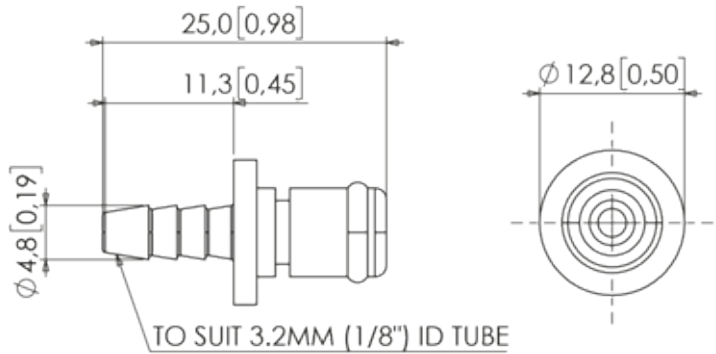
Non-wetted Materials: Chrome Plated Brass

Media/Ambient Temperature: -40°C to 82°C (-40°F to 180°F)

Recommended Filtration: Depending on application

RoHS/REACH Compliant: Yes

Other Technical Data: Connects with Q2 Couplings. This product is guaranteed to interconnect with all pre-existing industry standard interchangeable thumb-latch quick release couplings of the same size and style, or if not will be replaced or refunded. Suitable for bi-directional flow.



Price starting from: £5.37

*Price breaks available for larger quantities

● Connects with Q2 Series Sockets

More from this range



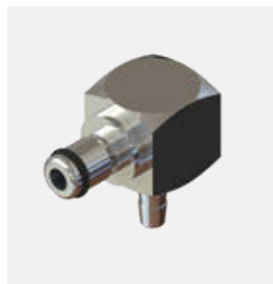
3/16" ID
In-Line
E-Q-160627



1/4" ID
In-Line
E-Q-160628



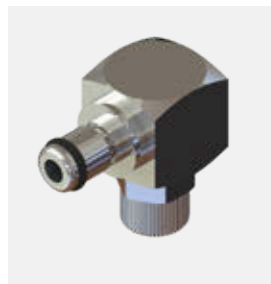
6.4mm OD/4.3mm ID
In-Line
E-Q-160636



1/8" ID
In-Line-Elbow
E-Q-160632



1/4" ID
In-Line-Elbow
E-Q-160633



6.4mm OD/4.3mm ID
In-Line-Elbow
E-Q-160637

E-Q-160629 - Chrome Plated Brass Panel Mount Plug Coupling, Buna-N Seal, 1/8" (3.2mm) ID Tube, Non-Valved, 1/8" Flow

Technical Data

Max. Inlet Pressure: 17.3 bar (250 psi)

Connection 1: 1/8" (3.2mm) ID Tube

Connection 2: To mating Q2 Socket Connector

Mounting Style: Panel Mount

Wetted Materials: Chrome Plated Brass, Buna-N

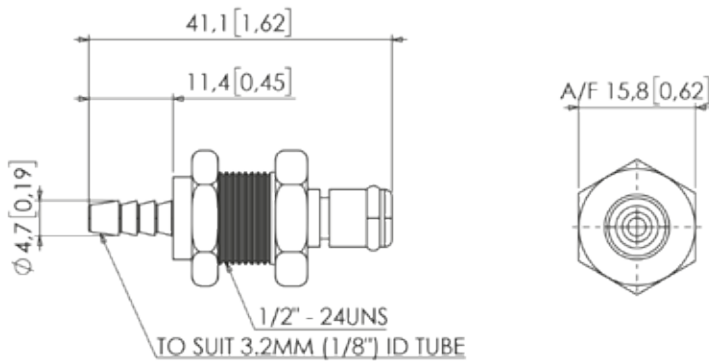
Non-wetted Materials: Chrome Plated Brass

Media/Ambient Temperature: -40°C to 82°C (-40°F to 180°F)

Recommended Filtration: Depending on application

RoHS/REACH Compliant: Yes

Other Technical Data: Connects with Q2 Couplings. This product is guaranteed to interconnect with all pre-existing industry standard interchangeable thumb-latch quick release couplings of the same size and style, or if not will be replaced or refunded. Suitable for bi-directional flow.



Price starting from: £12.27

*Price breaks available for larger quantities

● Connects with Q2 Series Sockets

More from this range



3/16" ID
Panel Mount
E-Q-160630



1/4" ID
Panel Mount
E-Q-160631



6.4mm OD/4.3mm ID
Panel Mount
E-Q-160634

Metal Thumb Latch - Chrome Plated Brass - Q2 Series

E-Q-160623 - Chrome Plated Brass Plug Coupling, Buna-N Seal, 1/8" NPT Male Thread, Non-Valved, 1/8" Flow



Technical Data

Max. Inlet Pressure: 17.3 bar (250 psi)

Connection 1: 1/8" NPT Male Thread

Connection 2: To mating Q2 Socket Connector

Mounting Style: Threaded

Wetted Materials: Chrome Plated Brass, Buna-N

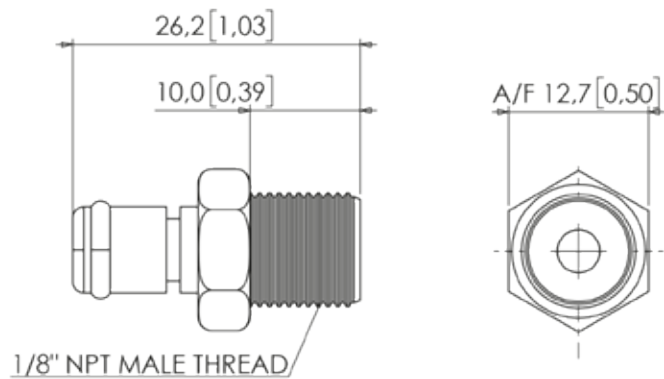
Non-wetted Materials: Chrome Plated Brass

Media/Ambient Temperature: -40°C to 82°C (-40°F to 180°F)

Recommended Filtration: Depending on application

RoHS/REACH Compliant: Yes

Other Technical Data: Connects with Q2 Couplings. This product is guaranteed to interconnect with all pre-existing industry standard interchangeable thumb-latch quick release couplings of the same size and style, or if not will be replaced or refunded. Suitable for bi-directional flow.



Price starting from: £5.89

*Price breaks available for larger quantities

● Connects with Q2 Series Sockets

More from this range



1/4" NPT
Threaded
E-Q-160625



1/8" BSPT
Threaded
E-Q-160624

E-Q-160644 - Chrome Plated Brass Plug Coupling, Buna-N Seal, 1/8" (3.2mm) ID Tube, Valved, 1/8" Flow

Technical Data

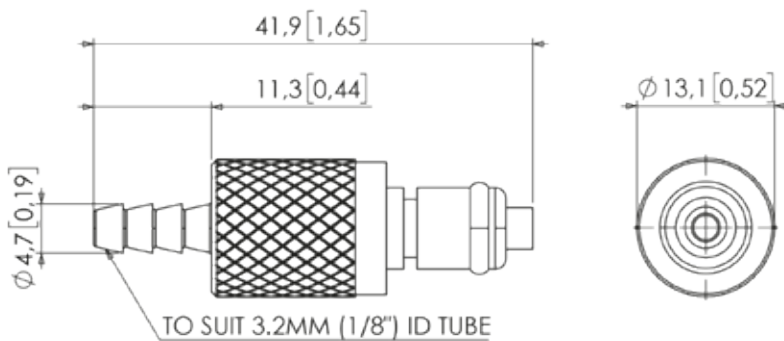
Max. Inlet Pressure: 17.3 bar (250 psi)
Connection 1: 1/8" (3.2mm) ID Tube
Connection 2: To mating Q2 Socket Connector
Mounting Style: In-Line
Wetted Materials: Chrome Plated Brass, Buna-N, Acetal, 316 Stainless Steel
Non-wetted Materials: Chrome Plated Brass
Media/Ambient Temperature: -40°C to 82°C (-40°F to 180°F)
Recommended Filtration: Depending on application
RoHS/REACH Compliant: Yes
Other Technical Data: Connects with Q2 Couplings. This product is guaranteed to interconnect with all pre-existing industry standard interchangeable thumb-latch quick release couplings of the same size and style, or if not will be replaced or refunded. Suitable for bi-directional flow.



Price starting from: £11.69

*Price breaks available for larger quantities

● Connects with Q2 Series Sockets



More from this range



3/16" ID
In-Line
E-Q-160645



1/4" ID
In-Line
E-Q-160646



6.4mm OD/4.3mm ID
In-Line
E-Q-160654



1/8" ID
In-Line-Elbow
E-Q-160650



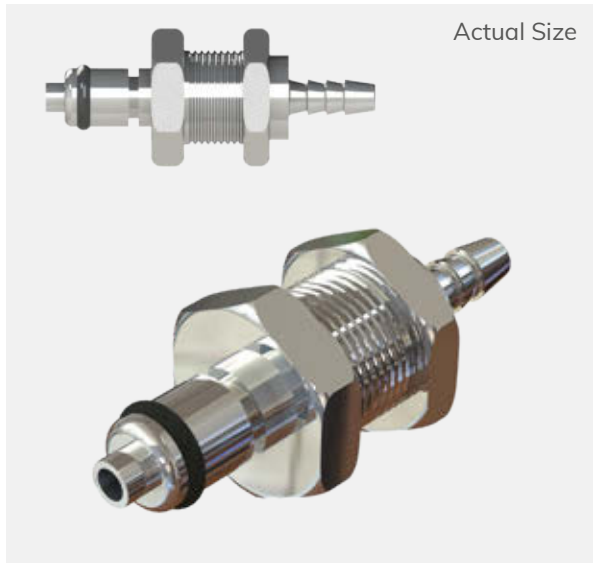
1/4" ID
In-Line-Elbow
E-Q-160651



6.4mm OD/4.3mm ID
In-Line-Elbow
E-Q-160655

Metal Thumb Latch - Chrome Plated Brass - Q2 Series

E-Q-160647 - Chrome Plated Brass Panel Mount Plug Coupling, Buna-N Seal, 1/8" (3.2mm) ID Tube, Valved, 1/8" Flow



Technical Data

Max. Inlet Pressure: 17.3 bar (250 psi)

Connection 1: 1/8" (3.2mm) ID Tube

Connection 2: To mating Q2 Socket Connector

Mounting Style: Panel Mount

Wetted Materials: Chrome Plated Brass, Buna-N, Acetal, 316 Stainless Steel

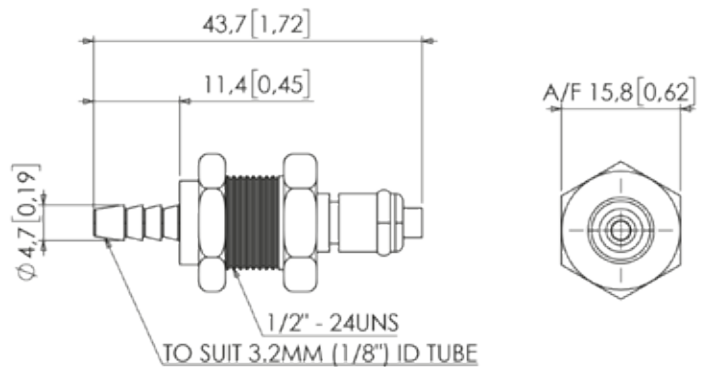
Non-wetted Materials: Chrome Plated Brass

Media/Ambient Temperature: -40°C to 82°C (-40°F to 180°F)

Recommended Filtration: Depending on application

RoHS/REACH Compliant: Yes

Other Technical Data: Connects with Q2 Couplings. This product is guaranteed to interconnect with all pre-existing industry standard interchangeable thumb-latch quick release couplings of the same size and style, or if not will be replaced or refunded. Suitable for bi-directional flow.



Price starting from: £14.77

*Price breaks available for larger quantities

● Connects with Q2 Series Sockets

More from this range



3/16" ID
Panel Mount
E-Q-160648



1/4" ID
Panel Mount
E-Q-160649



6.4mm OD/4.3mm ID
Panel Mount
E-Q-160652

E-Q-160641 - Chrome Plated Brass Plug Coupling, Buna-N Seal, 1/8" NPT Male Thread, Valved, 1/8" Flow

Technical Data

Max. Inlet Pressure: 17.3 bar (250 psi)

Connection 1: 1/8" NPT Male Thread

Connection 2: To mating Q2 Socket Connector

Mounting Style: Threaded

Wetted Materials: Chrome Plated Brass, Buna-N, Acetal, 316 Stainless Steel

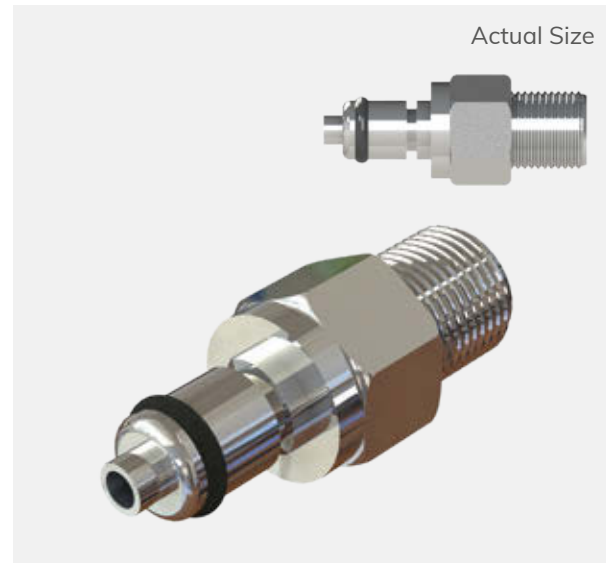
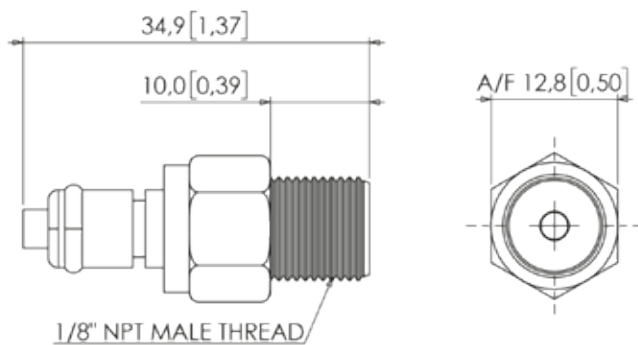
Non-wetted Materials: Chrome Plated Brass

Media/Ambient Temperature: -40°C to 82°C (-40°F to 180°F)

Recommended Filtration: Depending on application

RoHS/REACH Compliant: Yes

Other Technical Data: Connects with Q2 Couplings. This product is guaranteed to interconnect with all pre-existing industry standard interchangeable thumb-latch quick release couplings of the same size and style, or if not will be replaced or refunded. Suitable for bi-directional flow.



Price starting from: £12.12

*Price breaks available for larger quantities

• Connects with Q2 Series Sockets

More from this range



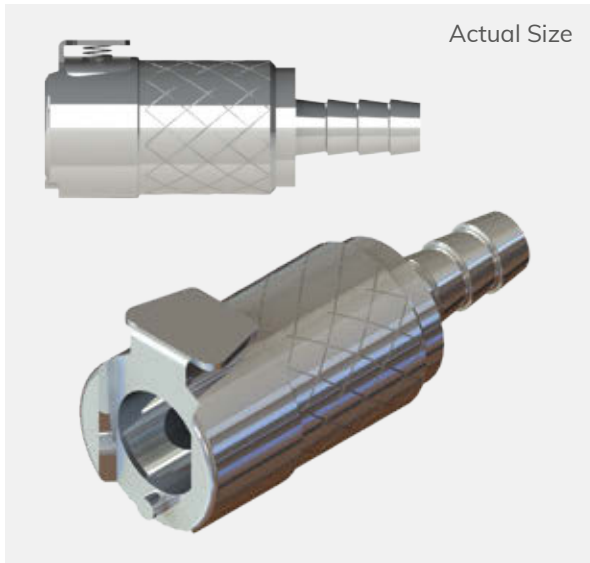
1/8" BSPT
Threaded
E-Q-160642



1/4" NPT
Threaded
E-Q-160643

Metal Thumb Latch - Chrome Plated Brass - Q4 Series

E-Q-160659 - Chrome Plated Brass Socket Coupling, 1/4" (6.4mm) ID Tube, Non-Valved, 1/4" Flow



Technical Data

Max. Inlet Pressure: 17.3 bar (250 psi)

Connection 1: 1/4" (6.4mm) ID Tube

Connection 2: To mating Q4 Plug Connector

Mounting Style: In-Line

Wetted Materials: Chrome Plated Brass

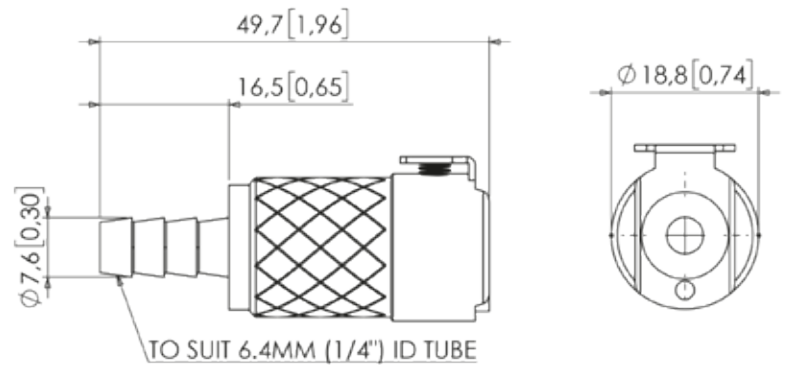
Non-wetted Materials: Chrome Plated Brass, Stainless Steel

Media/Ambient Temperature: -40°C to 82°C (-40°F to 180°F)

Recommended Filtration: Depending on application

RoHS/REACH Compliant: Yes

Other Technical Data: Connects with Q4 Couplings. This product is guaranteed to interconnect with all pre-existing industry standard interchangeable thumb-latch quick release couplings of the same size and style, or if not will be replaced or refunded. Suitable for bi-directional flow.



Price starting from: £21.31

*Price breaks available for larger quantities

● Connects with Q4 Series Plugs

More from this range



1/4" ID
Panel Mount
E-Q-160660



6.4mm OD/4.3mm ID
Panel Mount
E-Q-160661



1/4" NPT
Panel Mount
E-Q-160663



1/4" BSPT
Threaded
E-Q-160658



1/4" NPT
Female Thread
E-Q-160664



1/4" NPT
Threaded
E-Q-160657

E-Q-160667 - Chrome Plated Brass Socket Coupling, Buna-N Seal, 1/4" (6.4mm) ID Tube, Valved, 1/4" Flow

Technical Data

Max. Inlet Pressure: 17.3 bar (250 psi)

Connection 1: 1/4" (6.4mm) ID Tube

Connection 2: To mating Q4 Plug Connector

Mounting Style: In-Line

Wetted Materials: Chrome Plated Brass, Buna-N, Acetal, 316 Stainless Steel

Non-wetted Materials: Chrome Plated Brass, Stainless Steel

Media/Ambient Temperature: -40°C to 82°C (-40°F to 180°F)

Recommended Filtration: Depending on application

RoHS/REACH Compliant: Yes

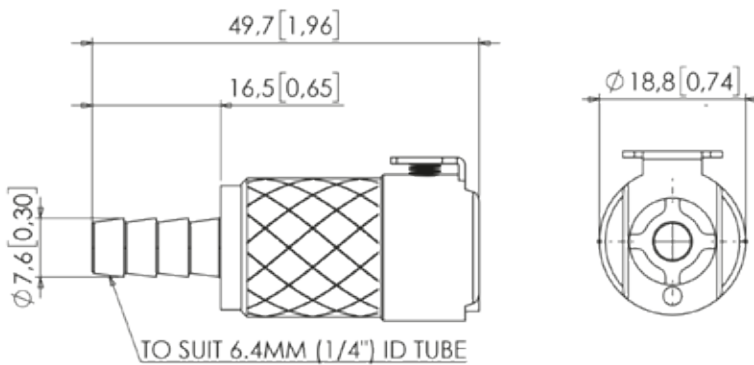
Other Technical Data: Connects with Q4 Couplings. This product is guaranteed to interconnect with all pre-existing industry standard interchangeable thumb-latch quick release couplings of the same size and style, or if not will be replaced or refunded. Suitable for bi-directional flow.



Price starting from: £22.33

*Price breaks available for larger quantities

● Connects with Q4 Series Plugs



More from this range



1/4" ID
Panel Mount
E-Q-160668



6.4mm OD/4.3mm ID
Panel Mount
E-Q-160669



1/4" NPT
Panel Mount
E-Q-160671



1/4" NPT
Threaded
E-Q-160665



1/4" BSPT
Threaded
E-Q-160666

Metal Thumb Latch - Chrome Plated Brass - Q4 Series

E-Q-160684 - Chrome Plated Brass Plug Coupling, Buna-N Seal, 1/4" (6.4mm) ID Tube, Valved, 1/4" Flow



Technical Data

Max. Inlet Pressure: 17.3 bar (250 psi)

Connection 1: 1/4" (6.4mm) ID Tube

Connection 2: To mating Q4 Socket Connector

Mounting Style: In-Line

Wetted Materials: Chrome Plated Brass, Buna-N, Acetal, 316 Stainless Steel

Non-wetted Materials: Chrome Plated Brass

Media/Ambient Temperature: -40°C to 82°C (-40°F to 180°F)

Recommended Filtration: Depending on application

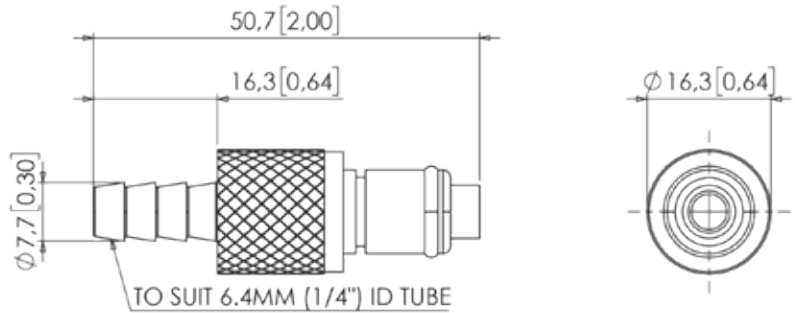
RoHS/REACH Compliant: Yes

Other Technical Data: Connects with Q4 Couplings. This product is guaranteed to interconnect with all pre-existing industry standard interchangeable thumb-latch quick release couplings of the same size and style, or if not will be replaced or refunded. Suitable for bi-directional flow.

Price starting from: £13.73

*Price breaks available for larger quantities

Connects with Q4 Series Sockets



More from this range



6.4mm OD/4.3mm ID
In-Line
E-Q-160688



1/4" ID
In-Line-Elbow
E-Q-160686



6.4mm OD/4.3mm ID
In-Line-Elbow
E-Q-160689



1/4" ID
Panel Mount
E-Q-160685



1/4" BSPT
Threaded
E-Q-160683



1/4" NPT
Threaded
E-Q-160682



1/4" NPT
Female Thread
E-Q-160690

E-Q-160675 - Chrome Plated Brass Plug Coupling, Buna-N Seal, 1/4" (6.4mm) ID Tube, Non-Valved, 1/4" Flow

Technical Data

Max. Inlet Pressure: 17.3 bar (250 psi)

Connection 1: 1/4" (6.4mm) ID Tube

Connection 2: To mating Q4 Socket Connector

Mounting Style: In-Line

Wetted Materials: Chrome Plated Brass, Buna-N

Non-wetted Materials: Chrome Plated Brass

Media/Ambient Temperature: -40°C to 82°C (-40°F to 180°F)

Recommended Filtration: Depending on application

RoHS/REACH Compliant: Yes

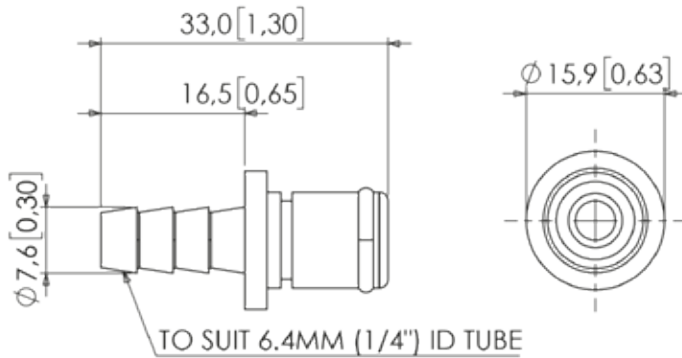
Other Technical Data: Connects with Q4 Couplings. This product is guaranteed to interconnect with all pre-existing industry standard interchangeable thumb-latch quick release couplings of the same size and style, or if not will be replaced or refunded. Suitable for bi-directional flow.



Price starting from: £6.35

*Price breaks available for larger quantities

● Connects with Q4 Series Sockets



More from this range



6.4mm OD/4.3mm ID
In-Line-Elbow
E-Q-160680



1/4" ID
Panel Mount
E-Q-160676



6.4mm OD/4.3mm ID
In-Line
E-Q-160679



1/4" NPT
Threaded
E-Q-160673

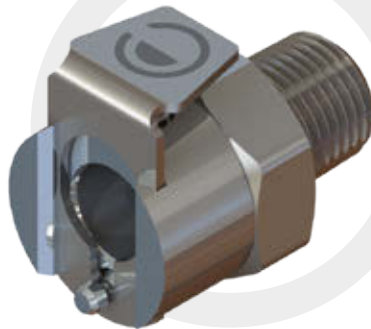
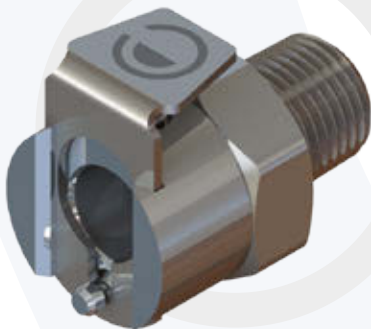


1/4" NPT
Female Thread
E-Q-160681

Introducing - EQC Series Couplings

Key features include:

- 316 Stainless Steel Body
- 316 Stainless Steel Springs
- 316 Stainless Steel Poppet (valved option only)
- O-ring – EPDM (Silicone, FKM available on request)

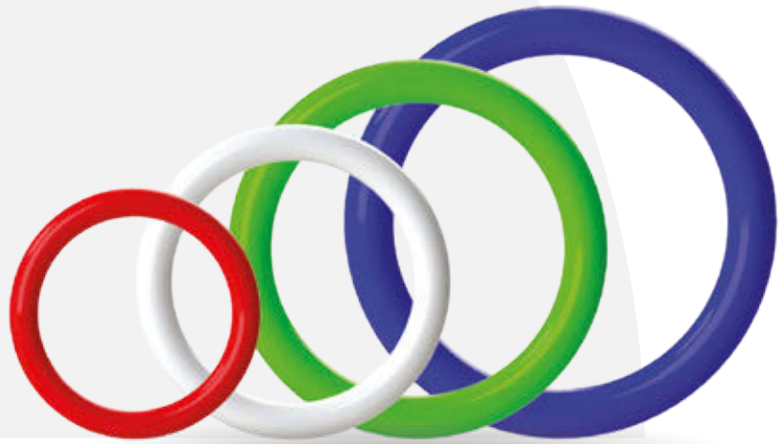


Customise your EQC Series Coupling

O-rings - Available in various materials and colours

Available Materials:

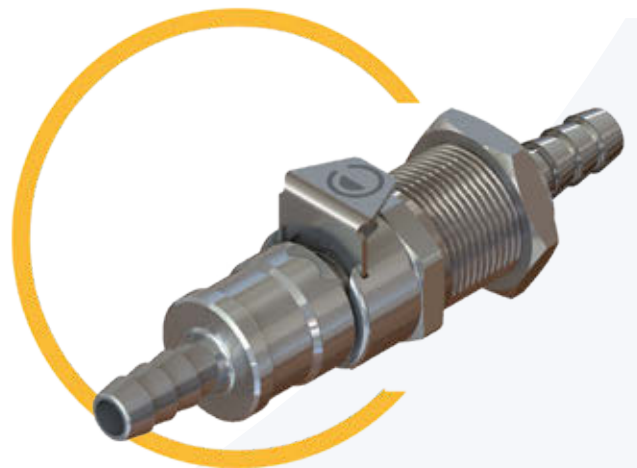
- Buna-N
- Silicone
- EPDM
- Viton



We can engrave your company logo



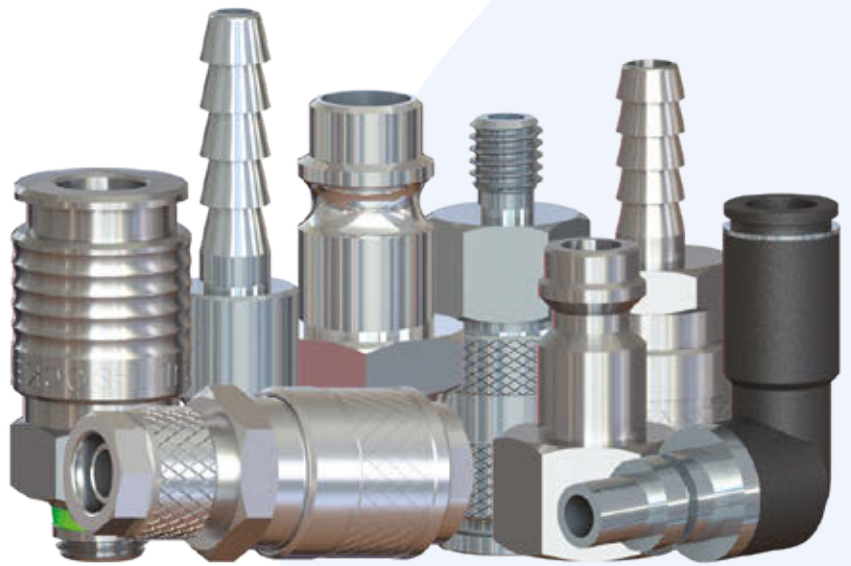
add your logo here!



For more information on our EQC Series

Contact us - sales@eoxshop.com

Sliding Collar



Key features include:

- Audible click to ensure secure connection
- Single handed disconnection
- Safety slide release minimises accidental disconnections
- Resistant to most chemicals and suitable for industrial and medical applications
- Valved/Non-Valved options available

What is a Sliding Collar?

These sliding collar couplings can be connected with one hand by way of a sliding collar. An audible 'click' confirms correct connection.

Operating Pressure:

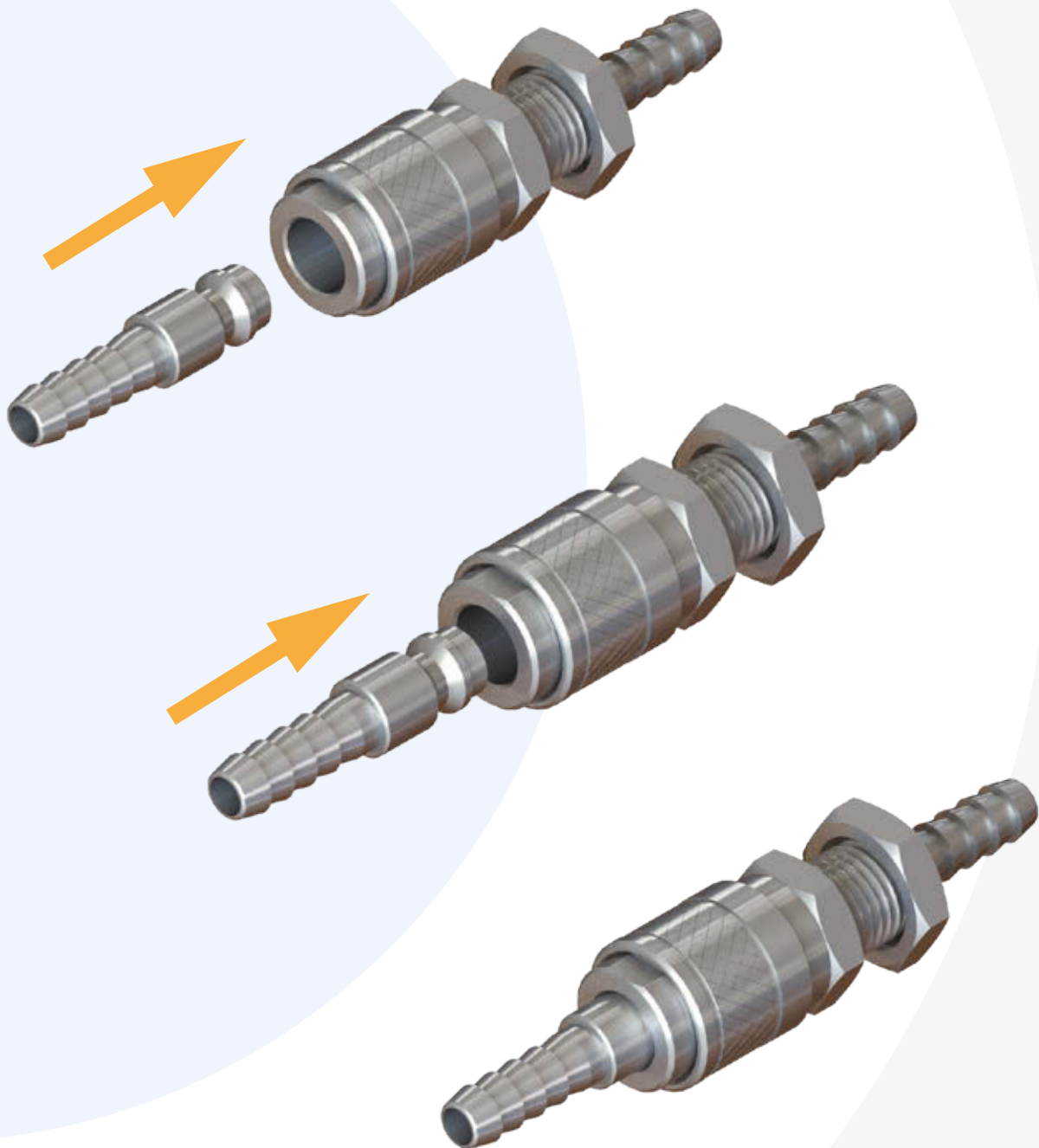
Vacuum to 232 psi (16 bar)

Material Options:

Body: Nickel Plated Brass, Stainless Steel, Polyacetal

O-ring: Buna-N & Viton

Spring: Stainless Steel



Metal Sliding Collar - Nickel Plated Brass

E-Q-160012 - Quick-Connect Coupling, Valved, Nickel Plated Brass Body, 4mm Hose Barb Socket



Technical Data

Max. Inlet Pressure: 35 bar (508 psi)

Connection 1: 4mm ID Tube

Connection 2: To mating Plug Connector

Mounting Style: In-Line

Wetted Materials: Nickel Plated Brass, 302 Stainless Steel, Buna-N

Non-wetted Materials: Nickel Plated Brass, 302 Stainless Steel, 420 Stainless Steel

Media/Ambient Temperature: -20°C to 80°C (-4°F to 176°F)

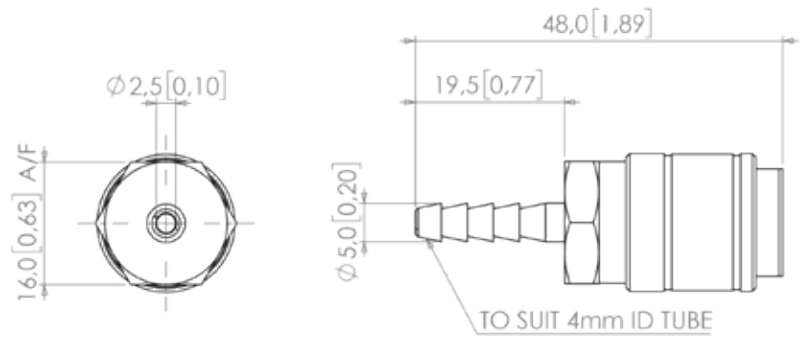
Recommended Filtration: Depending on application

RoHS/REACH Compliant: Yes

Other Technical Data: Nickel Plated Brass socket quick-connect coupling with shut off valve, 4mm hose barb with Buna-N seals. DN5 profile mates with Rectus 21 and Parker 90 series couplings.

Price starting from: £7.71

*Price breaks available for larger quantities



More from this range



6mm
In-Line
E-Q-160013



4mm - Bulkhead
Panel Mount
E-Q-160018



6mm - Bulkhead
Panel Mount
E-Q-160019

E-Q-160010 - Quick-Connect Coupling, Valved, Nickel Plated Brass Body, 6/4 mm Push-On Socket

Technical Data

Max. Inlet Pressure: 35 bar (508 psi)

Connection 1: PTF (Poly Tube Fitting) for 6.0mm OD, 4.0mm ID Semi-rigid Tube

Connection 2: To mating Plug Connector

Mounting Style: In-Line

Wetted Materials: Nickel Plated Brass, 302 Stainless Steel, Buna-N

Non-wetted Materials: Nickel Plated Brass, 302 Stainless Steel, 420 Stainless Steel

Media/Ambient Temperature: -20°C to 80°C (-4°F to 176°F)

Recommended Filtration: Depending on application

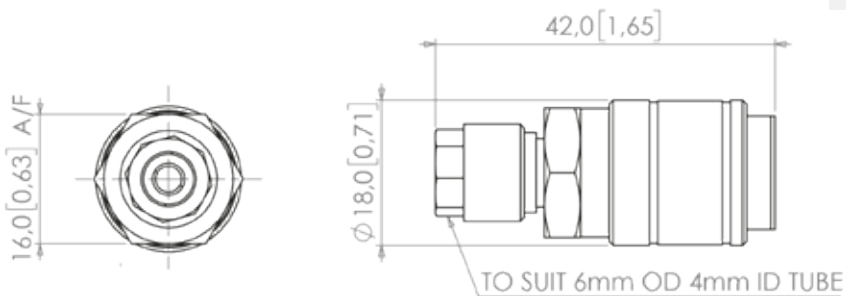
RoHS/REACH Compliant: Yes

Other Technical Data: Nickel Plated Brass socket quick-connect coupling with shut off valve, 6mm OD/4mm ID push-on fitting with Buna-N seals. DN5 profile mates with Rectus 21 and Parker 90 series couplings.



Price starting from: £8.20

*Price breaks available for larger quantities



More from this range



8/6mm
In-Line
E-Q-160011



6/4mm - Bulkhead
Panel Mount
E-Q-160016



8/6mm - Bulkhead
Panel Mount
E-Q-160017

Metal Sliding Collar - Nickel Plated Brass

E-Q-160006 - Quick-Connect Coupling, Valved, Nickel Plated Brass Body, 1/8" BSPP Male Threaded Socket



Technical Data

Max. Inlet Pressure: 35 bar (508 psi)

Connection 1: 1/8" BSPP Male Thread

Connection 2: To mating Plug Connector

Mounting Style: Threaded

Wetted Materials: Nickel Plated Brass, Stainless Steel 302, Buna-N
Non-wetted Materials: Nickel Plated Brass, Stainless Steel 302, Stainless Steel 420

Media/Ambient Temperature: -20°C to 80°C (-4°F to 176°F)

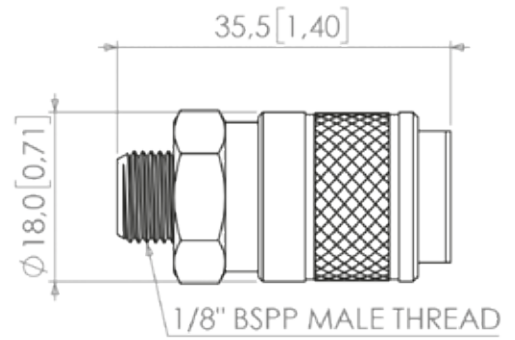
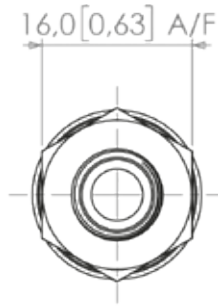
Recommended Filtration: Depending on application

RoHS/REACH Compliant: Yes

Other Technical Data: Nickel Plated Brass socket quick-connect coupling with shut off valve, 1/8" BSPP male thread with Buna-N seals. DN5 profile mates with Rectus 21 and Parker 90 series couplings.

Price starting from: £7.22

*Price breaks available for larger quantities



More from this range



1/8" BSPP
Female Thread
E-Q-160008



1/4" BSPP
Female Thread
E-Q-160009



1/4" BSPP
Threaded
E-Q-160007



1/8" BSPP - Bulkhead
Panel Mount
E-Q-160014



1/4" BSPP - Bulkhead
Panel Mount
E-Q-160015

E-Q-160020 - Nickel Plated Brass Plug Coupling, Non-Valved, 1/8" BSPP Male Thread

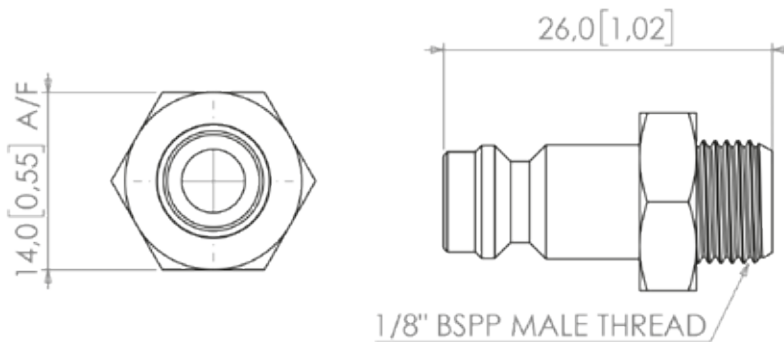
Technical Data

Max. Inlet Pressure: 35 bar (508 psi)
Connection 1: 1/8" BSPP Male Thread
Connection 2: To mating Socket Connector
Mounting Style: In-Line
Wetted Materials: Nickel Plated Brass
Non-wetted Materials: Nickel Plated Brass
Media/Ambient Temperature: -20°C to 80°C (-4°F to 176°F)
Recommended Filtration: Depending on application
RoHS/REACH Compliant: Yes
Other Technical Data: Nickel Plated Brass plug quick-connect coupling, 1/8" BSPP male thread. DN5 profile mates with Rectus 21 and Parker 90 series couplings.



Price starting from: £1.29

*Price breaks available for larger quantities



More from this range



**4mm Hose Barb
 In-Line
 E-Q-160026**



**6mm Hose Barb
 In-Line
 E-Q-160027**



**6/4mm Push-On
 In-Line
 E-Q-160024**



**8/6mm Push-On
 In-Line
 E-Q-160025**



**1/8" BSPP
 Female In-Line
 E-Q-160022**



**1/4" BSPP
 Male In-Line
 E-Q-160021**



**1/4" BSPP
 Female In-Line
 E-Q-160023**

Metal Sliding Collar - Sub-Miniature - Nickel Plated Brass

E-Q-160181 - Nickel Plated Brass Sub-Miniature Socket Coupling, Buna-N Seal, Valved, 1/8" BSPT Male Thread



Technical Data

Max. Inlet Pressure: 10.34 bar (150 psi)

Connection 1: 1/8" BSPT Male Thread

Connection 2: To mating Plug Connector

Mounting Style: Threaded

Wetted Materials: Nickel Plated Brass, Stainless Steel, Buna-N, Acetal

Non-wetted Materials: Nickel Plated Brass, Acetal

Media/Ambient Temperature: 0°C to 60°C (32°F to 140°F)

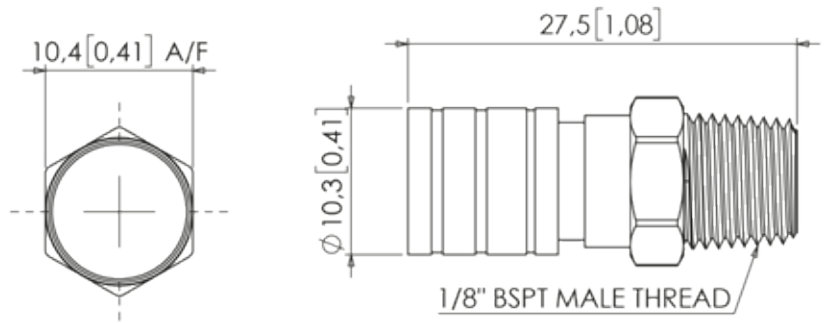
Recommended Filtration: 5 µm

RoHS/REACH Compliant: Yes

Other Technical Data: Sub-miniature Nickel Plated Brass quick-connect coupling socket with a 1/8" BSPT male thread and internal shut-off valve with Buna-N O-ring seals. Coupling will automatically shut-off the flow when disconnected. PLEASE NOTE: Miniature series and Sub-miniature series fittings are NOT interchangeable.

Price starting from: £9.07

*Price breaks available for larger quantities



More from this range



M5 Male
Threaded
E-Q-160180



M5 Male
Threaded - Elbow
E-Q-160182



4mm OD
In-Line
E-Q-160179



4mm OD
Push-In - Panel Mount
E-Q-160183

E-Q-160188 - Quick-Connect Miniature Straight Plug Coupling, Nickel Plated Brass, Non-Valved, 1/8" BSPT Male Threaded Connector

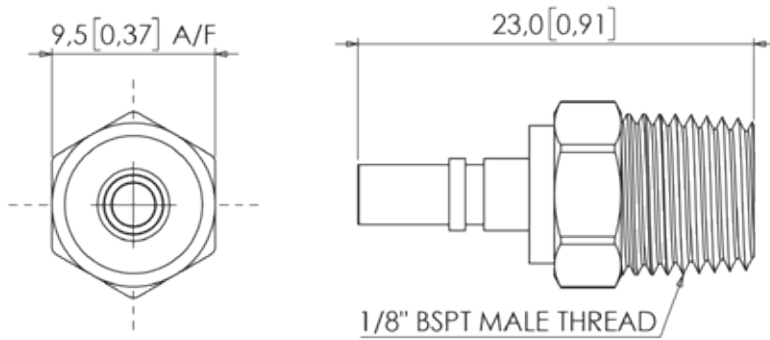
Technical Data

Max. Inlet Pressure: 10.34 bar (150 psi)
Connection 1: 1/8" BSPT Male Thread
Connection 2: To mating Socket Connector
Mounting Style: In-Line
Wetted Materials: Nickel Plated Brass
Non-wetted Materials: Nickel Plated Brass
Media/Ambient Temperature: 0°C to 60°C (32°F to 140°F)
Recommended Filtration: 5 µm
RoHS/REACH Compliant: Yes
Other Technical Data: Sub-miniature Nickel Plated Brass quick-connect coupling straight plug, Non-Valved with a 1/8" BSPT male thread. PLEASE NOTE: Miniature series and Sub-miniature series fittings are NOT interchangeable.



Price starting from: £1.75

*Price breaks available for larger quantities



More from this range



M5 Male
Threaded - Elbow
E-Q-160186



M5 Male
Threaded
E-Q-160187



4mm OD
In-Line
E-Q-160184



4mm OD
In-Line-Elbow
E-Q-160185

Metal Sliding Collar - Miniature - Nickel Plated Brass

E-Q-160191 - Nickel Plated Brass Miniature Socket Coupling, Buna-N Seal, Valved, 1/8" BSPT Male Thread



Technical Data

Max. Inlet Pressure: 10.34 bar (150 psi)

Connection 1: 1/8" BSPT Male Thread

Connection 2: To mating Plug Connector

Mounting Style: Threaded

Wetted Materials: Nickel Plated Brass, Stainless Steel, Buna-N, Acetal

Non-wetted Materials: Nickel Plated Brass

Media/Ambient Temperature: 0°C to 60°C (32°F to 140°F)

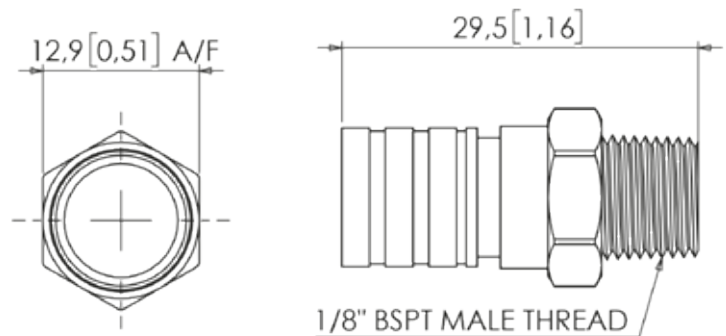
Recommended Filtration: 5 µm

RoHS/REACH Compliant: Yes

Other Technical Data: Miniature Nickel Plated Brass quick-connect coupling socket with a 1/8" BSPT male thread and internal shut-off valve with Buna-N O-ring seals. Coupling will automatically shut-off the flow when disconnected. PLEASE NOTE: Miniature series and Sub-miniature series fittings are NOT interchangeable.

Price starting from: £10.11

*Price breaks available for larger quantities



More from this range



M5 Male
Threaded
E-Q-160190



M5 Male
Threaded - Elbow
E-Q-160192



6mm OD
In-Line
E-Q-160189



6mm OD
Panel Mount
E-Q-160193

E-Q-160198 - Quick-Connect Miniature Straight Plug Coupling, Nickel Plated Brass, Non-Valved, 1/8" BSPT Male Threaded Connector

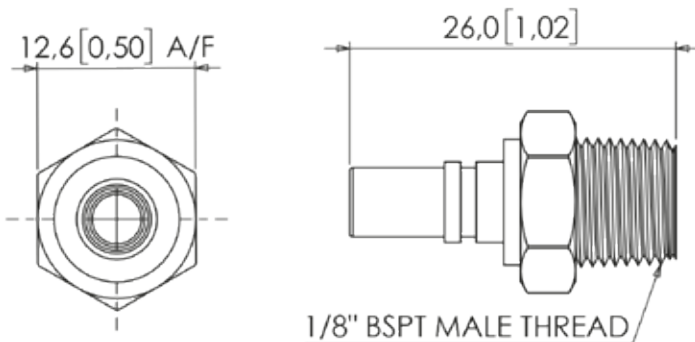
Technical Data

Max. Inlet Pressure: 10.34 bar (150 psi)
Connection 1: 1/8" BSPT Male Thread
Connection 2: To mating Socket Connector
Mounting Style: In-Line
Wetted Materials: Nickel Plated Brass
Non-wetted Materials: Nickel Plated Brass
Media/Ambient Temperature: 0°C to 60°C (32°F to 140°F)
Recommended Filtration: 5 µm
RoHS/REACH Compliant: Yes
Other Technical Data: Miniature Nickel Plated Brass quick-connect coupling straight plug, Non-Valved with a 1/8" BSPT male thread.
PLEASE NOTE: Miniature series and Sub-miniature series fittings are NOT interchangeable.



Price starting from: £1.96

*Price breaks available for larger quantities



More from this range



M5 Male
Threaded
E-Q-160197



M5 Male
In-Line
E-Q-160196



6mm OD
In-Line
E-Q-160194



6mm OD
In-Line-Elbow
E-Q-160195

Metal Sliding Collar - Nickel Plated Brass - Mini

E-Q-160214 - Quick-Connect Socket Coupling, Mini Profile, Nickel Plated Brass body, 1/8" (3.2mm) ID Hose Barb, Non-Valved

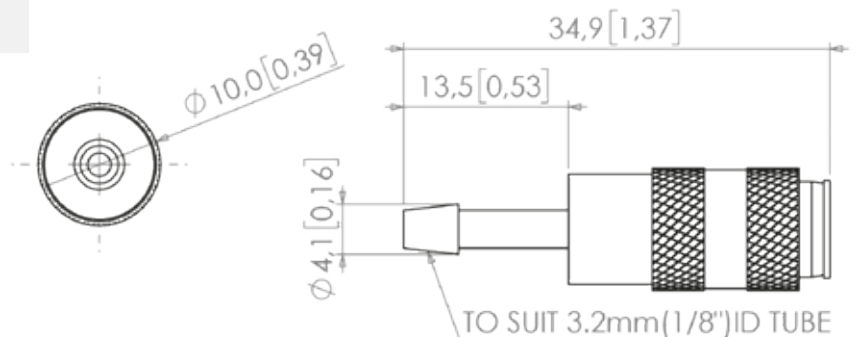


Technical Data

Max. Inlet Pressure: 16 bar (232 psi)
Connection 1: 1/8" (3.2mm) ID Tube
Connection 2: To mating Plug Connector
Mounting Style: In-Line
Wetted Materials: Nickel Plated Brass, Buna-N, Stainless Steel V2A
Non-wetted Materials: Nickel Plated Brass
Media/Ambient Temperature: -20°C to 100°C (-4°F to 212°F)
Recommended Filtration: Depending on application
RoHS/REACH Compliant: Yes
Other Technical Data: Nickel Plated Brass Socket quick-connect coupling, 1/8" (3.2mm) ID hose barb. Non-Valved. DN2.7 Mini profile mates with Rectus 20 and Festo KD-KS 2 series couplings.

Price starting from: £7.48

*Price breaks available for larger quantities



More from this range



5/32" ID
In-Line
E-Q-160215



4mm OD/3mm ID
In-Line
E-Q-160218



6mm OD/4mm ID
In-Line
E-Q-160219



M5 Male Thread
In-Line
E-Q-160206



M5 Female Thread
In-Line
E-Q-160210



1/8" BSPP Male
Thread - In-Line
E-Q-160207



1/8" BSPP Female
Thread - In-Line
E-Q-160211

E-Q-160216 - Quick-Connect Plug Coupling, Mini Profile, Nickel Plated Brass body, 1/8" (3.2mm) ID Hose Barb, Non-Valved

Technical Data

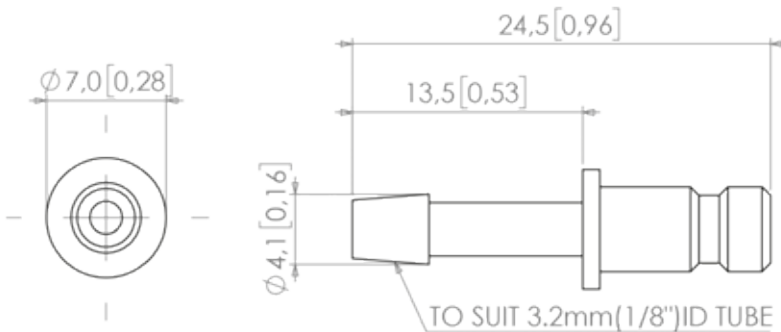
Max. Inlet Pressure: 16 bar (232 psi)
Connection 1: 1/8" (3.2mm) ID Tube
Connection 2: To mating Socket Connector
Mounting Style: In-Line
Wetted Materials: Nickel Plated Brass
Non-wetted Materials: Nickel Plated Brass
Media/Ambient Temperature: -20°C to 100°C (-4°F to 212°F)
Recommended Filtration: Depending on application
RoHS/REACH Compliant: Yes
Regulatory Information: ISO 80369-5
Other Technical Data: Nickel Plated Brass Plug quick-connect coupling, 1/8" (3.2mm) ID hose barb. Non-Valved. DN2.7 Mini profile mates with Rectus 20 and Festo KD-KS 2 series couplings.



Price starting from: £1.52

*Price breaks available for larger quantities

● ISO 80369-5



More from this range



5/32" ID
In-Line
E-Q-160217



4mm OD/3mm ID
In-Line
E-Q-160220



6mm OD/4mm ID
In-Line
E-Q-160221



M5 Male Thread
In-Line
E-Q-160208



M5 Female Thread
In-Line
E-Q-160212



1/8" BSPP Male
Thread - In-Line
E-Q-160209



1/8" BSPP Female
Thread - In-Line
E-Q-160213

Metal Sliding Collar - Nickel Plated Brass - Mini Imperial

E-Q-160236 - Quick Connect Socket x 1/8" NPT Male Thread, Non-Valved, Nickel Plated Brass

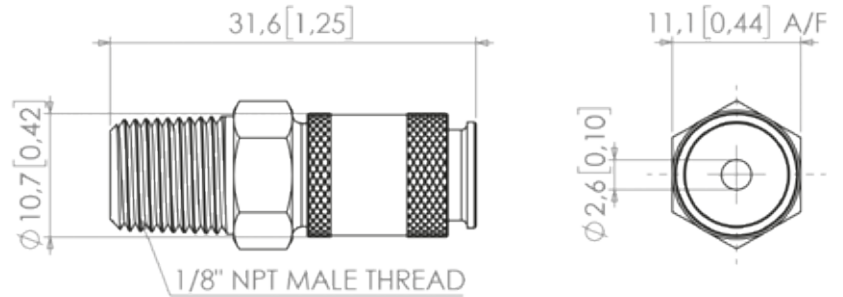


Technical Data

Max. Inlet Pressure: 3.1 bar (45 psi)
Connection 1: 1/8" NPT Male Thread
Connection 2: To mating Plug Connector
Mounting Style: In-Line
Wetted Materials: Nickel Plated Brass, Buna-N, 302 Stainless Steel
Non-wetted Materials: Nickel Plated Brass
Media/Ambient Temperature: -40°C to 200°C (-40°F to 392°F)
Recommended Filtration: Depending on application
RoHS/REACH Compliant: Yes
Other Technical Data: Nickel Plated Brass quick connect socket with 1/8" NPT male thread, Non-Valved. Suitable for compressed air and vacuum.

Price starting from: £9.57

*Price breaks available for larger quantities



More from this range



10-32 UNF - In-Line
E-Q-160235 - Male
E-Q-160237 - Female



1/8" In-Line
E-Q-160232



3/16" In-Line
E-Q-160234



3/32" Panel Mount
E-Q-160238



5/32" In-Line
E-Q-160233



1/8" Panel Mount
E-Q-160239



3/16" Panel Mount
E-Q-160241

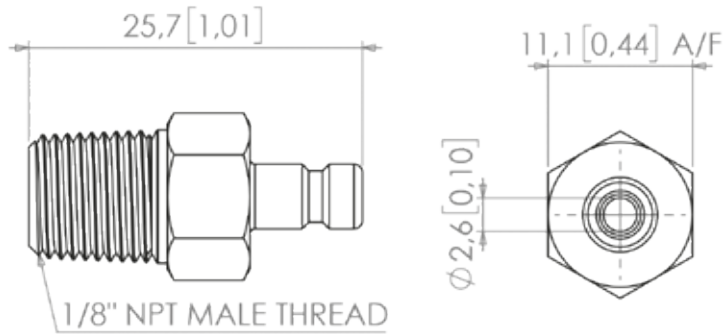


5/32" Panel Mount
E-Q-160240

E-Q-160226 - Quick Connect Plug x 1/8" NPT Male Thread, Non-Valved, Nickel Plated Brass

Technical Data

Max. Inlet Pressure: 3.1 bar (45 psi)
Connection 1: 1/8" NPT Male Thread
Connection 2: To mating Socket Connector
Mounting Style: In-Line
Wetted Materials: Nickel Plated Brass
Non-wetted Materials: Nickel Plated Brass
Media/Ambient Temperature: -40°C to 200°C (-40°F to 392°F)
Recommended Filtration: Depending on application
RoHS/REACH Compliant: Yes
Regulatory Information: ISO 80369-5
Other Technical Data: Nickel Plated Brass quick connect plug with 1/8" NPT male thread, Non-Valved. Suitable for compressed air and vacuum.



Price starting from: £3.37

*Price breaks available for larger quantities

ISO 80369-5

More from this range



10-32 UNF - In-Line
E-Q-160225 - Male
E-Q-160227 - Female



1/8" In-Line
E-Q-160222



3/16" In-Line
E-Q-160224



3/32" Panel Mount
E-Q-160228



5/32" In-Line
E-Q-160223



1/8" Panel Mount
E-Q-160229



3/16" Panel Mount
E-Q-160231



5/32" Panel Mount
E-Q-160230

Metal Sliding Collar - Stainless Steel

E-Q-160028 - Quick Connect Socket Coupling, Stainless Steel Body, 1/4" BSPT Male Thread, Valved

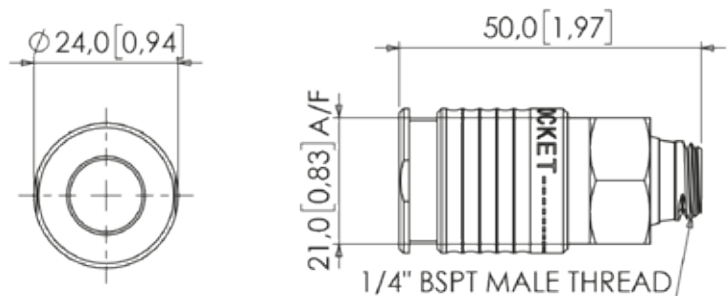


Technical Data

Max. Inlet Pressure: 35 bar (508 psi)
Connection 1: 1/4" BSPT Male Thread
Connection 2: To mating Plug Connector
Mounting Style: Threaded
Wetted Materials: Stainless Steel (316L, 302), Food Grade FKM
Non-wetted Materials: Stainless Steel 316L
Media/Ambient Temperature: -15°C to 200°C (-5°F to 392°F)
Recommended Filtration: 5 µm
RoHS/REACH Compliant: Yes
Other Technical Data: Stainless Steel socket quick-connect coupling with shut off valve, 1/4" BSPT male thread c/w food grade FKM packing seal. This socket can mate with 4 different standards of plugs whilst maintaining a perfect seal.

Price starting from: £86.45

*Price breaks available for larger quantities



E-Q-160029 - Quick-Connect Socket Coupling, Stainless Steel Body, 1/4" BSPP Female Threaded, Valved

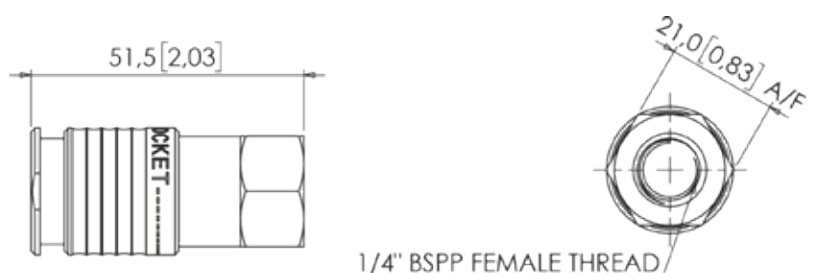


Technical Data

Max. Inlet Pressure: 35 bar (508 psi)
Connection 1: 1/4" BSPP Female Thread
Connection 2: To mating Plug Connector
Mounting Style: Threaded
Wetted Materials: 316L Stainless Steel
Non-wetted Materials: Stainless Steel 316L
Media/Ambient Temperature: -15°C to 200°C (-5°F to 392°F)
Recommended Filtration: 5 µm
RoHS/REACH Compliant: Yes
Other Technical Data: Stainless Steel socket quick-connect coupling with shut off valve, 1/4" BSPP female thread c/w food grade FKM packing seal. This socket can mate with 4 different standards of plugs whilst maintaining a perfect seal.

Price starting from: £86.45

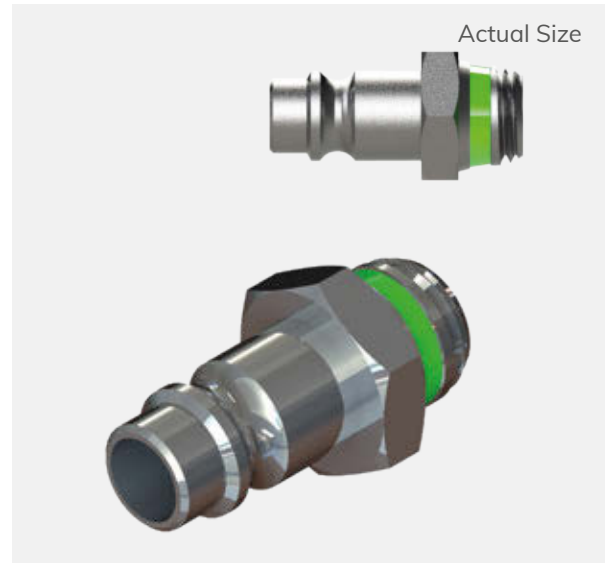
*Price breaks available for larger quantities



E-Q-160030 - Quick-Connect Plug Coupling, Stainless Steel Body, 1/4" BSPT Male Threaded, Non-Valved

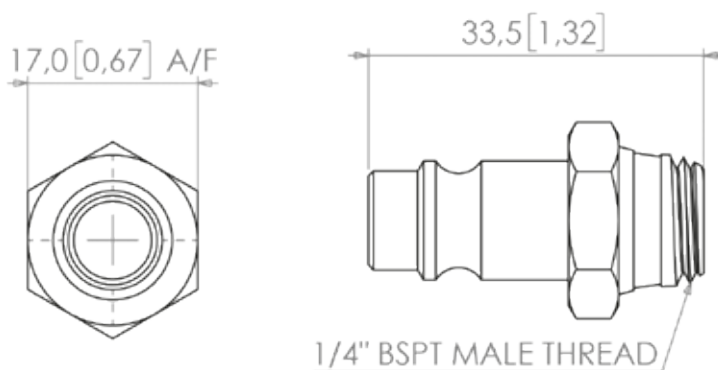
Technical Data

Max. Inlet Pressure: 35 bar (508 psi)
Connection 1: 1/4" BSPT Male Thread
Connection 2: To mating Socket Connector
Mounting Style: Threaded
Wetted Materials: 316L Stainless Steel, Food Grade FKM
Non-wetted Materials: 316L Stainless Steel
Media/Ambient Temperature: -15°C to 200°C (5° F to 392° F)
Recommended Filtration: 5 µm
RoHS/REACH Compliant: Yes
Other Technical Data: Stainless Steel plug quick-connect coupling, 1/4" BSPT male thread c/w food grade FKM packing seal.



Price starting from: £19.62

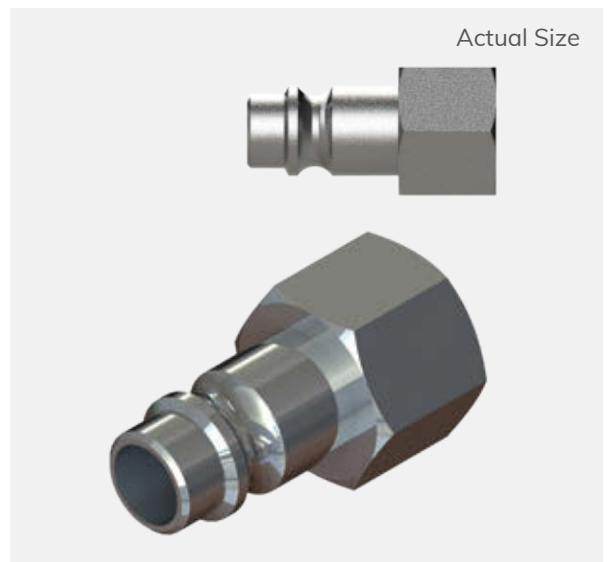
*Price breaks available for larger quantities



E-Q-160031 - Quick-Connect Plug Coupling, Stainless Steel Body, 1/4" BSPP Female Threaded, Non-Valved

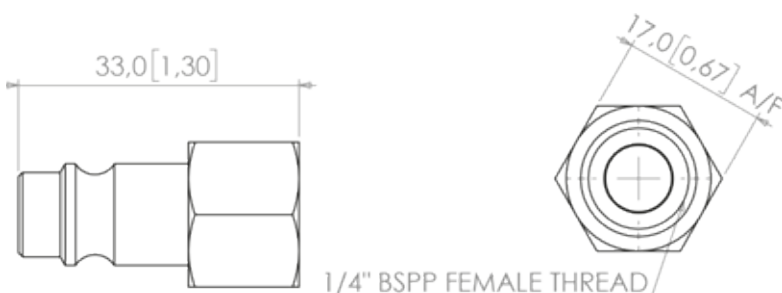
Technical Data

Max. Inlet Pressure: 35 bar (508 psi)
Connection 1: 1/4" BSPP Female Thread
Connection 2: To mating Socket Connector
Mounting Style: Threaded
Wetted Materials: 316L Stainless Steel
Non-wetted Materials: 316L Stainless Steel
Media/Ambient Temperature: -15°C to 200°C (5° F to 392° F)
Recommended Filtration: 5 µm
RoHS/REACH Compliant: Yes
Other Technical Data: Stainless Steel plug quick-connect coupling, 1/4" BSPP female thread c/w food grade FKM packing seal.



Price starting from: £18.84

*Price breaks available for larger quantities



Multiple Bulkhead



Key features include:

- Multi line connection in single unit
- Fast efficient operation
- Reduce installation time
- Separate flow paths
- Different pressure in each channel - pressure and or vacuum in one coupling
- Keyed to prevent misalignment
- Different key options available
- Different colour options available on request

What is a Multiple Bulkhead?

The multiple bulkhead coupling is ideal for connecting many media lines/bundle tubing, together at the same time. This allows for quick and easy swapping out of tooling/equipment, saving valuable downtime. Strong, but of lightweight anodised aluminium construction, they allow for easy handling, and a slide latch release allows for easy connection and disconnection of all lines simultaneously.

A keyed design prevents misconnection and misalignment, and independent transfer lines mean a mix of media and pressures can be used.

Operating Pressure:

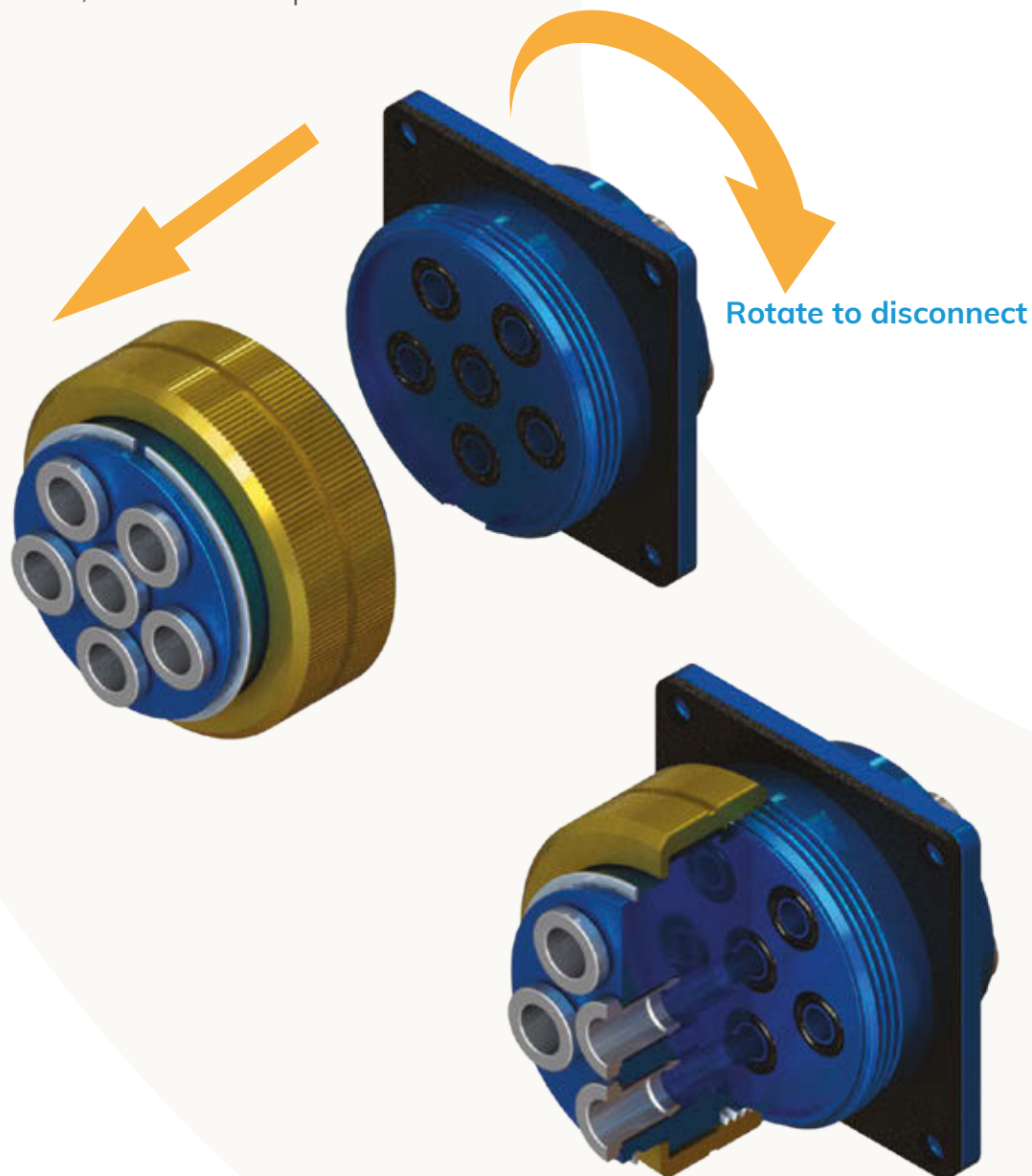
Vacuum to 125 psi (6.62 bar)

Material Options:

Body: Anodised Aluminium

Springs: EPDM

O-rings: Buna-N, EPDM - other options available



Metal Multiple Bulkhead - Aluminium

E-Q-160242 - 1.2" Series 4 Line Multi Coupling 1/8" (3.2mm) OD Push-In Fittings

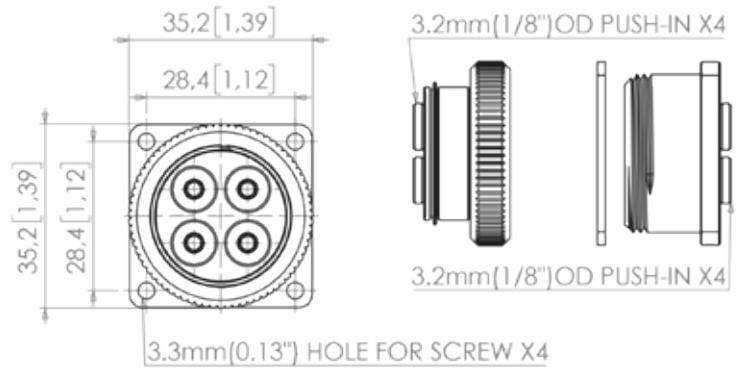


Technical Data

Max. Inlet Pressure: 8.62 bar (125 psi)
Connections: 1/8" (3.2mm) OD Push-in Fitting x4
Mounting Style: Panel Mount
Wetted Materials: Anodize Aluminium, Buna-N, Nickel Plated Brass, Brass
Non-wetted Materials: Anodize Aluminium, EPDM
Media/Ambient Temperature: -40°C to 125°C (-40°F to 257°F)
Recommended Filtration: Depending on application
RoHS/REACH Compliant: Yes
Other Technical Data: 1.2" series multiple bulkhead complete, comprising of separate plug and socket connectors. 4 way port configuration, 1/8" (3.2mm) OD push-in fittings. These bulkhead connectors are open flow only.

Price starting from: £71.37

*Price breaks available for larger quantities



More from this range



1.2" Series 4
5/32" OD Push-In
E-Q-160246



2.0" Series 10
1/8" OD Push-In
E-Q-160243



2.0" Series 12
1/8" OD Push-In
E-Q-160244



2.5" Series 19
1/8" OD Push-In
E-Q-160245



2.0" Series 10
5/32" OD Push-In
E-Q-160247



2.0" Series 12
5/32" OD Push-In
E-Q-160248



2.5" Series 19
5/32" OD Push-In
E-Q-160249



3.0" Series 24
5/32" OD Push-In
E-Q-160250

E-Q-160251 - 2.0" Series 6 Line Multi Coupling 1/4" (6.4mm) OD Push-In Fittings

Technical Data

Max. Inlet Pressure: 8.62 bar (125 psi)

Connections: 1/4" (6.4mm) OD Push-in Fitting x6

Mounting Style: Panel Mount

Wetted Materials: Anodize Aluminium, Buna-N, Nickel Plated Brass, Brass

Non-wetted Materials: Anodize Aluminium, EPDM

Media/Ambient Temperature: -40°C to 125°C (-40°F to 257°F)

Recommended Filtration: Depending on application

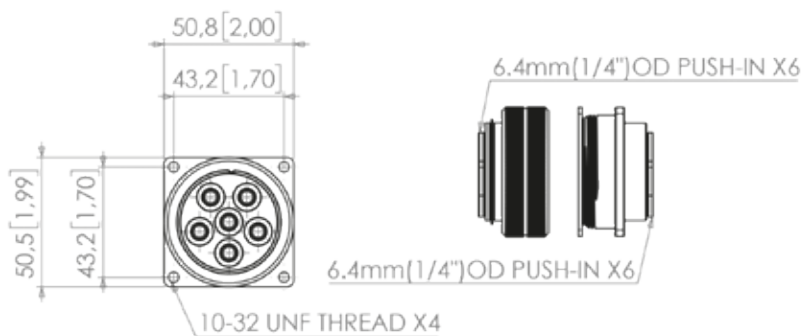
RoHS/REACH Compliant: Yes

Other Technical Data: 2.0" series multiple bulkhead complete, comprising of separate plug and socket connectors. 6 way port configuration, 1/4" (6.4mm) OD push-in fittings. These bulkhead connectors are open flow only.



Price starting from: £119.41

*Price breaks available for larger quantities



More from this range



2.0" Series 8
1/4" OD Push-In
E-Q-160252



2.5" Series 12
1/4" OD Push-In
E-Q-160253



3.0" Series 19
1/4" OD Push-In
E-Q-160254



3.0" Series 22
1/4" OD Push-In
E-Q-160255

Metal Multiple Bulkhead - Aluminium

E-Q-160261 - 2.0" Series 4 Line Multi Coupling 1/8" NPT Female Thread Fittings

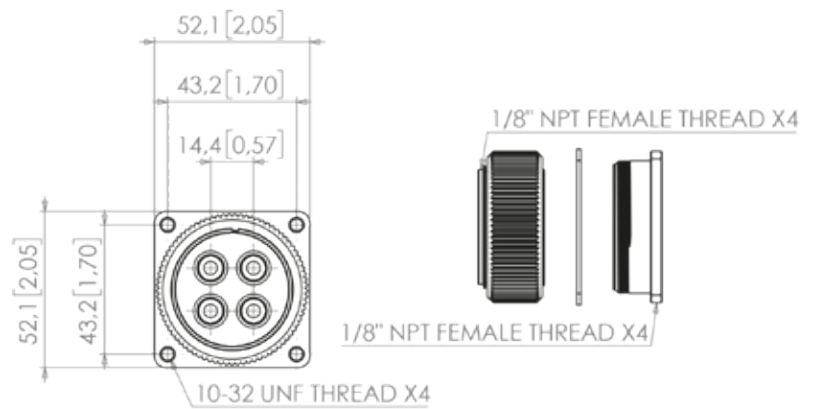


Technical Data

Max. Inlet Pressure: 8.62 bar (125 psi)
Connections: 1/8" NPT Female Thread x4
Mounting Style: Panel Mount
Wetted Materials: Anodize Aluminium, Buna-N
Non-wetted Materials: Anodize Aluminium, EPDM
Media/Ambient Temperature: -40°C to 125°C (-40°F to 257°F)
Recommended Filtration: Depending on application
RoHS/REACH Compliant: Yes
Other Technical Data: 2.0" series multiple bulkhead complete, comprising of separate plug and socket connectors. 4 way port configuration, 1/8" NPT female thread fittings. These bulkhead connectors are open flow only.

Price starting from: £105.03

*Price breaks available for larger quantities



More from this range



2.5" Series 5, 1/4" NPT Female Thread
E-Q-160266



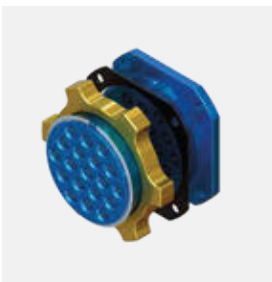
2.5" Series 6, 1/8" NPT Female Thread
E-Q-160262



2.5" Series 9, 1/8" NPT Female Thread
E-Q-160263



3.0" Series 12, 1/8" NPT Female Thread
E-Q-160264



3.0" Series 19, 1/8" NPT Female Thread
E-Q-160265



3.0" Series 8, 1/4" NPT Female Thread
E-Q-160267

E-Q-160256 - 1.0" Series 4 Line Multi Coupling M5 Female Thread Fittings

Technical Data

Max. Inlet Pressure: 8.62 bar (125 psi)

Connections: M5 Female Thread x4

Mounting Style: Panel Mount

Wetted Materials: Anodize Aluminium, Buna-N

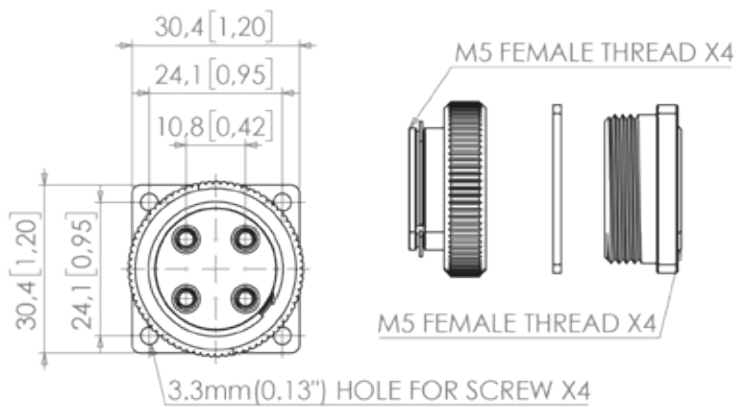
Non-wetted Materials: Anodize Aluminium, EPDM

Media/Ambient Temperature: -40°C to 125°C (-40°F to 257°F)

Recommended Filtration: Depending on application

RoHS/REACH Compliant: Yes

Other Technical Data: 1.0" series multiple bulkhead complete, comprising of separate plug and socket connectors. 4 way port configuration, M5 female thread fittings. These bulkhead connectors are open flow only.



Price starting from: £21.07

*Price breaks available for larger quantities

More from this range



2.0" Series 8,
M5 Female Thread
E-Q-160257



2.0" Series 12,
M5 Female Thread
E-Q-160258



2.0" Series 16,
M5 Female Thread
E-Q-160259



2.0" Series 19,
M5 Female Thread
E-Q-160260

Metal Multiple Bulkhead - Aluminium

E-Q-160691 - 2.0" Series 6 Line Multi Coupling 6mm OD Push-In Fittings



Technical Data

Max. Inlet Pressure: 8.62 bar (125 psi)

Connections: 6mm OD Push-in Fitting x6

Mounting Style: Panel Mount

Wetted Materials: Anodize Aluminium, Buna-N, Nickel Plated Brass, Brass

Non-wetted Materials: Anodize Aluminium, EPDM

Media/Ambient Temperature: -40°C to 125°C (-40°F to 257°F)

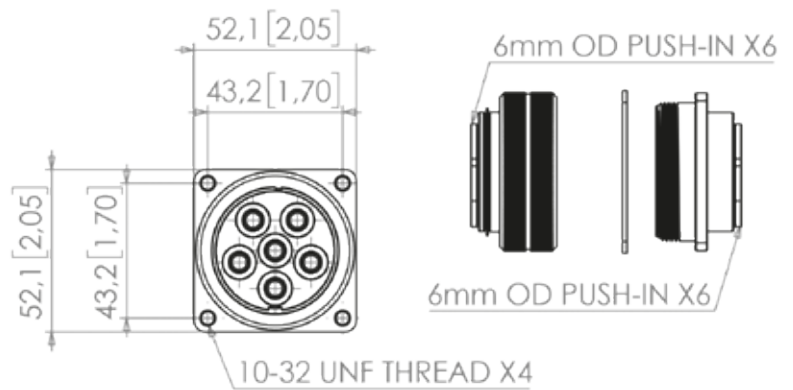
Recommended Filtration: Depending on application

RoHS/REACH Compliant: Yes

Other Technical Data: 2.0" series multiple bulkhead complete, comprising of separate plug and socket connectors. 6 way port configuration, 6mm OD push-in fittings. These bulkhead connectors are open flow only.

Price starting from: £119.41

*Price breaks available for larger quantities



More from this range



2.0" Series 8,
6mm OD Push-In
E-Q-160692



2.5" Series 12,
6mm OD Push-In
E-Q-160693



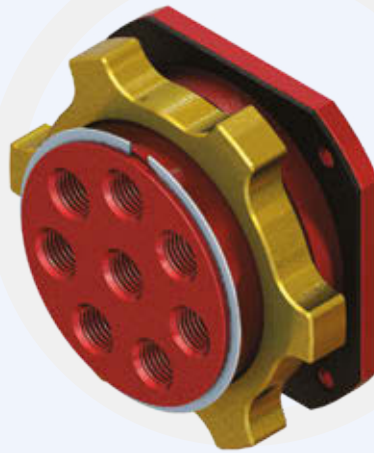
3.0" Series 19,
6mm OD Push-In
E-Q-160694



3.0" Series 22,
6mm OD Push-In
E-Q-160695

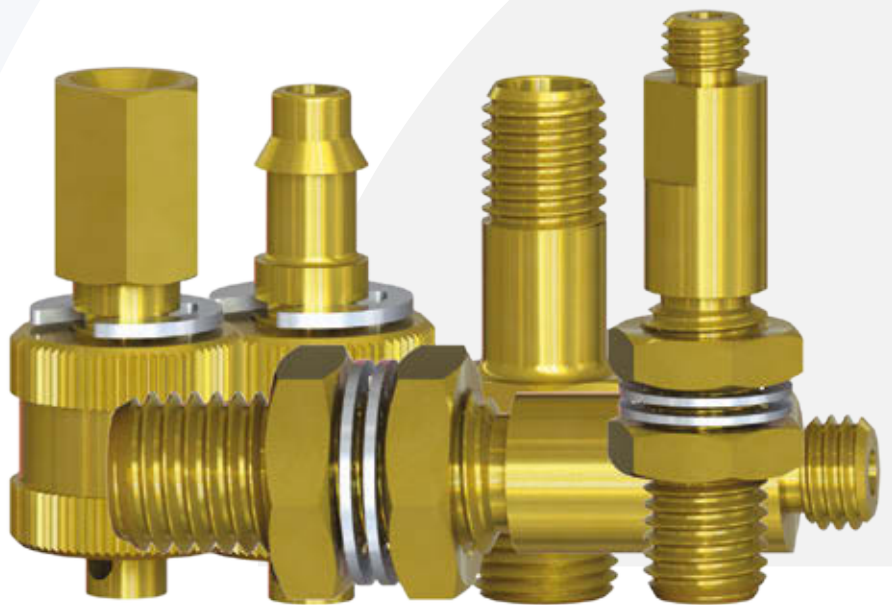
Want a Different Colour?

We can offer these couplings in multiple colours



- We offer these bulkhead couplings in blue as a standard option but we can offer other colours such as red, green and gold - MOQ applies
- Contact us for more details or a sample sales@eoxshop.com

Screw Type



Key features include:

- One-handed disconnection
- Resistant to most chemicals and suitable for industrial and medical applications
- Valved/Non-Valved options available
- High pressure working range
- High and Low temperature working range
- Attractive appearance
- Aesthetic plating options
- Non-corrosive

What is a Screw Type?

Screw type couplings are designed to lock connectors together using a male and female thread. The couplings are coupled by simply screwing the socket and plug together until the stop is reached.

Suitable for bespoke applications where the connection is required to be maintained and not disconnected often.

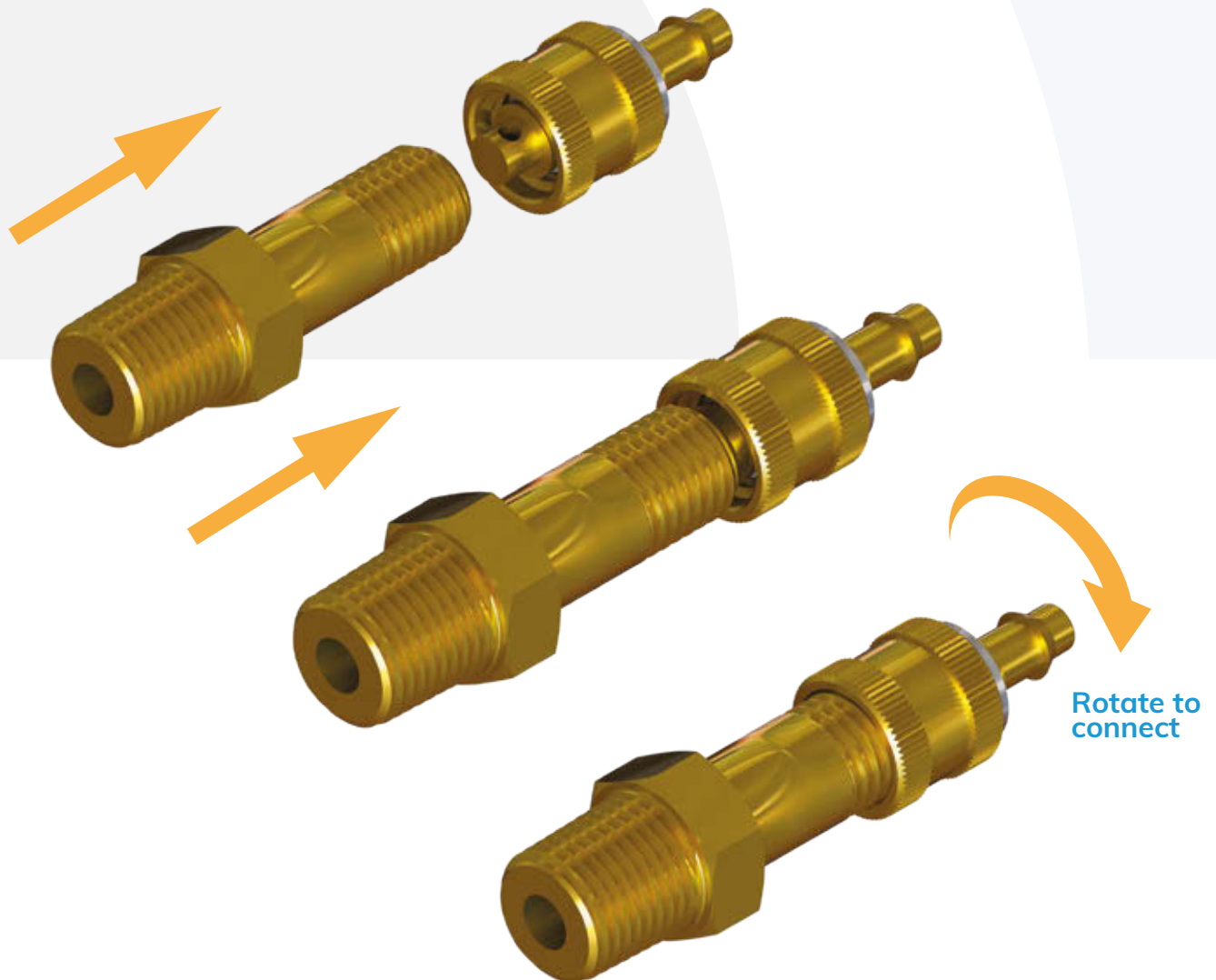
Operating Pressure:

0 psi - 304 psi (0-21 bar)

Material Options:

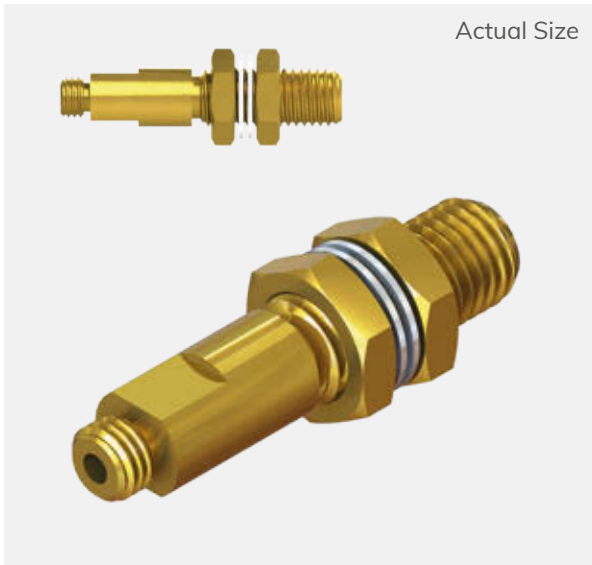
Body: Brass, Delrin

O-ring: Buna-N (other O-ring material options available)



Screw Type - Brass

E-Q-160032 - Brass Screw Type Quick-Connect Body, 10-32 UNF Male Thread, Valved

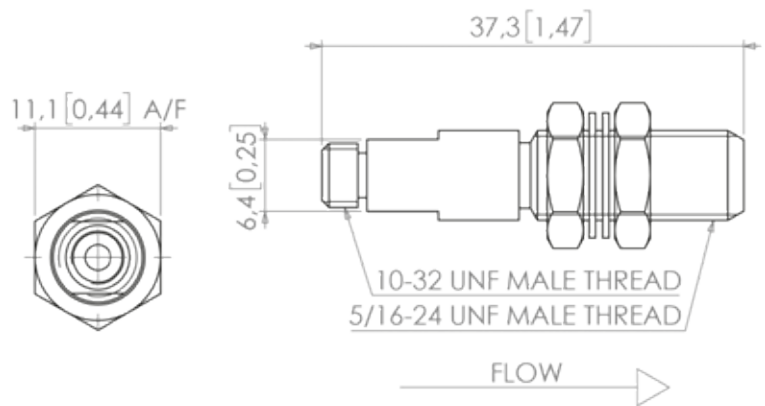


Technical Data

Max. Inlet Pressure: 21 bar (300 psi)
Connection 1: 10-32 UNF Male Thread
Connection 2: 5/16-24 UNF Male Thread
Mounting Style: Panel Mount
Wetted Materials: Brass, Acetal, Buna-N
Non-wetted Materials: Brass
Media/Ambient Temperature: 0°C to 80°C (32°F to 180°F)
Recommended Filtration: Depending on application
RoHS/REACH Compliant: Yes
Other Technical Data: Brass Screw Type Quick-Connect Body with shut off valve, end with 10-32 UNF male thread. In panel or bracket to 1/4" thick with two 7/16" mounting nuts and two lockwashers furnished.

Price starting from: £5.33

*Price breaks available for larger quantities



More from this range



10-32 UNF
Female Thread
E-Q-160033



1/8-27 NPT
Male Thread
E-Q-160034

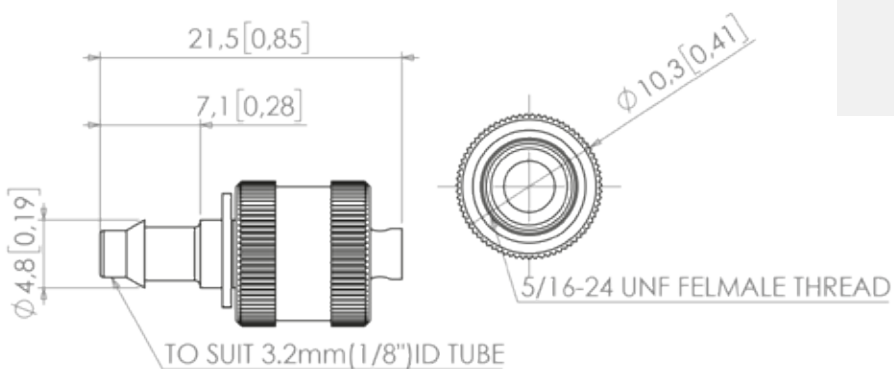
E-Q-160035 - Brass Screw Type Quick-Connect Cap, 1/8" (3.2mm) ID Hose Barb

Technical Data

Max. Inlet Pressure: 10 bar (150 psi)
Connection 1: 1/8" (3.2mm) ID Tube
Connection 2: 5/16-24 UNF Male Thread
Mounting Style: In-Line
Wetted Materials: Brass, Buna-N
Non-wetted Materials: Brass
Media/Ambient Temperature: 0°C to 80°C (32°F to 180°F)
Recommended Filtration: Depending on application
RoHS/REACH Compliant: Yes
Other Technical Data: Brass Screw Type Quick-Connect Cap. 3.2mm (1/8") ID hose barb with Nitrile seals.



Price starting from: £4.83 *Price breaks available for larger quantities



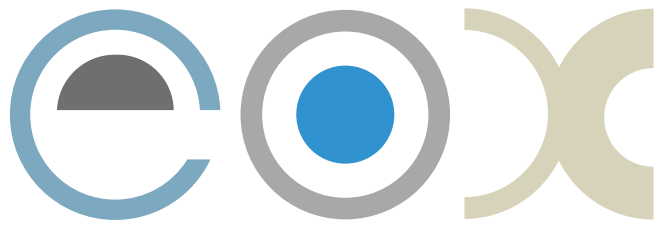
More from this range



1/16" ID
In-Line
E-Q-160036



10-32 UNF Thread
In-Line
E-Q-160037



fluid control
components

E: sales@eoxshop.com

W: eoxshop.com

Eox v1